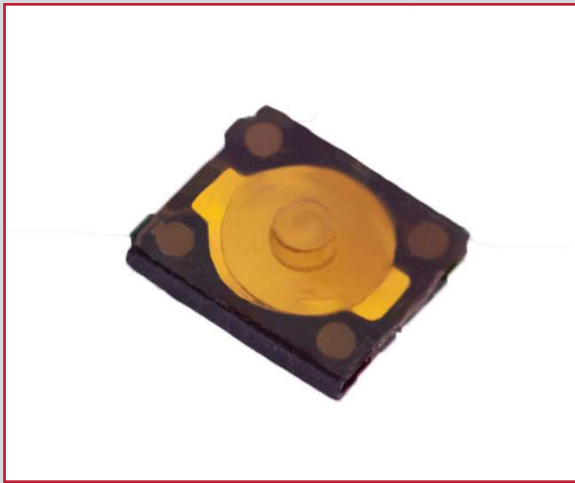


TL3701 SERIES TACT SWITCH

ANTI-VANDAL SWITCHES
 DETECTOR SWITCHES
 DIP SWITCHES
 KEYLOCK SWITCHES
 NAVIGATION SWITCHES
 PUSHBUTTON SWITCHES
 ROCKER SWITCHES
 ROTARY SWITCHES
 SLIDE SWITCHES
 SNAP ACTION SWITCHES
TACTILE SWITCHES
 TOGGLE SWITCHES
 CAP OPTIONS



APPLICATIONS / MARKETS



Wearable Electronics



Computer Peripherals



Consumer Electronics



Instrumentation



Telecommunication



Handheld Devices

RoHS

SPECIFICATIONS

Electrical Rating: 50mA @ 12VDC
Life Expectancy: up to 100,000 Cycles
Contact Resistance: 500mΩ Max.
Insulation Resistance: 100MΩ Min. at 500VDC
Dielectric Strength: 250VAC for 1 Minute
Operating Temperature: -40°C to 85°C Min.
Operating Force: 100gf and 160gf
Travel: 0.15mm
Function: SPST, Off-(On)

FEATURES & BENEFITS

- 3.0mm (W) x 2.6mm (L) x 0.65mm (H) dimensions
- Up to 100,000 cycle life expectancy
- 100gf and 160gf options

PART NUMBER CONFIGURATOR

Series	Model	Actuator Option	Actuation Force	Contact Material	Termination
<input type="text" value="TL"/>	<input type="text" value="3701"/>	<input type="text" value="A - 0.65mm"/>	<input type="text" value="F100 - 100gf"/> <input type="text" value="F160 - 160gf"/>	<input type="text" value="Q - Silver"/>	<input type="text" value="G"/>

Specifications subject to change without notice 8.21.2019



E-SWITCH®

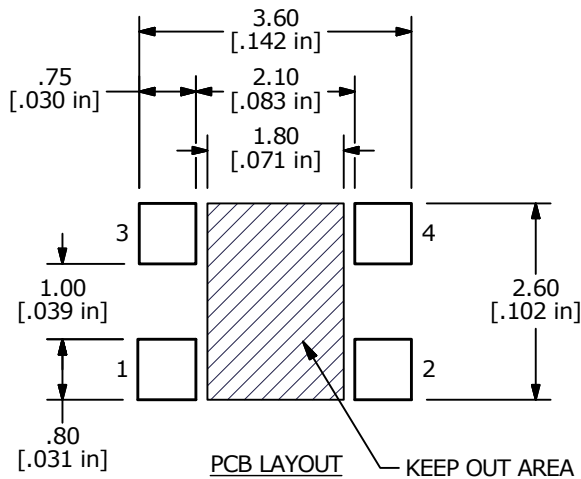
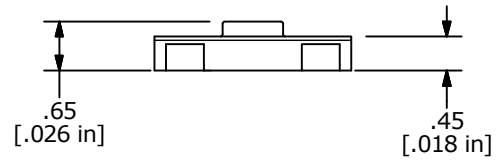
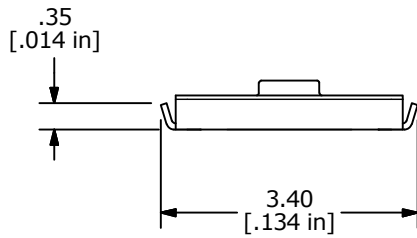
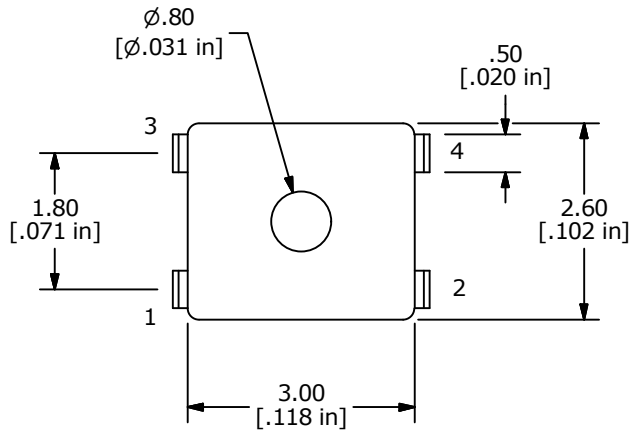
www.e-switch.com

800.867.2717

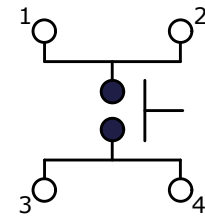
1

TL3701 SERIES TACT SWITCH

BODY DIMENSIONS



SURFACE MOUNT PCB LAYOUT



CIRCUIT: SPST

SCHEMATIC

- ANTI-VANDAL SWITCHES
- DETECTOR SWITCHES
- DIP SWITCHES
- KEYLOCK SWITCHES
- NAVIGATION SWITCHES
- PUSHBUTTON SWITCHES
- ROCKER SWITCHES
- ROTARY SWITCHES
- SLIDE SWITCHES
- SNAP ACTION SWITCHES
- TACTILE SWITCHES**
- TOGGLE SWITCHES
- CAP OPTIONS

