



# Application Tooling

PERISHABLE TOOLING FOR: T-8367-C (22 - 24 AWG) **H-40-2159**

**Rev A**

TERMINAL # X41951			
Order #	Engr.#	Req.	Description
11-40-4392	8341-15	1	Conductor Punch
11-40-4393	8341-16	1	Conductor Anvil
11-40-4376	8341-2	1	Insulation Punch
11-40-4377	8341-3	1	Insulation Anvil
11-24-1105	6116-1	1	Cut-Off Plunger, Front
11-40-4779	8367-5	1	Cut-Off Blade
11-40-4379	8341-5	1	Cut-Off Plunger, Rear
11-40-3154	K-8367-C	Tool kit complete (ALL ABOVE ITEMS)	
SPECIFICATIONS			
INSULATION DIA. (MAX.)		$\frac{.064}{(1,63MM)}$	WIRE STRIP LENGTH
			$\frac{.125 - .140}{(3,17 - 3,56MM)}$
WIRE GA.	CONDUCTOR CRIMP HEIGHT		PULL OFF FORCE
22	.033 - .035 (0,84 - 0,89MM)		10# (4,54 kg)
24	.030 - .032 (0,76 - 0,81MM)		8# (3,63 kg)

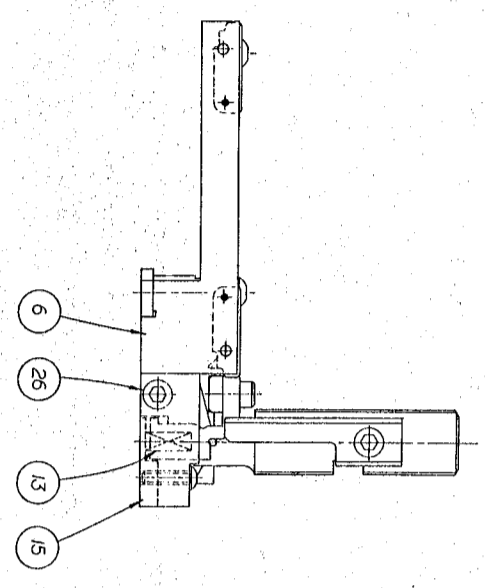
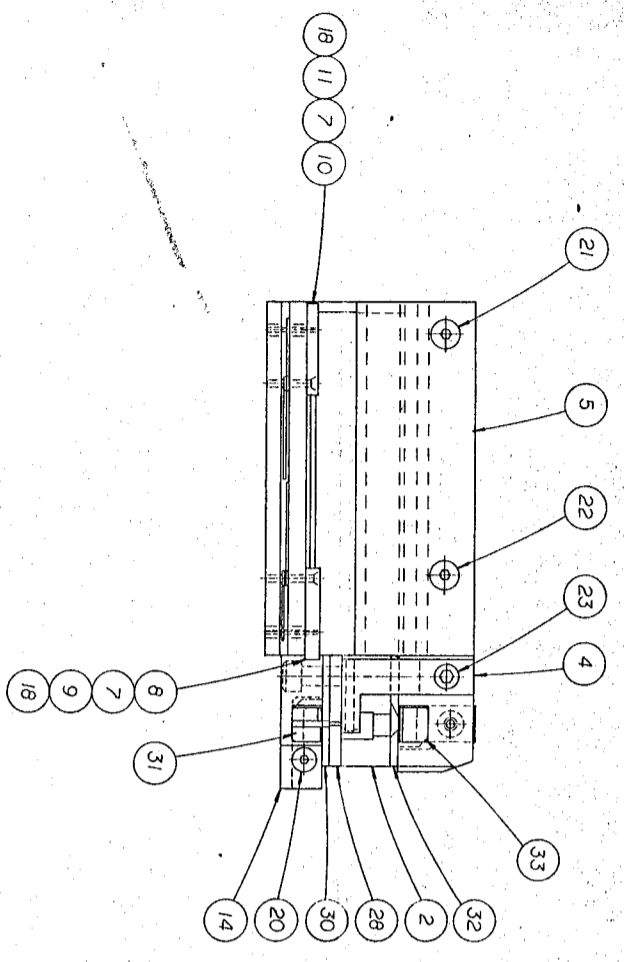
- CUSTOMER LOG FOR MACHINE SETTINGS -

WIRE GA.	WIRE SETTING	INSULATION DIA./COLOR	INSUL. SETTING	FEED POSITION

WE RECOMMEND THAT AN EXTRA SET OF PERISHABLE TOOLING FOR THIS

TERMINAL BE MAINTAINED IN YOUR FACILITY

PART NO. 11-40-2159  
 ENG. NO. T-8367-C



④

EDP. NO.	ITEM SIZE	ENG. NO.	DESCRIPTION	REQ'D
11-40-4380	1	8341-6	CUT OFF PLUNGER STRIKER, REAR	
11-40-4734	2	8367-4	SPACER	
11-40-4778	3	8367-6	TERMINAL HOLD DOWN	
11-40-4383	4	8341-9	WIRE STOP	1 EA.
11-40-4735	5	8367-2	REAR COVER	
11-40-4736	6	8367-1	TERMINATOR BASE & TRACK	
11-40-4069	7	8302-103	PIVOT PIN	2
11-40-4193	8	8326-19	STOP FINGER	
11-40-4145	9	8302-111	TORSION SPRING (STOP FINGER)	
11-40-4068	10	8302-102	DRAG FINGER	1 EA.
11-40-4144	11	8302-110	TORSION SPRING	
11-40-4039	12	8302-5	PLUNGER STRIKER, FRONT	
11-24-1067	13	4996-4	CUT OFF PLUNGER SPRING	2
11-40-4172	14	8303-7	C/O PLUNGER RETAINER	
11-24-1079	15	4996-11	SPRING PLATE, FRONT	
11-17-0022	16	1739-21	TERMINAL HOLD DOWN SPRING	1 EA.
11-40-4737	17	8367-3	SPRING PLATE, REAR	
	18		3/64" SPIROL PIN X .62 LONG	2
	19		#5-40 X 3/8 LG. F.H.C.S.	
	20		#6-32 X 1/2 LG. B.H.C.S.	
	21		#8-32 X 3/8 LG. B.H.C.S.	
	22		#8-32 X 1/2 LG. B.H.C.S.	
	23		#8-32 X 5/8 LG. S.H.C.S.	1 EA.
	24		#10-32 X 3/8 LG. S.H.C.S.	
	25		#10-32 X 1/2 LG. S.H.C.S.	
	26		#10-32 X 1/2 LG. S.H.C.S.	

⑤

PERISHABLE TOOLING				
11-40-4392	27	8341-15	CONDUCTOR PUNCH	
11-40-4393	28	8341-16	CONDUCTOR ANVIL	
11-40-4376	29	8341-2	INSULATION PUNCH	
11-40-4377	30	8341-3	INSULATION ANVIL	
11-24-1105	31	6116-1	CUT OFF PLUNGER, FRONT	1 EA.
11-40-4779	32	8367-5	CUT OFF BLADE	
11-40-4379	33	8341-5	CUT OFF PLUNGER REAR	
11-40-3154		K-8367-C	TOOL KIT (ALL ABOVE ITEMS)	

TERMINATOR ASSEMBLY FOR  
 TERMINAL X-41951 (22-24 AWG)

MOLEX INCORPORATED  
 SHEET NO. 11-26-87

11-40-2159  
 T-8367-C D

REVISIONS

NO.	DATE	DESCRIPTION
1		