

Me 130 Motor Pack-5V/10000RPM

SKU:12803 Weight:46.00 Gram

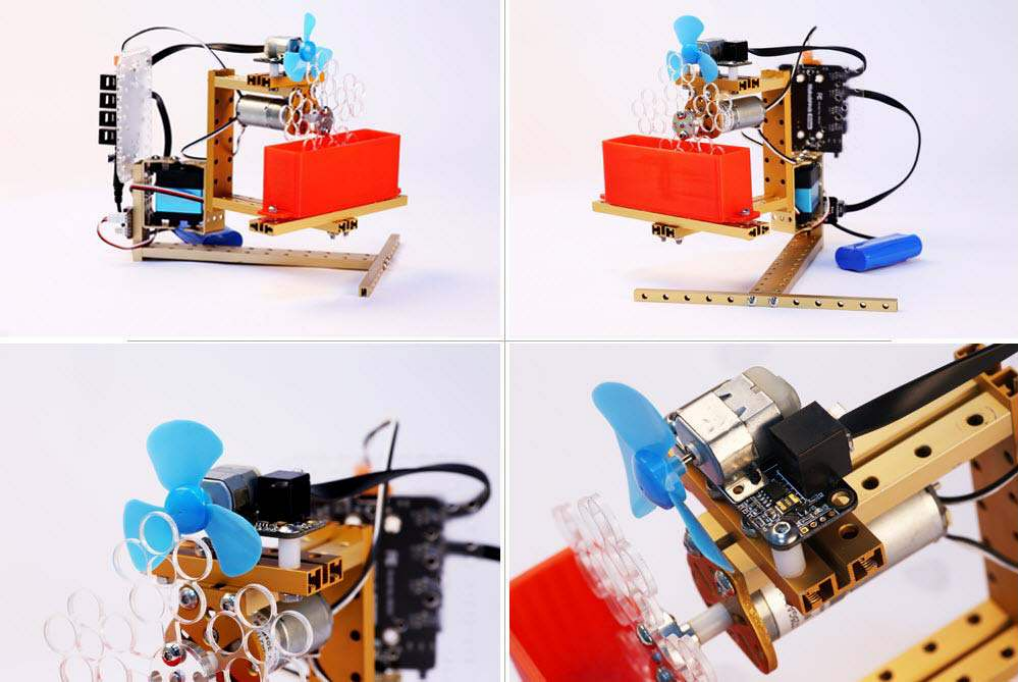
What is Me 130 Motor Pack?

This module is the updated version of the previous Me 130 motor. It has the same dimension as before but now is added a RJ25 port and motor drive chip. The module does not require motor driver port as it can rotate with dual-digital port. It supports Arduino but not the mBlock of mBot.

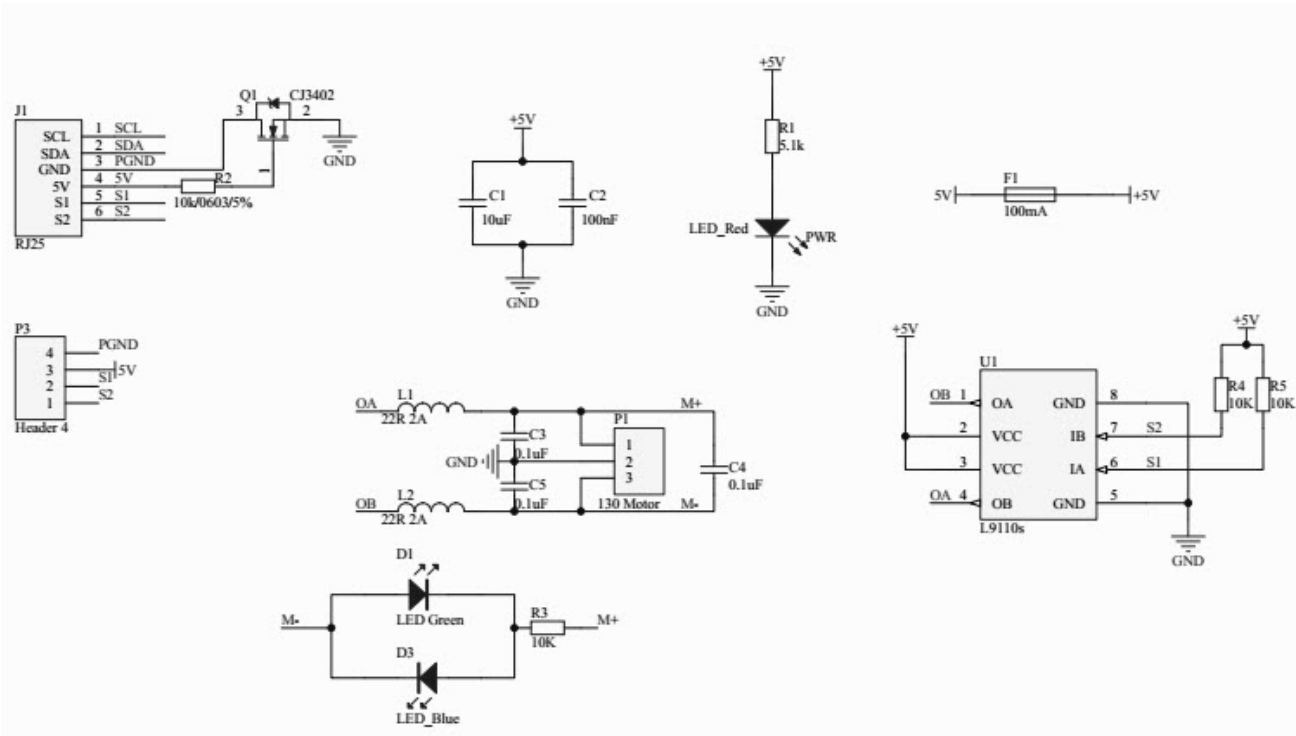
Features

- ? Driving motor with 5V voltage;
- ? Support clockwise and anti-clockwise rotation;
- ? Over-current and anti-reverse protection;
- ? Equipped with LG9110 motor drive chip;
- ? 10000RPM no-load speed with 5V voltage.

Building Examples:



Schematic Diagram:



Specifications

Reduction Ratio	0
Rated Voltage	DC 5V
No Load Current	90±10% mA
Load Current	<800mA
NO Load Speed	10000±10%rpm
Working Temperature	-10°C~50°C
Working Humidity	5%~85%RH

Product Information

SKU	12803
Product Name	Me 130 Motor Pack-5V/10000RPM
Package content	1 x Socket Cap Screw M4*8-Button Head - stainless steel (four pieces) 1 x Nylon Stud M4*30 - white nylon (four pieces) 1 x 6P6C cable-20cm-black 1 x 5V 130 motor V1.0 1 x Mini fan (yellow)
Package Dimension	110 x 150 x 10 mm (4.33 x 5.91 x 0.39 inch)
Net Weight	42g (1.48oz)
Gross Weight	46g (1.62oz)

<https://store.makeblock.com/me-130-motor-pack-5v-10000rpm> 8-6-18