

1658723-2 ✓ ACTIVE

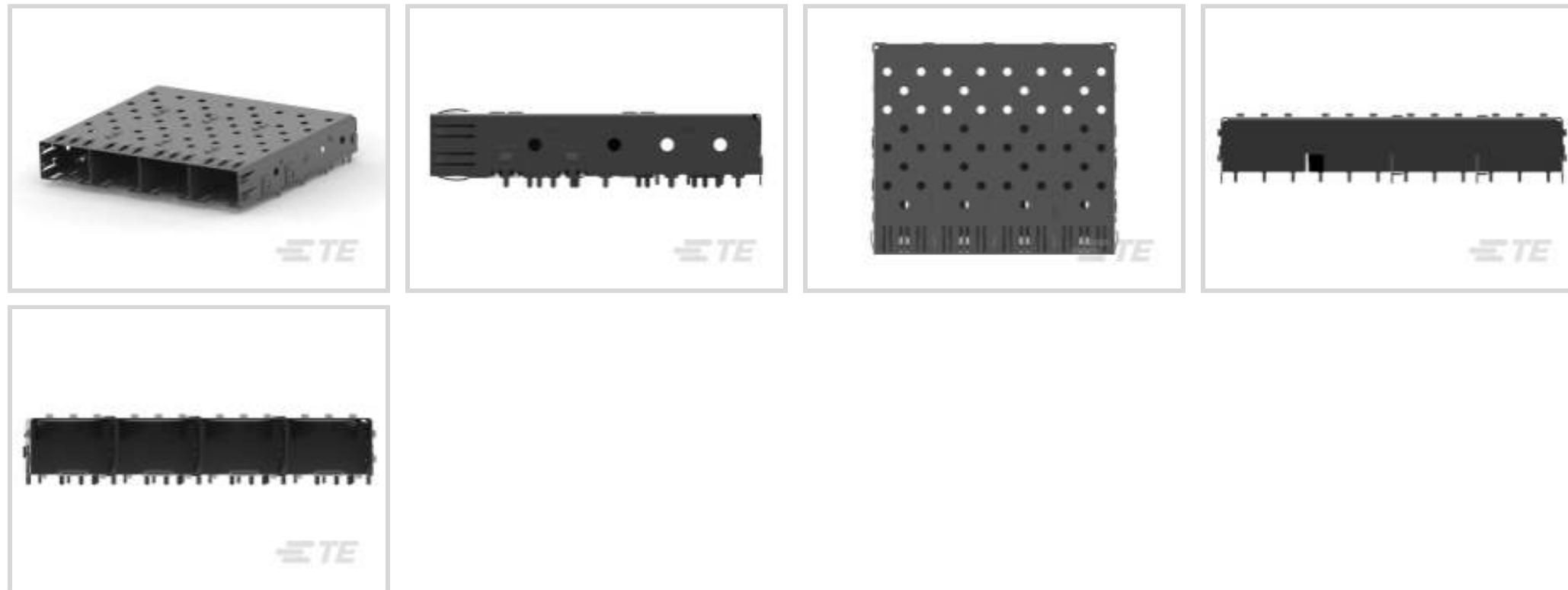
TE Internal #: 1658723-2

SFP, SFP+ & zSFP+, Cage Assembly, Data Rate (Max) 4 Gb/s,  
Internal/External EMI Springs, SFP, Not Optional, 1 x 4, Through  
Hole - Press-Fit, 4 Port

[View on TE.com >](#)



Connectors > Pluggable IO Connectors & Cages > SFP, SFP+ & zSFP+



Pluggable I/O Product Type: **Cage Assembly**

Data Rate (Max): **4 Gb/s**

EMI Containment Feature Type: **Internal/External EMI Springs**

Pluggable I/O Applications: **SFP**

Lightpipe Options: **Not Optional**

## Features

### Product Type Features

Form Factor	SFP
Cage Type	Stacked
Pluggable I/O Product Type	Cage Assembly
Lightpipe Options	Not Optional
Connector System	Cable-to-Board
Sealable	No
Connector & Contact Terminates To	Printed Circuit Board

### Configuration Features

Port Matrix Configuration	1 x 4
Number of Ports	4

### Electrical Characteristics

Data Rate (Max)	4 Gb/s
-----------------	--------

### Termination Features

Termination Method to Printed Circuit Board	Through Hole - Press-Fit
---	--------------------------



### Mechanical Attachment

Connector Mounting Type	Board Mount
-------------------------	-------------

### Usage Conditions

Operating Temperature Range	-55 – 85 °C[-67 – 185 °F]
-----------------------------	---------------------------

### Operation/Application

Pluggable I/O Applications	SFP
Circuit Application	Signal

### Other

EMI Containment Feature Type	Internal/External EMI Springs
------------------------------	-------------------------------

## Product Compliance

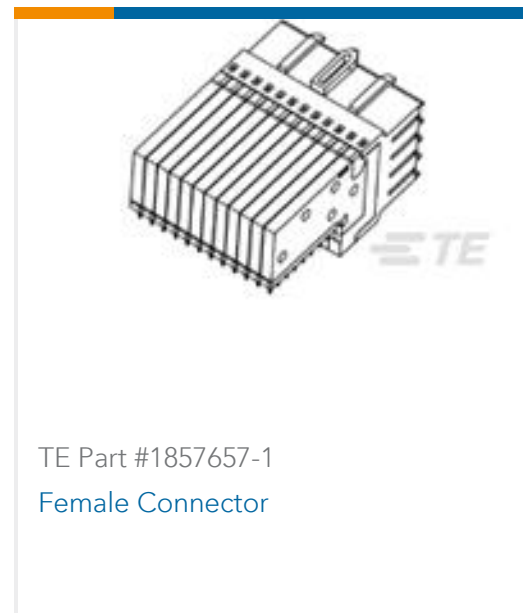
[For compliance documentation, visit the product page on TE.com>](#)

EU RoHS Directive 2011/65/EU	Compliant
EU ELV Directive 2000/53/EC	Compliant
China RoHS 2 Directive MIIT Order No 32, 2016	No Restricted Materials Above Threshold
EU REACH Regulation (EC) No. 1907/2006	Current ECHA Candidate List: JUNE 2023 (235) Candidate List Declared Against: JUNE 2023 (235) Does not contain REACH SVHC
Halogen Content	Low Halogen - Br, Cl, F, I < 900 ppm per homogenous material. Also BFR/CFR/PVC Free
Solder Process Capability	Reflow solder capable to 260°C

#### Product Compliance Disclaimer

This information is provided based on reasonable inquiry of our suppliers and represents our current actual knowledge based on the information they provided. This information is subject to change. The part numbers that TE has identified as EU RoHS compliant have a maximum concentration of 0.1% by weight in homogenous materials for lead, hexavalent chromium, mercury, PBB, PBDE, DBP, BBP, DEHP, DIBP, and 0.01% for cadmium, or qualify for an exemption to these limits as defined in the Annexes of Directive 2011/65/EU (RoHS2). Finished electrical and electronic equipment products will be CE marked as required by Directive 2011/65/EU. Components may not be CE marked. Additionally, the part numbers that TE has identified as EU ELV compliant have a maximum concentration of 0.1% by weight in homogenous materials for lead, hexavalent chromium, and mercury, and 0.01% for cadmium, or qualify for an exemption to these limits as defined in the Annexes of Directive 2000/53/EC (ELV). Regarding the REACH Regulation, the information TE provides on SVHC in articles for this part number is based on the latest European Chemicals Agency (ECHA) 'Guidance on requirements for substances in articles' posted at this URL: <https://echa.europa.eu/guidance-documents/guidance-on-reach>

## Customers Also Bought



## Documents

### Product Drawings

#### ASSY SFP CAGE 1X4 SOLDER TAIL

English

### CAD Files

#### 3D PDF

3D

#### Customer View Model

[ENG\\_CVM\\_CVM\\_1658723-2\\_A.2d\\_dxf.zip](#)

English

#### Customer View Model

[ENG\\_CVM\\_CVM\\_1658723-2\\_A.3d\\_igs.zip](#)

English

#### Customer View Model

[ENG\\_CVM\\_CVM\\_1658723-2\\_A.3d\\_stp.zip](#)

English

By downloading the CAD file I accept and agree to the [Terms and Conditions](#) of use.

### Product Specifications

#### Product Specification

English

### Product Environmental Compliance

#### Product Compliance

English

#### Product Compliance

English

1658723-2

SFP, SFP+ & zSFP+, Cage Assembly, Data Rate (Max) 4 Gb/s, Internal/External EMI Springs, SFP, Not Optional, 1 x 4, Through Hole - Press-Fit, 4 Port

