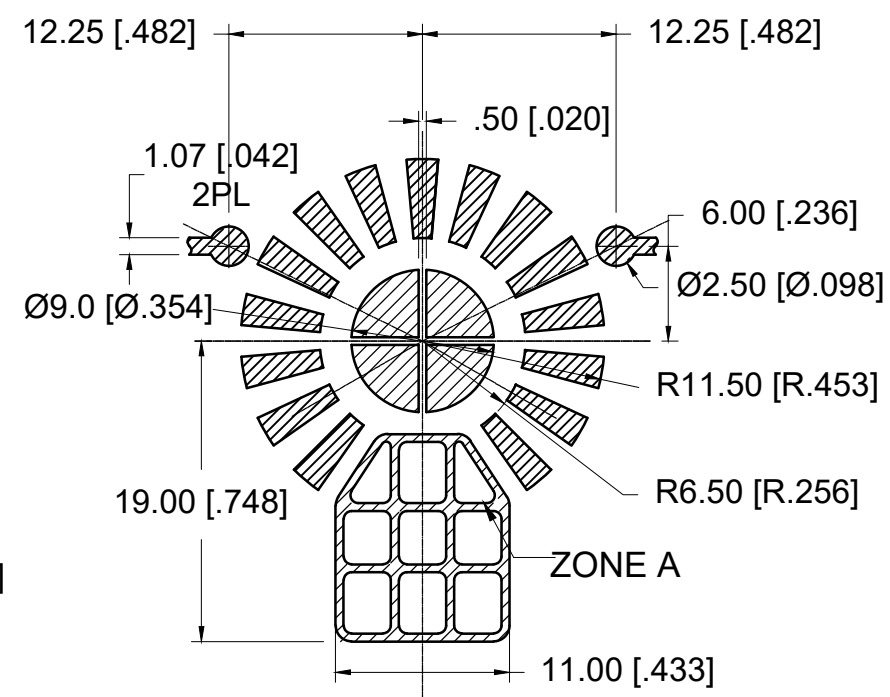


RECOMMENDED LAND PATTERN :
 Zone A must be attached to heat sink. Thermal conductivity of intermediate layers between Zone A and heat sink must be better than 0.1 W / [°C x mm].



PCB Material : RO 4350B , 20 mil THK

ELECTRICAL SPECIFICATION :

- Frequency range : 617 to 652 MHz
- Input power : 100 W
- Input power(peak): 1300 W
- Reflected power : 80 W
- Isolation : 20 dB Min
- Return Loss : 20 dB Min
- Insertion Loss : 0.35 dB Max
- Intermodulation distortion, IM3(2 x 40 W) : -65dBc Max
- IM5(2 x 40 W) : -79dBc Max
- Harmonics: 2 x f(80W CW) : 0dBm Max
- 3-4 x f (80W CW) : -10dBm Max
- 5 x f (80W CW) : -35dBm Max
- 6-7 x f (80W CW) : -25dBm Max
- Operating temperature range : -40°C to +125°C
- Storage temperature range : -40°C to +125°C
- Direction : CCW

BODY: CARBON STEEL, SILVER PLATED
 RIGID PINS: COPPER, SILVER PLATED
 NOTES:

- 1.STANDARD INPUT/OUTPUT IMPEDANCE 50 Ohm
- 2.LEAD FREE, NO Nd MATERIAL, BeO FREE
- 3.THE DIMENSION OF DATE MATRIX IS 7.6X7.6MM INFORMATION INCLUDING WORK ORDER NUMBER-SERIAL NUMBER-MATERIAL NUMBER
- 4.THIS PART COMPLIES WITH ALL RoHS REQUIREMENTS

ENG PN#: 811-061-065-WB040

FUNCTIONAL SYMBOLS	THIS DRAWING CONTAINS INFORMATION THAT IS PROPRIETARY TO MOLEX ELECTRONIC TECHNOLOGIES, LLC AND SHOULD NOT BE USED WITHOUT WRITTEN PERMISSION		CURRENT REV DESC: RELEASE TO PROD		molex		
	DIMENSION UNITS	SCALE					
$F_A=0$	MM	1:1	GENERAL TOLERANCES (UNLESS SPECIFIED)		EC NO: 696580		
$F_V=0$							
DIVISIONAL SYMBOLS			4 PLACES ±0.005 ±----		DRWN: SREN05 2022/02/21		
			3 PLACES ±0.025 ±----		CHK'D: JLI252 2022/02/23		
			2 PLACES ±0.13 ±----		APPR: HWANG186 2022/03/01		
			1 PLACE ±0.25 ±----		INITIAL REVISION:		
			0 PLACES ±0.4 ±----		DRWN: SREN05 2021/12/09		
			ANGULAR TOL ± 1.5 °		APPR: HWANG186 2022/03/01		
			DRAFT WHERE APPLICABLE MUST REMAIN WITHIN DIMENSIONS		THIRD ANGLE PROJECTION		
			DRAWING		SERIES		
			A3-SIZE		MATERIAL NUMBER		
			73591		CUSTOMER		
			0735912092		SHEET NUMBER		
			COSTOM PART		1 OF 1		