

**Description:** PIN 10x10x4 GPS Patch Antenna

**PART NUMBER: ANT1010B00FT1575S**

**Features:**

- Size : 10.0x10.0x4.0 mm
- High radiation efficiency
- Pin-solder process
- RoHS compliant

**Applications:**

- Navigation device
- Telematics box
- Fleet management

**ELECTRICAL SPECIFICATIONS**

<b>Description</b>	<b>VALUE</b>
<b>Dimension</b>	10.0×10.0×4.0 mm <sup>3</sup>
<b>Centre Frequency</b>	1580± 3 MHz
<b>Bandwidth</b>	5 MHz (Typ.)
<b>Gain</b>	-2.5 dBic (Typ.)
<b>VSWR</b>	2.0 Max.
<b>Polarization</b>	Right Hand Circular Polarization
<b>Axis Ratio</b>	≤ 3 dB
<b>Impedance</b>	50Ω
<b>Operating Temperature</b>	-40~105 °C

**NOTE**

1. Based on 30×30 mm<sup>2</sup> square ground plane.
2. Centre frequency will be offset to working frequency while changes of customer's housing and ground plane.
3. Please contact local sales if you need customized design to gain optimum antenna performance.

In the effort to improve our products, we reserve the right to make changes judged to be necessary.

CONFIDENTIAL AND PROPRIETARY INFORMATION

This document contains confidential and proprietary information of Pulse Electronics, Inc. (Pulse) and is protected by copyright, trade secret and other state and federal laws. Its receipt or possession does not convey any rights to reproduce, disclose its contents, or to manufacture, use or sell anything it may describe. Reproduction, disclosure or use without specific written authorization of Pulse is strictly forbidden.

For more information:



Pulse Worldwide Headquarters  
15255 Innovation Drive #100  
San Diego, CA 92128  
USA  
Tel:1-858-674-8100

Pulse/Larsen Antennas  
18110 SE 34<sup>th</sup> St Bldg 2 Suite 250  
Vancouver, WA 98683  
USA  
Tel: 1-360-944-7551

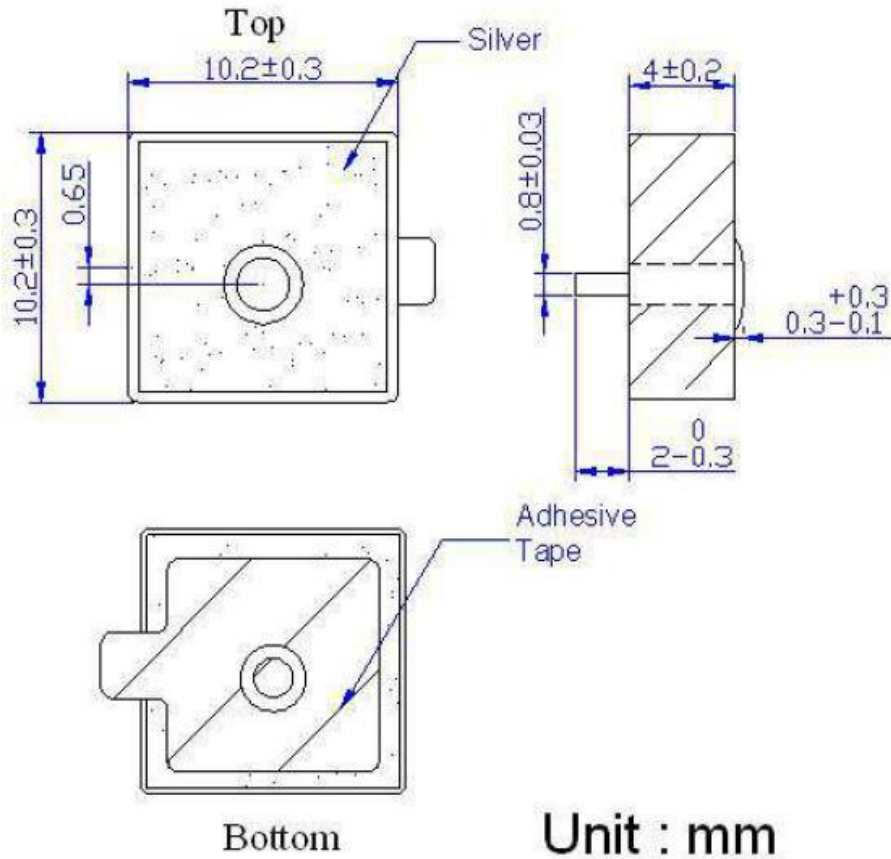
Europe Headquarters  
Pulse GmbH & Do, KG  
Zeppelinstrasse 15  
Herrenberg, Germany  
Tel: 49 7032 7806 0

Pulse (Suzhou) Wireless Products Co, Inc.  
99 Huo Ju Road(#29 Bldg,4<sup>th</sup> Phase  
Suzhou New District  
Jiangsu Province, Suzhou 215009 PR China  
Tel: 86 512 6807 9998

**Description:** PIN 10x10x4 GPS Patch Antenna

**PART NUMBER:** ANT1010B00FT1575S

**ELECTRICAL SPECIFICATIONS**



Mechanical Data

In the effort to improve our products, we reserve the right to make changes judged to be necessary.

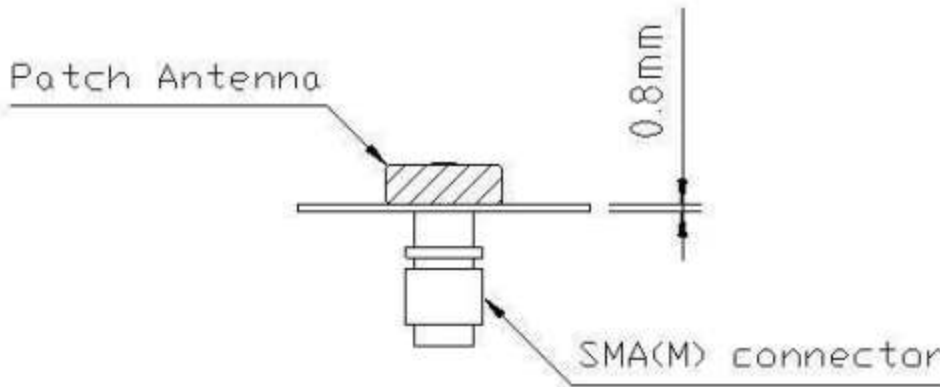
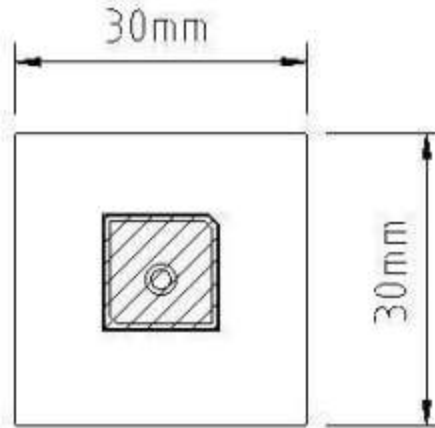
CONFIDENTIAL AND PROPRIETARY INFORMATION

This document contains confidential and proprietary information of Pulse Electronics, Inc. (Pulse) and is protected by copyright, trade secret and other state and federal laws. Its receipt or possession does not convey any rights to reproduce, disclose its contents, or to manufacture, use or sell anything it may describe. Reproduction, disclosure or use without specific written authorization of Pulse is strictly forbidden.

**Description:** PIN 10x10x4 GPS Patch Antenna

**PART NUMBER:** ANT1010B00FT1575S

**ELECTRICAL SPECIFICATIONS**



**Ground Plane Size: 30x30 mm<sup>2</sup>**

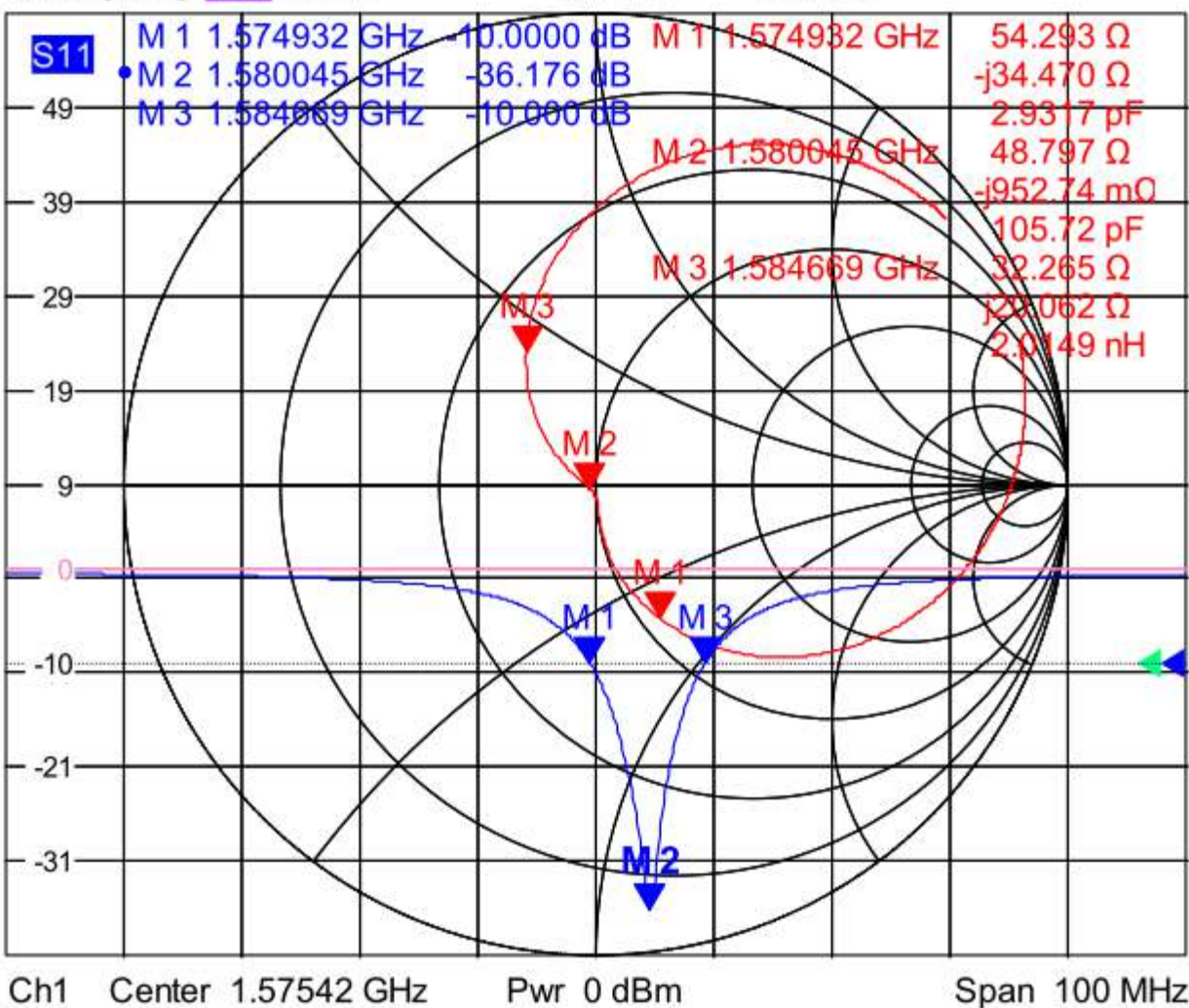
Evaluation Board

**Description:** PIN 10x10x4 GPS Patch Antenna

**PART NUMBER:** ANT1010B00FT1575S

**ELECTRICAL SPECIFICATIONS**

Trc1	S11	dB Mag	10 dB / Ref -10 dB	Cal	1 of 1 (Max)
Trc2	S11	Smith	Ref 1 U	Cal	
Mem3[Trc1]	S11	dB Mag	10 dB / Ref -10 dB	Invisible	
Mem4[Trc2]	S11	Smith	Ref 1 U	Invisible	



Return loss

In the effort to improve our products, we reserve the right to make changes judged to be necessary.

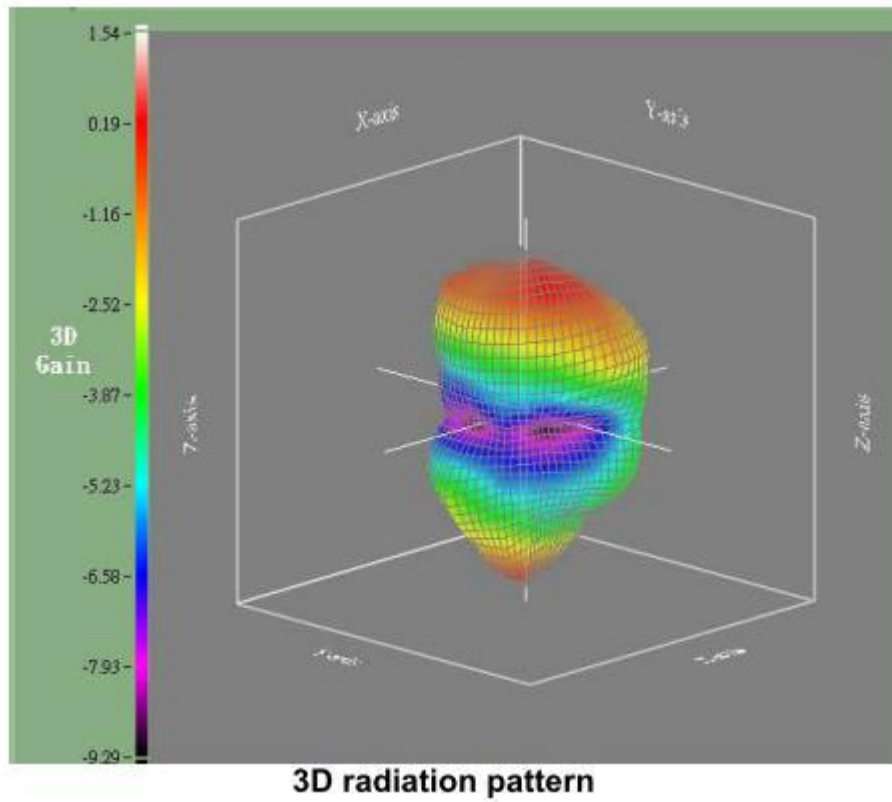
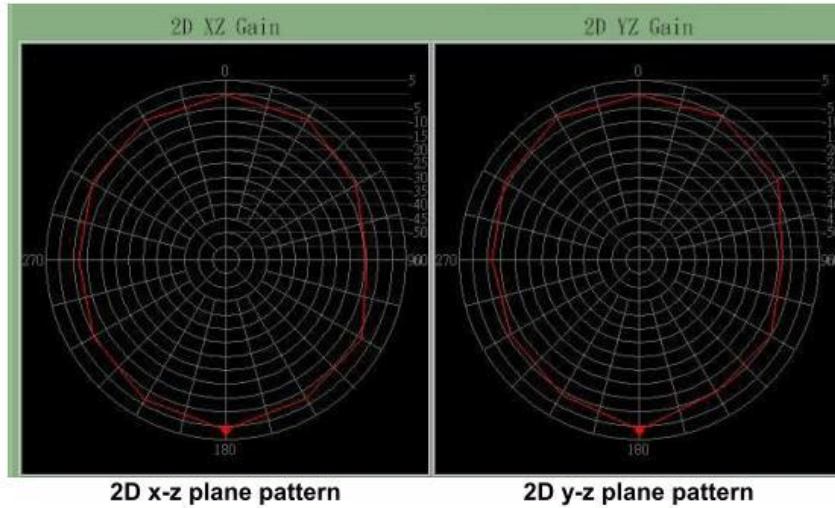
CONFIDENTIAL AND PROPRIETARY INFORMATION

This document contains confidential and proprietary information of Pulse Electronics, Inc. (Pulse) and is protected by copyright, trade secret and other state and federal laws. Its receipt or possession does not convey any rights to reproduce, disclose its contents, or to manufacture, use or sell anything it may describe. Reproduction, disclosure or use without specific written authorization of Pulse is strictly forbidden.

**Description:** PIN 10x10x4 GPS Patch Antenna

**PART NUMBER:** ANT1010B00FT1575S

**ELECTRICAL SPECIFICATIONS**



Radiation Pattern (Frequency = 1580MHz)

In the effort to improve our products, we reserve the right to make changes judged to be necessary.

CONFIDENTIAL AND PROPRIETARY INFORMATION

This document contains confidential and proprietary information of Pulse Electronics, Inc. (Pulse) and is protected by copyright, trade secret and other state and federal laws. Its receipt or possession does not convey any rights to reproduce, disclose its contents, or to manufacture, use or sell anything it may describe. Reproduction, disclosure or use without specific written authorization of Pulse is strictly forbidden.

**Description:** PIN 10x10x4 GPS Patch Antenna

**PART NUMBER: ANT1010B00FT1575S**

### REVISION HISTORY

Revision	Date	Description
Version 1	Nov. 23, 2020	- New issue

In the effort to improve our products, we reserve the right to make changes judged to be necessary.

CONFIDENTIAL AND PROPRIETARY INFORMATION

This document contains confidential and proprietary information of Pulse Electronics, Inc. (Pulse) and is protected by copyright, trade secret and other state and federal laws. Its receipt or possession does not convey any rights to reproduce, disclose its contents, or to manufacture, use or sell anything it may describe. Reproduction, disclosure or use without specific written authorization of Pulse is strictly forbidden.