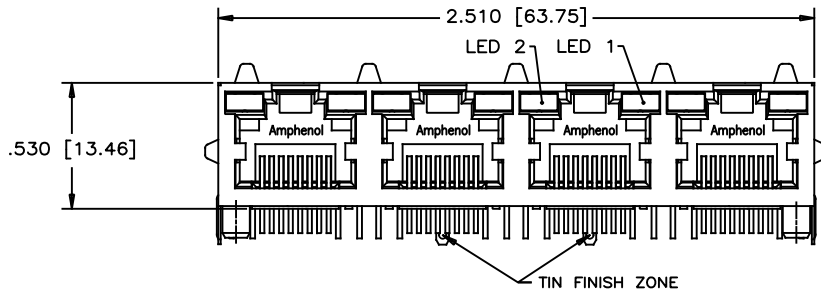
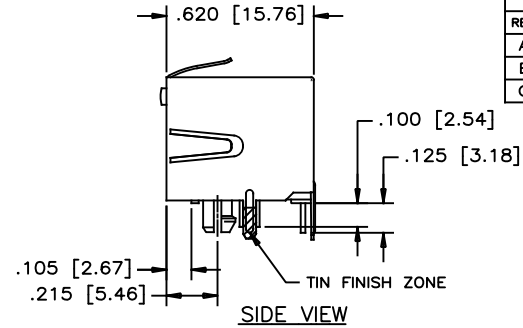


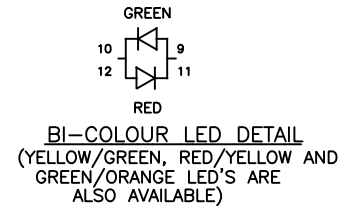
REV	DESCRIPTION, ECN, EAR NO.	DATE	APP'D
A	PROPOSAL DRAWING	NOV18/05	L.CHAN
B	PROPOSAL DRAWING	AUG28/18	L.CHAN
C	PROPOSAL DRAWING	DEC24/18	L.CHAN



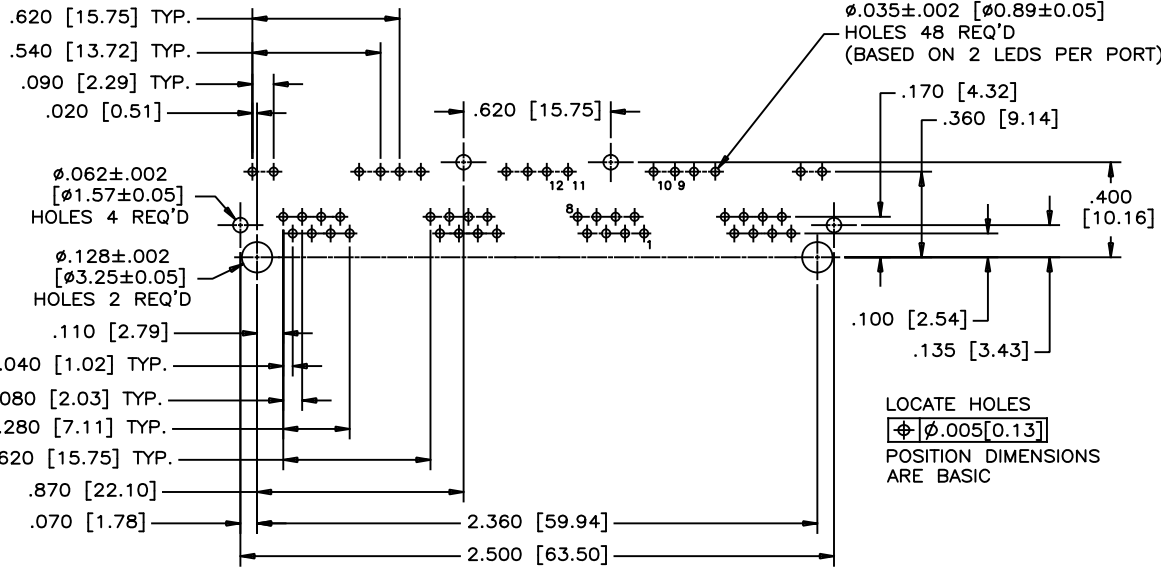
FRONT VIEW



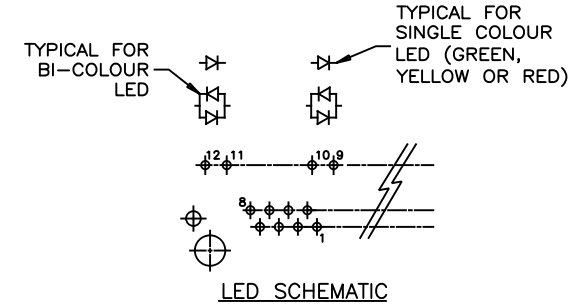
SIDE VIEW



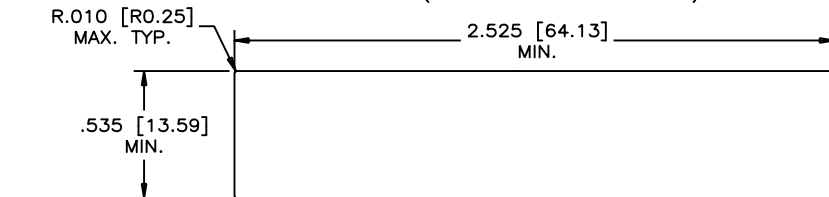
BI-COLOUR LED DETAIL
(YELLOW/GREEN, RED/YELLOW AND GREEN/ORANGE LED'S ARE ALSO AVAILABLE)



RECOMMENDED P.C.B. LAYOUT
(COMPONENT SIDE OF BOARD)



LED SCHEMATIC



RECOMMENDED PANEL CUTOUT

LOCATE HOLES
 $\phi \pm 0.005 [0.13]$
 POSITION DIMENSIONS ARE BASIC



- MATERIALS:**
 PLASTIC HOUSING: HIGH TEMPERATURE ENGINEERING THERMOPLASTIC
 FLAMMABILITY RATING UL 94V-0, COLOUR: BLACK
 CONTACTS: PHOSPHOR BRONZE
 PLATING: GOLD ON MATING SURFACES
 (SEE PART NO. FOR THICKNESS).
 50 μ " [1.27 MICRONS]
 MIN. NICKEL UNDERPLATE
 100 μ " [2.54 MICRONS]
 MIN. MATTE TIN ON CONTACT TAILS.
 SHIELD: STAINLESS STEEL WITH TIN FINISH ON PCB TAILS
- MECHANICAL:**
 MATING FORCE: 5.0 LBS MAX.
 MATING CYCLES: 200
- ELECTRICAL:**
 CONTACT RESISTANCE: 20 MILLIOHMS MAXIMUM
 INSULATION RESISTANCE: 500 MEGOHMS MINIMUM
 CURRENT RATING: 1.5 AMPS
 VOLTAGE RATING: 125 VOLTS AC
- ENVIRONMENTAL:**
 STORAGE TEMPERATURE: -40°C to 85°C
 STORAGE LIFE: 1 YEAR
 PACKAGING METHOD: TRAY PACKAGING
- UL FILE NUMBER:** E135615

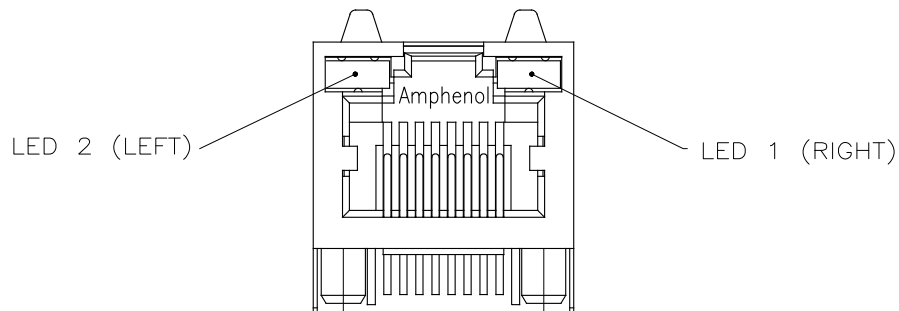
PART NUMBER: RJHSE-X38X-04

GOLD PLATING
 E=RJ45 FLAT CONTACT 6u"
 G=RJ45 FLAT CONTACT 15u"
 J=RJ45 FLAT CONTACT 30u"
 5=RJ45 FLAT CONTACT 50u"

REFER TO LED OPTIONS DRAWING FOR ORDERING CODES

THIS DOCUMENT CONTAINS PROPRIETARY INFORMATION AND SUCH INFORMATION MAY NOT BE DISCLOSED TO OTHERS FOR ANY PURPOSE OR USED FOR MANUFACTURING PURPOSES WITHOUT WRITTEN PERMISSION FROM AMPHENOL CANADA CORP.

UNLESS SPECIFIED OTHERWISE	DRAWN PAUL	NOV18/05	Amphenol Canada Corp. Commercial Products
PRIMARY UNITS INCHES	CHECKED L.CHAN	NOV18/05	
SECONDARY MILLIMETERS	M.E. APP'D		4 PORT, HIGH SPEED, MODULAR JACK, 8 POSITION, 8 CONTACTS, SHIELDED WITH LED'S - RoHS COMPLIANT
REFERENCE IN PARENTHESSES	Q.A. APP'D		
GENERAL TOLERANCES	DWG APP'D		DWG NO. P-RJHSE-X38X-04
1 DECIMAL PLACE ± 0.025	ENG. REL. NO.		
2 DECIMAL PLACES ± 0.02	REF.		REV C
3 DECIMAL PLACES ± 0.015	THIRD ANGLE PROJECTION	DO NOT SCALE DRAWING	CODE ID NO. 03554 DWG SIZE C SCALE NA SHEET 1 OF 1
ANGULAR DEGREES $\pm 1^\circ$			



TYPICAL FOR SINGLE & MULTI-PORT



EXAMPLE:

PART NUMBER RJHSE-538X

LED COLOR CODE

CODE	LED 2 (LEFT)	LED 1 (RIGHT)	CODE	LED 2 (LEFT)	LED 1 (RIGHT)	CODE	LED 2 (LEFT)	LED 1 (RIGHT)
0	BLOCKED	BLOCKED	9	GREEN	BLOCKED	J	BiC RD/GR	YELLOW
1	YELLOW	GREEN	A	BiC GR/YE	BiC GR/YE	K	YELLOW	BiC GR/OR
2	BLOCKED	GREEN	B	BiC RD/GR	BiC RD/GR	L	BiC GR/YE	RED
3	YELLOW	BLOCKED	C	BiC RD/GR	BiC GR/YE	M	RED	YELLOW
4	GREEN	YELLOW	D	GREEN	BiC GR/YE	N	BiC GR/RD	BiC GR/YE
5	GREEN	GREEN	E	YELLOW	BiC GR/YE	P	GREEN	BiC RD/GR
6	YELLOW	YELLOW	F	BiC GR/YE	YELLOW	R	BiC GR/OR	GREEN
7	RED	GREEN	G	BiC GR/OR	BiC GR/OR	T	RED	RED
8	GREEN	RED	H	BiC GR/YE	GREEN	V	BiC RD/GR	GREEN
						W	ADDITIONAL	OPTIONS

EXAMPLE OF ADDITIONAL LED OPTIONS:

PART NUMBER RJHSE-538W-01Y

ADDITIONAL LED COLOR CODE
DENOTES ADDITIONAL LED OPTIONS TO BE USED

CODE	LED 2 (LEFT)	LED 1 (RIGHT)	CODE	LED 2 (LEFT)	LED 1 (RIGHT)	CODE	LED 2 (LEFT)	LED 1 (RIGHT)
0	DO NOT USE		5	BLOCKED	YELLOW	E	BiC GR/YE	BiC GR/RD
1	RED	BLOCKED	6	RED	BiC RD/GR	A	LOWC YE	LOWC YE
2	BiC GR/OR	YELLOW	7	BLOCKED	BiC RD/GR	B	LOWC YE	LOWC GR
3	YELLOW	RED	8	BiC RD/GR	BLOCKED	C	LOWC GR	LOWC YE
4	BLOCKED	RED	9	BiC GR/YE	BLOCKED	D	LOWC GR	LOWC GR
K	BLOCKED	WHITE	N	BLUE	RED	M	LOWC RD	LOWC YE

REV	DESCRIPTION, ECN, EAR NO.	DATE	APP'D
E	UPDATE SPEC	APR19/17	L.CHAN
F	UPDATE SPEC	JUL06/18	L.CHAN
G	UPDATE SPEC	NOV19/18	L.CHAN

LED SPECIFICATIONS:

FORWARD VOLTAGE: 2.1 VOLTS TYP.
 FORWARD VOLTAGE: 2.9 VOLTS FOR WHITE
 FORWARD VOLTAGE: 3.1 VOLTS FOR BLUE
 REVERSE VOLTAGE: 5.0 VOLTS MIN.
 LUMINOUS INTENSITY:
 18.6 mcd MIN. (AT If=20mA) TYP.
 480 mcd MIN. (AT If=5mA) FOR WHITE
 110 mcd MIN. (AT If=20mA) FOR BLUE

OPERATING TEMPERATURE: -55° TO 85° C
 LEAD SOLDERING TEMPERATURE: 260° C
 (5 SEC, 1/16" FROM CASE)
 PLATING ON TAILS: TIN OR TIN/COPPER
 ALLOY OVER SILVER

PRIMARY COLOR FOR BI-COLOR
 LEDS IN STANDARD ANODE/
 CATHODE CONFIGURATION IS:
 RED-GREEN= RED
 RED-YELLOW= RED
 GREEN-YELLOW= GREEN
 GREEN-ORANGE= GREEN

LEGEND

BiC=BI-COLOR LED
 LOWC=LOW CURRENT LED
 YE=YELLOW
 GR=GREEN
 RD=RED
 OR=ORANGE

NOTE:

THE TWO DIGITS PRECEDING THE
 ADDITIONAL LED CODE MUST BE
 USED IN THE PART NUMBER, WHEN
 ORDERING ANY OF THE ADDITIONAL
 LED OPTIONS.

UNLESS SPECIFIED OTHERWISE		DRAWN K. LAMBIE	SEP21/04	Amphenol Canada Corp.	
PRIMARY UNITS INCHES	CHECKED			Commercial Products	
SECONDARY MILLIMETERS	M.E. APP'D			LED OPTIONS FOR RJHSE, SINGLE OR MULTI-PORT CONNECTORS - RoHS COMPLIANT	
REFERENCE IN PARENTHESES	Q.A. APP'D			DWG NO. P-RJHSE-LEDS	
GENERAL TOLERANCES		DWG APP'D		REV G	
1 DECIMAL PLACES ±0.025	ENG. REL. NO.			CODE ID NO. 03554 DWG SIZE C SCALE NA SHEET 1 OF 1	
2 DECIMAL PLACES ±0.02	REF.				
3 DECIMAL PLACES ±0.015	THIRD ANGLE PROJECTION		DO NOT SCALE DRAWING		
ANGULAR DEGREES ±1°					