

6

5

4

3

2

1

APPROVED: \_\_\_\_\_

DATE: \_\_\_\_\_ TITLE: \_\_\_\_\_

Rev	AWO #	Description	Date	Appr
-		RELEASED	10/7/22	

D

D

C

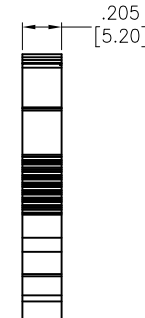
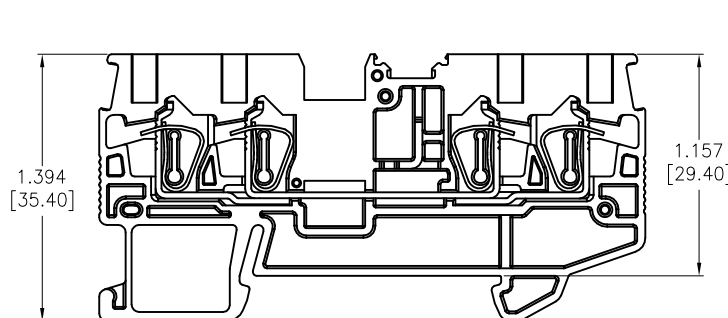
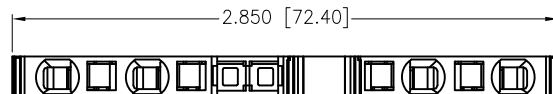
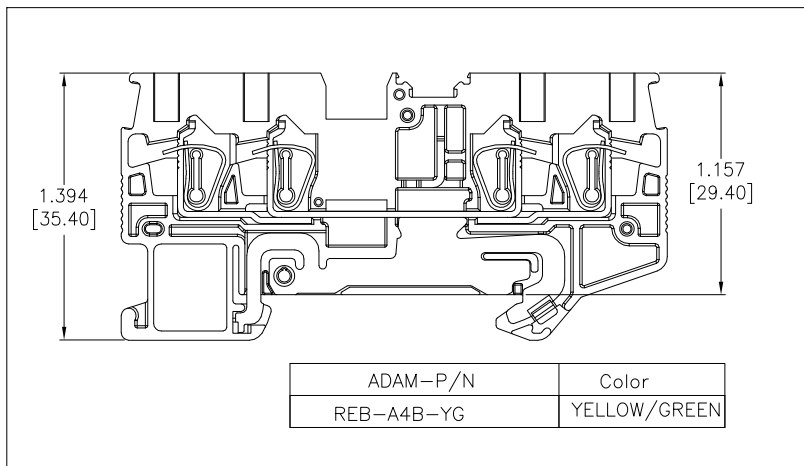
C

B

B

A

A



**SPECIFICATIONS:**

Material:

Insulator: PA66, rated UL 94V-0

Insulator color: See chart

Contacts: Copper Alloy, Tin Plated

Electrical:

Voltage rating: 600V

Current rating: 20A

Dielectric withstanding voltage: 2,200 VAC for 1 minute

Mechanical:

Flexible: 0.2-2.5 mm<sup>2</sup>

Wire range : 26-12 #AWG

Stripping Length: 8-10 mm

Temperature Rating:

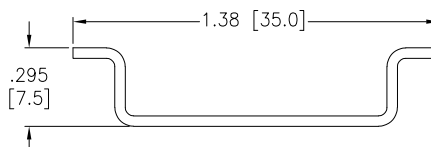
Operating temperature: -40°C to +105°C

Environmental:

Lead free, RoHS compliant.



**RECOMMENDED RAIL SIZE**  
35.0mm X 7.5mm



ADAM-P/N	Color
REB-A4B-BU	BLUE
REB-A4B-GY	GRAY
REB-A4B-YG	YELLOW/GREEN

UNLESS OTHERWISE SPECIFIED ALL DIMENSIONS ARE INCHES [MM]. TOLERANCES: EXCEPT AS NOTED

INCHES		HOLES	
.X	± .10	∅X	± .10
.XX	± .020	∅XX	± .015
.XXX	± .015	∅XXX	± .010



909 Rahway Avenue,  
Union, NJ 07083  
Phone: 908-687-5000  
Fax: 908-687-5710

DRAWN	WX	10/7/22
CHECKED	RC	10/7/22
APPROVED		

TITLE  
**DIN RAIL TERMINAL BLOCKS, GUS, 4HOLE, 2.5 FLEXIBLE**

THIS DRAWING CONTAINS INFORMATION THAT IS PROPRIETARY AND SHOULD NOT BE USED WITHOUT PRIOR WRITTEN PERMISSION FROM ADAM TECH

SIZE <b>X</b>	PART NO. <b>REB-A4B-XX</b>	REV. -
REF: S00067C	SCALE: NTS	SHEET 1 OF 1

6

5

4

3

2

1