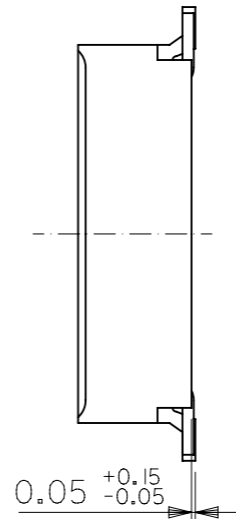


下部詳細  
DETAIL T



注記 NOTES:

1. 使用材料

MATERIAL

ハウジング : 液晶ポリマー (LCP), ガラス充填, UL94V-0, 色 : 黒  
HOUSING : LIQUID CRYSTAL POLYMER(LCP), GLASS FILLED, UL94V-0, COLOR: BLACK

ターミナル : 銅合金 (t=0.15)

TERMINAL: COPPER ALLOY (t=0.15)

ネイル : 銅合金 (t=0.2)

NAIL: COPPER ALLOY (t=0.2)

2. メッキ仕様

PLATING

ターミナル

TERMINAL

接点部 : 金メッキ 0.25 マイクロメートル以上

CONTACT AREA: GOLD 0.25 MICROMETER MINIMUM

半田付け部 : 金メッキ 0.4 マイクロメートル以下

SOLDER TAIL AREA : GOLD 0.4 MICROMETER MAXIMUM

下地メッキ : ニッケルメッキ 1.5 マイクロメートル以上

UNDER PLATING : NICKEL 1.5 MICROMETER MINIMUM

ネイル

NAIL

錫メッキ 3.0 マイクロメートル以上

TIN 3.0 MICROMETER MINIMUM

下地メッキ : ニッケルメッキ 1.0 マイクロメートル以上

UNDER PLATING : NICKEL 1.0 MICROMETER MINIMUM

3. テール平坦度は、0.08 ミリメートル以下

TAIL COPLANARITY TO BE 0.08 MAXIMUM.

テールとネイルを併せた平坦度は、0.1 ミリメートル以下

TAILS AND NAILS COPLANARITY TO BE 0.1 MAXIMUM.

4. 嵌合相手 : 55650シリーズ (嵌合高さ = 2.0mm)

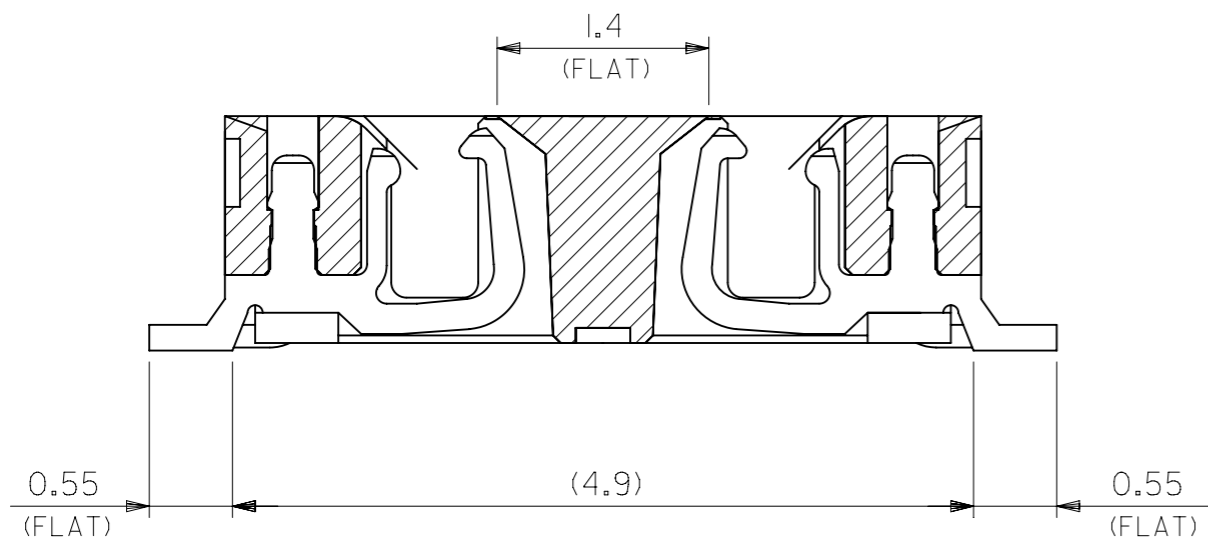
MATE WITH: 55650 SERIES (HEIGHT = 2.0mm)

5. 本製品はエンボス梱包品 54363-\*\*08の鉛フリー品である

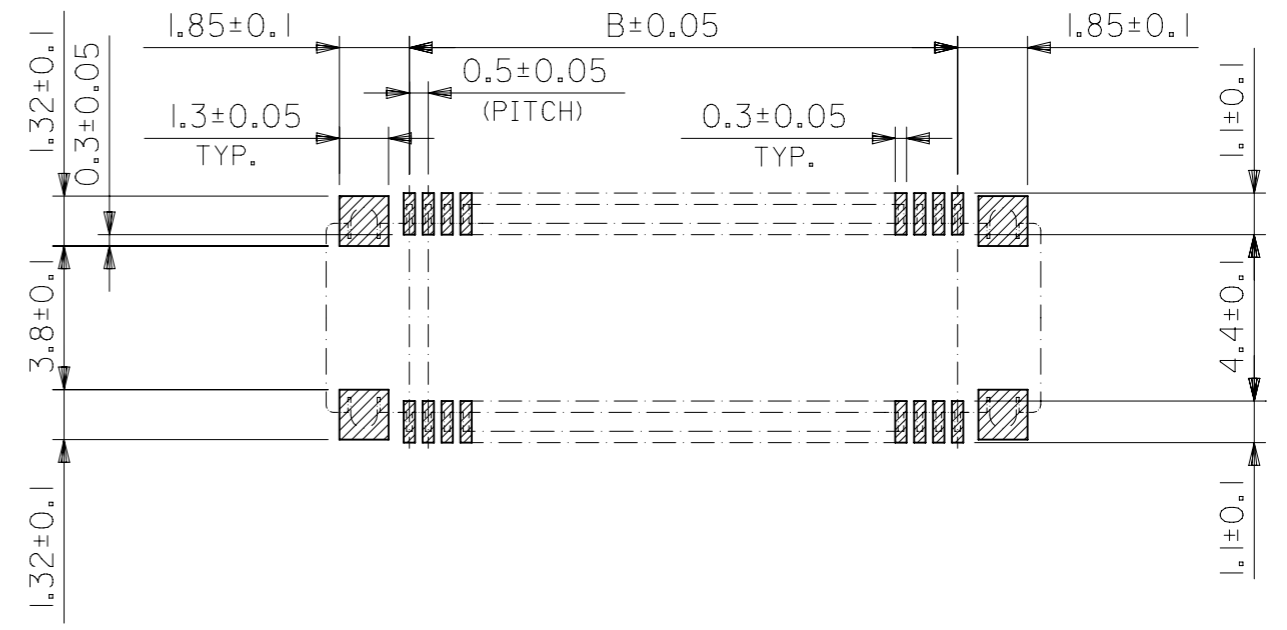
THIS PRODUCT IS 'LEAD FREE' OF EMBOSSED TAPE PKG 54363-\*\*08

30.5	31.9	29.5	33.9	54363-1278	120
18.0	19.4	17.0	21.4	54363-0778	70
D	C	B	A	EMBOSSED PACKAGE	極数
オーダー番号 ORDER No.					CIRCUIT
CONNECTOR SERIES No. 54363-**71					

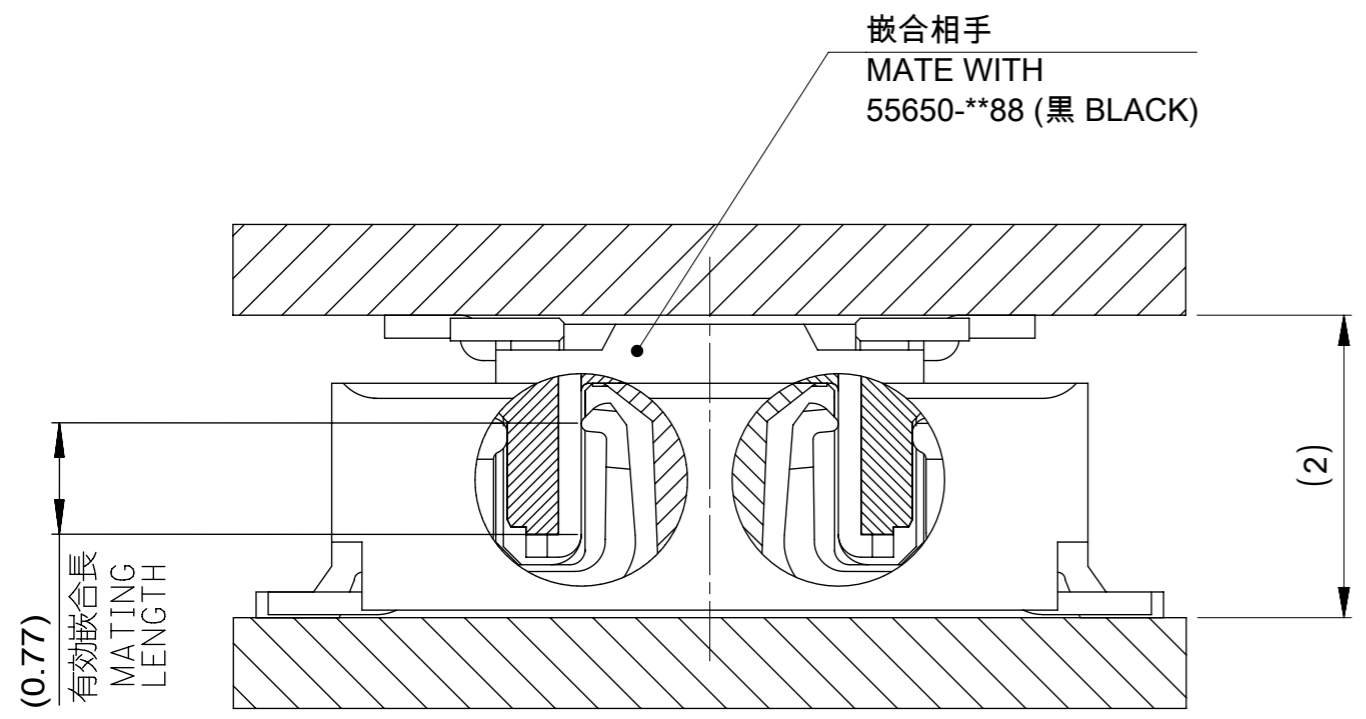
GENERAL TOLERANCES (UNLESS SPECIFIED)		DIMENSION UNITS	SCALE	CURRENT REV DESC: REVISED		<b>molex</b>	
0.25 <sup>UNDER</sup> ±0.03		mm	10:1	EC NO: 642297			
0.25 <sup>OVER</sup> 0.5 <sup>UNDER</sup> ±0.05		GENERAL TOLERANCES (UNLESS SPECIFIED)		DRWN: SUDAYGUNAGI 2020/09/18		PRODUCT CUSTOMER DRAWING	
0.5 <sup>OVER</sup> 1.0 <sup>UNDER</sup> ±0.1				ANGULAR TOL ± 3.0°	CHK'D: HSHIMUYAMA 2020/11/30		DOCUMENT NUMBER
1.0 <sup>OVER</sup> 10 <sup>UNDER</sup> ±0.2		4 PLACES ±	APPR: SHOSHIKAWA 2020/11/30		DOC TYPE		
10 <sup>OVER</sup> 30 <sup>UNDER</sup> ±0.25		3 PLACES ±	INITIAL REVISION:		DOC PART		
30 <sup>OVER</sup> ±0.3		2 PLACES ±	DRWN: AIDA 2004/01/07		REVISION		
ANGULAR ±3°		1 PLACE ±	APPR: YOITO 2004/01/07		SD-54363-038		
DRAFT WHERE APPLICABLE MUST REMAIN WITHIN DIMENSIONS		0 PLACES ±	THIRD ANGLE PROJECTION	DRAWING	SERIES	MATERIAL NUMBER	CUSTOMER
		DRAFT WHERE APPLICABLE MUST REMAIN WITHIN DIMENSIONS		A3-SIZE	54363	SEE TABLE	GENERAL
						SHEET NUMBER	
						1 OF 2	



製品断面図 (半田付け部、吸着面寸法)  
 DETAIL FOR SOLDERING AND VACUUM AREA

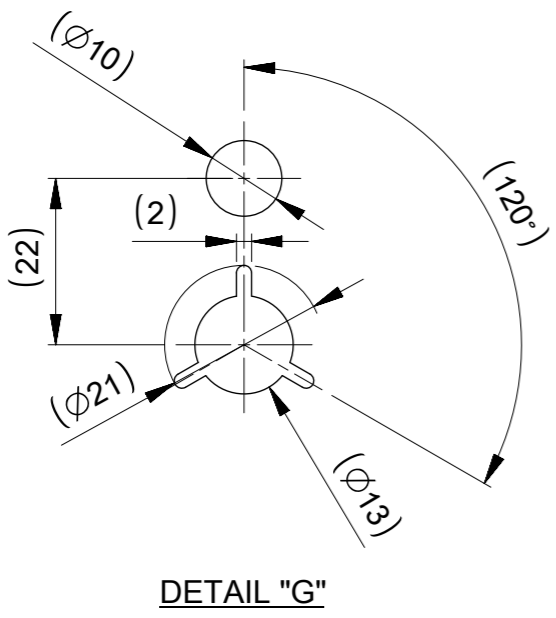
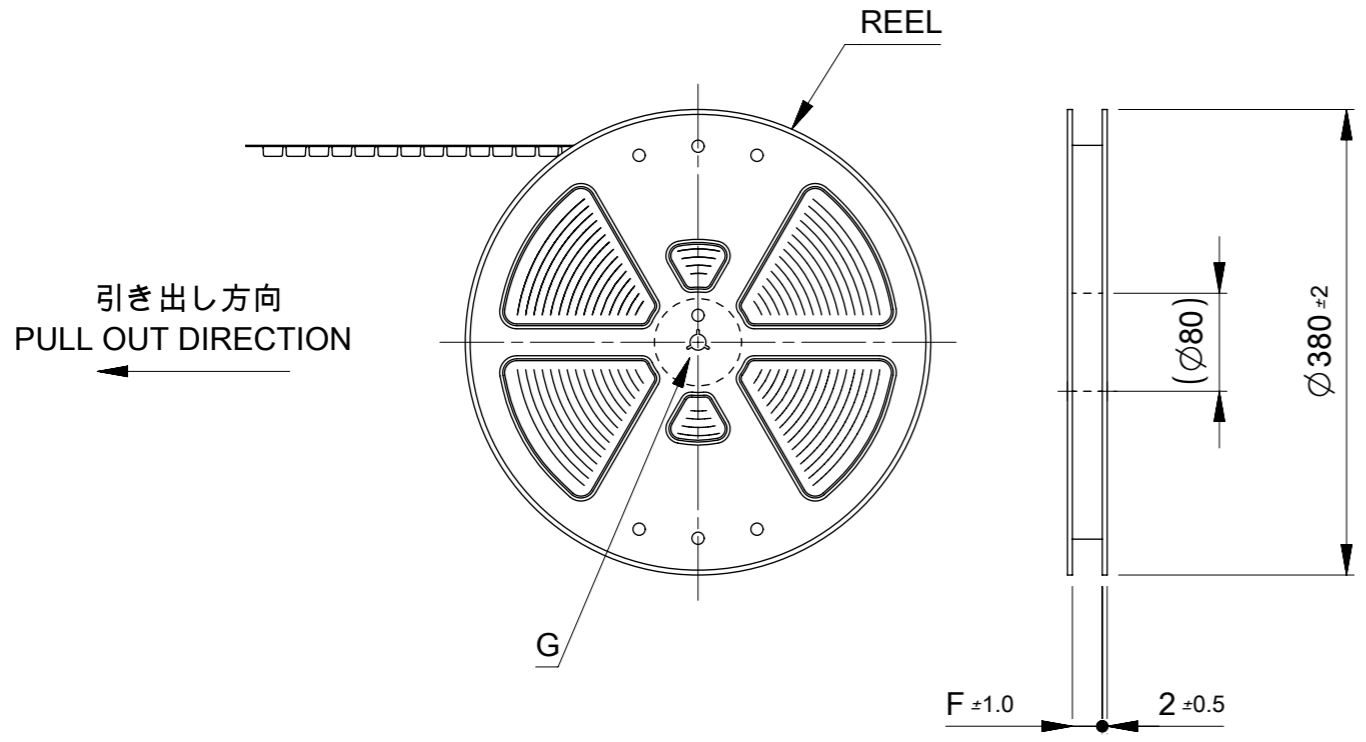


推奨基板寸法  
 RECOMMENDED PCB PATTERN LAYOUT  
 (SCALE:5-1)



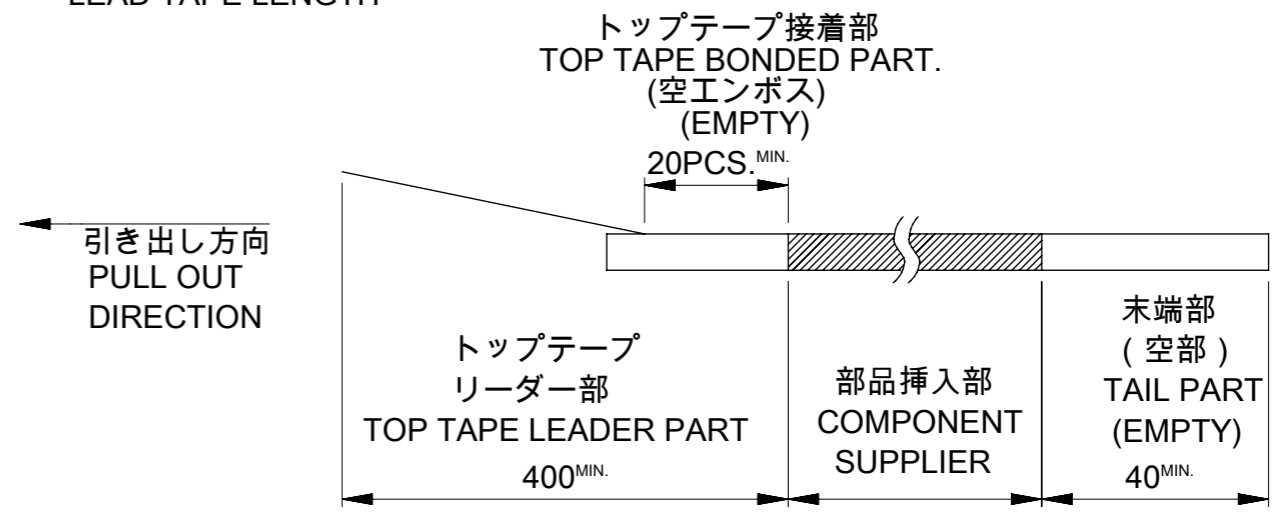
嵌合断面図 (参考)  
 MATED DRAWING (REF.)

GENERAL TOLERANCES (UNLESS SPECIFIED)		DIMENSION UNITS	SCALE	THIS DRAWING CONTAINS INFORMATION THAT IS PROPRIETARY TO MOLEX ELECTRONIC TECHNOLOGIES, LLC AND SHOULD NOT BE USED WITHOUT WRITTEN PERMISSION																													
0.25 <sup>UNDER</sup>	±0.03	mm	20:1	CURRENT REV DESC: REVISED																													
0.25 <sup>OVER</sup> 0.5 <sup>UNDER</sup>	±0.05	<table border="1"> <tr> <td colspan="2">GENERAL TOLERANCES (UNLESS SPECIFIED)</td> </tr> <tr> <td>ANGULAR TOL</td> <td>± 3.0°</td> </tr> <tr> <td>4 PLACES</td> <td>±</td> </tr> <tr> <td>3 PLACES</td> <td>±</td> </tr> <tr> <td>2 PLACES</td> <td>±</td> </tr> <tr> <td>1 PLACE</td> <td>±</td> </tr> <tr> <td>0 PLACES</td> <td>±</td> </tr> </table>		GENERAL TOLERANCES (UNLESS SPECIFIED)		ANGULAR TOL	± 3.0°	4 PLACES	±	3 PLACES	±	2 PLACES	±	1 PLACE	±	0 PLACES	±	<table border="1"> <tr> <td>EC NO: 642297</td> <td>2020/09/18</td> </tr> <tr> <td>DRWN: SUDAYGUNAGI</td> <td>2020/11/30</td> </tr> <tr> <td>CHK'D: HSHIMOYAMA</td> <td>2020/11/30</td> </tr> <tr> <td>APPR: SHOSHIKAWA</td> <td>2020/11/30</td> </tr> <tr> <td colspan="2">INITIAL REVISION:</td> </tr> <tr> <td>DRWN: AIDA</td> <td>2004/01/07</td> </tr> <tr> <td>APPR: YOITO</td> <td>2004/01/07</td> </tr> </table>		EC NO: 642297	2020/09/18	DRWN: SUDAYGUNAGI	2020/11/30	CHK'D: HSHIMOYAMA	2020/11/30	APPR: SHOSHIKAWA	2020/11/30	INITIAL REVISION:		DRWN: AIDA	2004/01/07	APPR: YOITO	2004/01/07
GENERAL TOLERANCES (UNLESS SPECIFIED)																																	
ANGULAR TOL	± 3.0°																																
4 PLACES	±																																
3 PLACES	±																																
2 PLACES	±																																
1 PLACE	±																																
0 PLACES	±																																
EC NO: 642297	2020/09/18																																
DRWN: SUDAYGUNAGI	2020/11/30																																
CHK'D: HSHIMOYAMA	2020/11/30																																
APPR: SHOSHIKAWA	2020/11/30																																
INITIAL REVISION:																																	
DRWN: AIDA	2004/01/07																																
APPR: YOITO	2004/01/07																																
0.5 <sup>OVER</sup> 1.0 <sup>UNDER</sup>	±0.1	<table border="1"> <tr> <td colspan="2">molex</td> </tr> <tr> <td colspan="2">0.5 MM PITCH B-TO-B CONN. HEIGHT = 2 RECEPTACLE</td> </tr> <tr> <td colspan="2">PRODUCT CUSTOMER DRAWING</td> </tr> </table>		molex		0.5 MM PITCH B-TO-B CONN. HEIGHT = 2 RECEPTACLE		PRODUCT CUSTOMER DRAWING		<table border="1"> <tr> <td>DOCUMENT NUMBER</td> <td>DOC TYPE</td> <td>DOC PART</td> <td>REVISION</td> </tr> <tr> <td>SD-54363-038</td> <td>PSD</td> <td>001</td> <td>D</td> </tr> </table>		DOCUMENT NUMBER	DOC TYPE	DOC PART	REVISION	SD-54363-038	PSD	001	D														
molex																																	
0.5 MM PITCH B-TO-B CONN. HEIGHT = 2 RECEPTACLE																																	
PRODUCT CUSTOMER DRAWING																																	
DOCUMENT NUMBER	DOC TYPE	DOC PART	REVISION																														
SD-54363-038	PSD	001	D																														
1.0 <sup>OVER</sup> 10 <sup>UNDER</sup>	±0.2	<table border="1"> <tr> <td>DRIFT WHERE APPLICABLE MUST REMAIN WITHIN DIMENSIONS</td> <td>THIRD ANGLE PROJECTION</td> <td>DRAWING</td> <td>SERIES</td> <td>MATERIAL NUMBER</td> <td>CUSTOMER</td> <td>SHEET NUMBER</td> </tr> <tr> <td></td> <td></td> <td>A3-SIZE</td> <td>54363</td> <td>SEE SHEET 1</td> <td>GENERAL</td> <td>2 OF 2</td> </tr> </table>		DRIFT WHERE APPLICABLE MUST REMAIN WITHIN DIMENSIONS	THIRD ANGLE PROJECTION	DRAWING	SERIES	MATERIAL NUMBER	CUSTOMER	SHEET NUMBER			A3-SIZE	54363	SEE SHEET 1	GENERAL	2 OF 2	<table border="1"> <tr> <td>30<sup>OVER</sup></td> <td>±0.3</td> </tr> </table>		30 <sup>OVER</sup>	±0.3												
DRIFT WHERE APPLICABLE MUST REMAIN WITHIN DIMENSIONS	THIRD ANGLE PROJECTION	DRAWING	SERIES	MATERIAL NUMBER	CUSTOMER	SHEET NUMBER																											
		A3-SIZE	54363	SEE SHEET 1	GENERAL	2 OF 2																											
30 <sup>OVER</sup>	±0.3																																
ANGULAR±3°																																	



NOTES

- 1. 製品詳細寸法については図面SD-54363-038を参照下さい。  
DETAIL DIMENSION, SEE SD-54363-038.
- 2. 梱包数量 : 2500個 / リール  
NUMBER OF CONNECTORS : 2500PCS/REEL
- 3. リードテープ長さ  
LEAD TAPE LENGTH



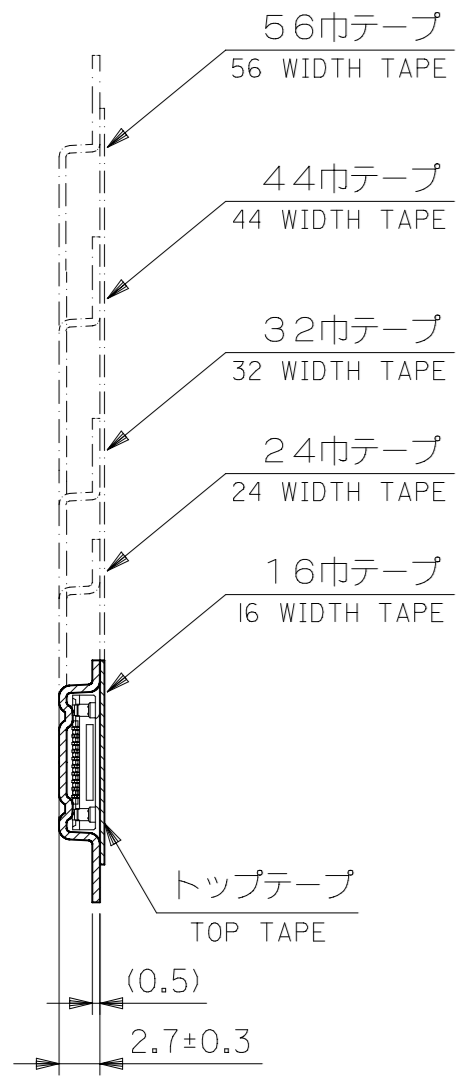
- 4. カバーテープの剥離強度については、IEC60286-3に準拠  
COVER TAPE PEEL FORCE IS DEFINED BY IEC60286-3.

5. 材料

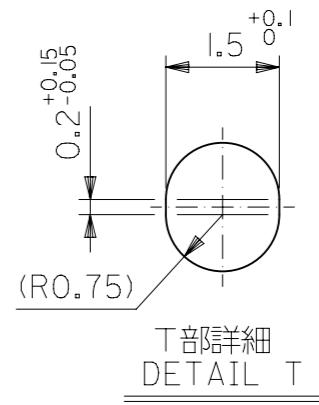
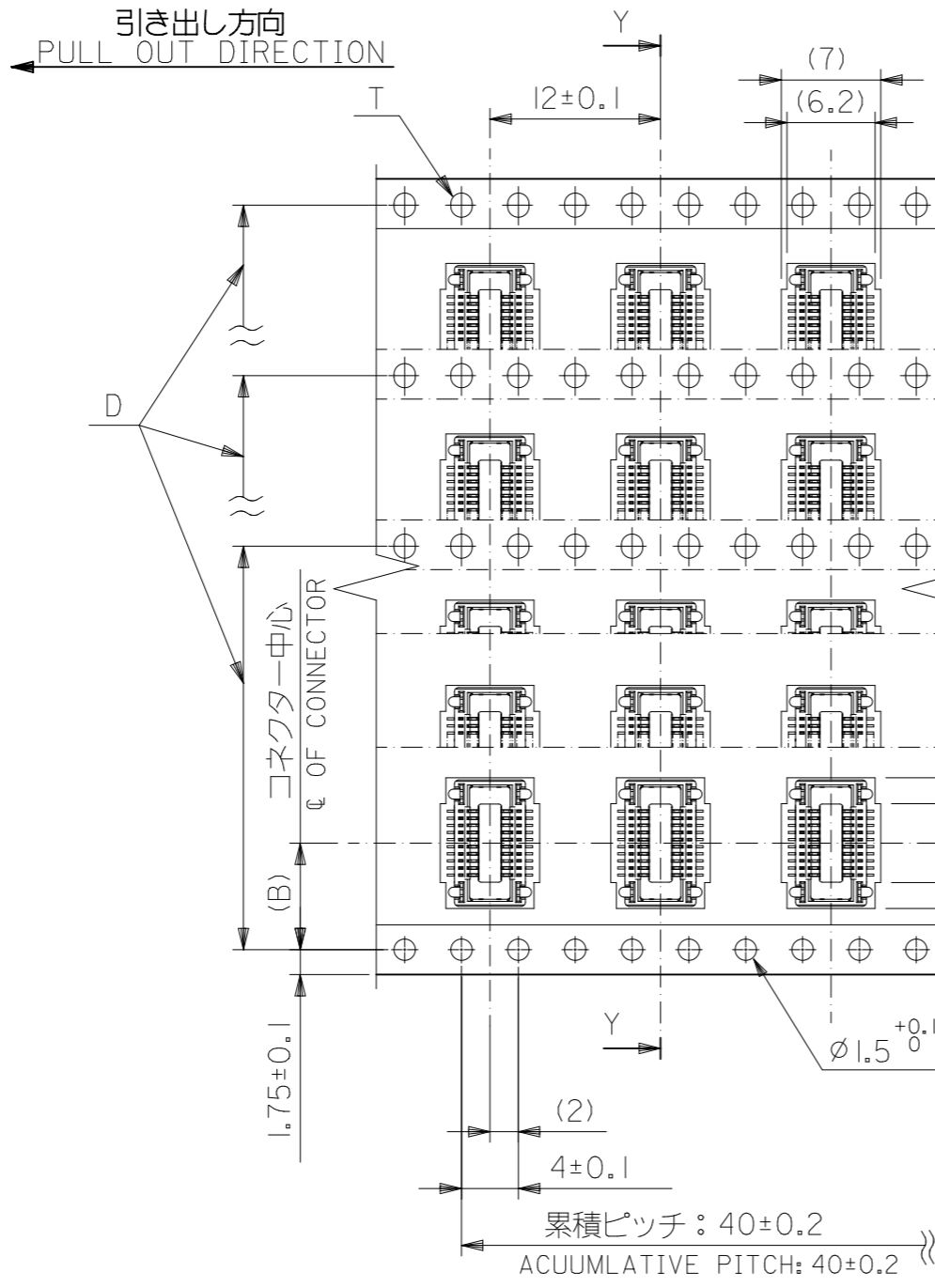
MATERIAL  
 キャリアテープ : ポリプロピレン (PP)  
 CARRIER TAPE : POLYPROPYLENE (PP)  
 トップテープ : PET , PE , PEF  
 TOP TAPE : PET , PE , PEF  
 リール : ポリスチレン  
 REEL : POLYSTYREN

- 6. この製品はエンボス梱包品54363-\*\*08 の鉛フリー品です。  
THIS PRODUCT IS 'LEAD FREE' OF EMBOSSED TAPE PKG 54363-\*\*08

THIS DRAWING CONTAINS INFORMATION THAT IS PROPRIETARY TO MOLEX ELECTRONIC TECHNOLOGIES, LLC AND SHOULD NOT BE USED WITHOUT WRITTEN PERMISSION		CURRENT REV DESC: REVISED		<b>molex</b>	
DIMENSION UNITS	SCALE				
mm	NTS			0.5 MM PITCH B-TO-B CONN. HEIGHT = 2 RECEPTACLE EMBOSS TAPE PACKAGE	
GENERAL TOLERANCES (UNLESS SPECIFIED)		GENERAL TOLERANCES (UNLESS SPECIFIED)		PRODUCT CUSTOMER DRAWING	
ANGULAR TOL ± °		ANGULAR TOL ± °		DOCUMENT NUMBER	
4 PLACES ±		4 PLACES ±		SD-54363-039	
3 PLACES ±		3 PLACES ±		DOC TYPE	
2 PLACES ±		2 PLACES ±		PSD	
1 PLACE ±		1 PLACE ±		DOC PART	
0 PLACES ±		0 PLACES ±		001	
DRAFT WHERE APPLICABLE MUST REMAIN WITHIN DIMENSIONS		DRAFT WHERE APPLICABLE MUST REMAIN WITHIN DIMENSIONS		REVISION	
		THIRD ANGLE PROJECTION		C	
		DRAWING		SERIES	
		A3-SIZE		54363	
		MATERIAL NUMBER		CUSTOMER	
		SEE SHEET 2		GENERAL	
		SHEET NUMBER		1 OF 2	



断面 Y-Y  
SECTION Y-Y



57.4	56±0.3	52.4	34.2	26.2	30.55	54363-1278	120
33.4	32±0.3	28.4	21.7	14.2	18.05	54363-0778	70
F	E キャリアテープ幅 CARRIER TAPE WIDTH	D	C	B	(A)	EMBOSSED TAPE PACKAGE オーダー番号 ORDER No.	極数 CIRCUITS

THIS DRAWING CONTAINS INFORMATION THAT IS PROPRIETARY TO MOLEX ELECTRONIC TECHNOLOGIES, LLC AND SHOULD NOT BE USED WITHOUT WRITTEN PERMISSION

mm NTS

GENERAL TOLERANCES (UNLESS SPECIFIED)

10 <sup>UNDER</sup>	±0.2
10 <sup>OVER</sup> 30 <sup>UNDER</sup>	±0.25
30 <sup>OVER</sup>	±0.3

ANGULAR TOL ± °

4 PLACES	±
3 PLACES	±
2 PLACES	±
1 PLACE	±
0 PLACES	±

EC NO: 649457  
DRWN: SUDAYGUNAGI 2020/09/17  
CHK'D: HSHIMOYAMA 2020/12/02  
APPR: SHOSHIKAWA 2020/12/02

INITIAL REVISION:  
DRWN: AIDA 2004/01/07  
APPR: YOITO 2004/01/07

DOCUMENT NUMBER: SD-54363-039  
DOC TYPE: PSD  
DOC PART: 001  
REVISION: C

PRODUCT CUSTOMER DRAWING

0.5 MM PITCH B-TO-B CONN.  
HEIGHT = 2 RECEPTACLE EMBOSS TAPE PACKAGE

THIRD ANGLE PROJECTION  
DRAWING: A3-SIZE  
SERIES: 54363  
MATERIAL NUMBER: SEE TABLE  
CUSTOMER: GENERAL  
SHEET NUMBER: 2 OF 2