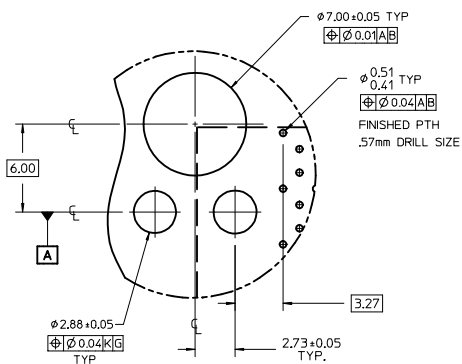


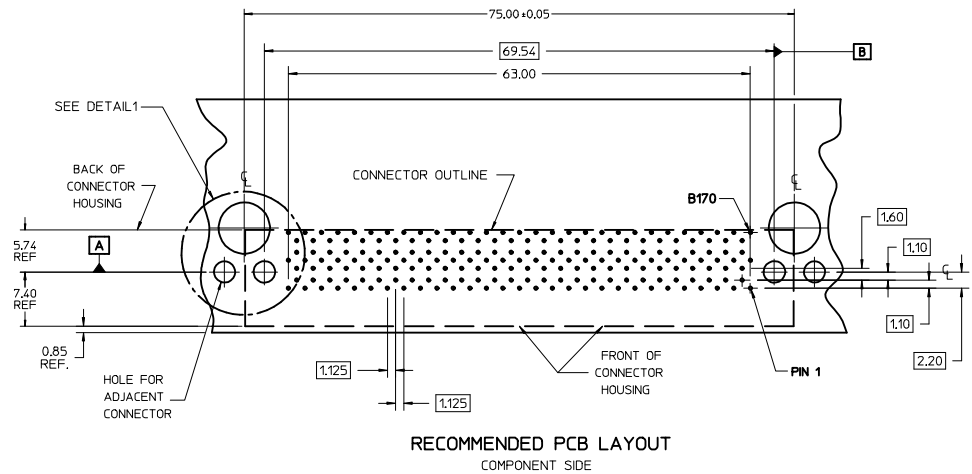
- NOTES:
- MATERIAL
CONNECTOR HOUSING: GLASS FILLED LCP, 94 V-0
COLOR: BLACK
WAFERS: GLASS FILLED LCP
COLOR: BLACK,
TERMINALS: HIGH PERFORMANCE COPPER ALLOY
 - FINISH:
CONTACT AREA: 0.754μm MIN. HARD GOLD
OVER 1.254μm MIN. NICKEL
COMPLIANT AREA: 0.75-1.504μm TIN (LEAD-FREE)
OVER 1.254μm MIN. NICKEL
 - REFER TO PS-75800-001 PRODUCT SPEC FOR ALL ELECTRICAL, MECHANICAL, AND ENVIRONMENTAL SPECIFICATIONS.
 - REFER TO PK-75800-203 AND PK-70873-560 FOR ALL PACKAGING SPECIFICATIONS.
 - REFER TO AS-75800-999 FOR BOARD APPLICATION INFORMATION.
 - REFER TO AS-75800-002 FOR BOARD LAYOUT ROUTING RECOMMENDATIONS.
 - REFER TO AS-75800-003 FOR SI GUIDELINE FIXTURE DEFINITIONS.
 - DATE CODE AND PART NUMBER TO BE LASER ETCHED IN APPROXIMATE LOCATION SHOWN OR APPLIED BY LABEL. INFO TO INCLUDE PART NUMBER, MANUFACTURING FACILITY AND DATE CODE IN THE FORMAT OF WEEK AND LAST TWO DIGITS OF THE YEAR, WWYY.

PRODUCT IS RoHS COMPLIANT

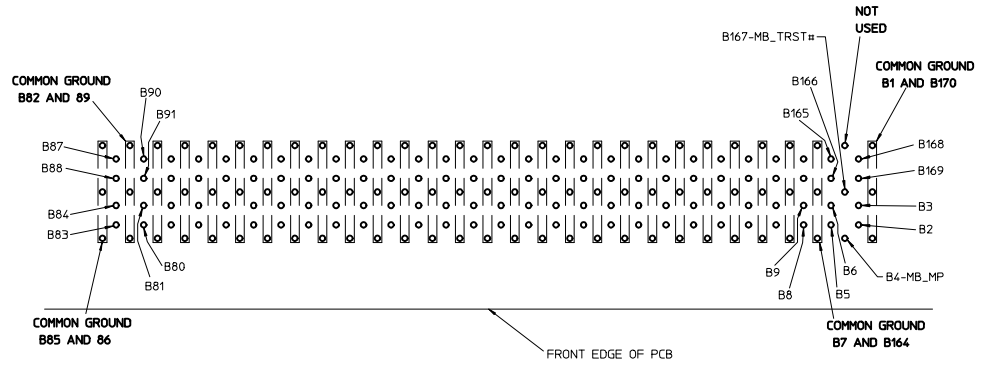
REDRAWN & REV. NOTE 4 & 7 IEC NO: UCP2016-2563 DRWNSR0814 2013/08/14 CHYKH01018 2015/12/18 APPRS: MILLER 2016/01/05	QUALITY SYMBOLS	GENERAL TOLERANCES (UNLESS SPECIFIED)	DIMENSION STYLE	SCALE	DESIGN UNITS	THIRD ANGLE PROJECTION
	∇=0 ∇=0 ∇=0	mm INCH	MM ONLY	2:1	METRIC	ADVANCED MC (AMC) B+ STYLE CONNECTOR
	4 PLACES ± --- ± --- 3 PLACES ± --- ± .005 2 PLACES ± 0.13 ± .010 1 PLACE ± 0.25 ± --- 0 PLACE ± ±	DRAWN BY DATE HAVERY 2006/08/30 CHECKED BY DATE MWOLFE 2015/12/18 APPROVED BY DATE	MATERIAL NO. 75800-0001	DOCUMENT NO. SD-75800-001	SHEET NO. 1 OF 2	
	ANGULAR ±1/2° DRAFT WHERE APPLICABLE MUST REMAIN WITHIN DIMENSIONS	THIS DRAWING CONTAINS INFORMATION THAT IS PROPRIETARY TO MOLEX INCORPORATED AND SHOULD NOT BE USED WITHOUT WRITTEN PERMISSION				



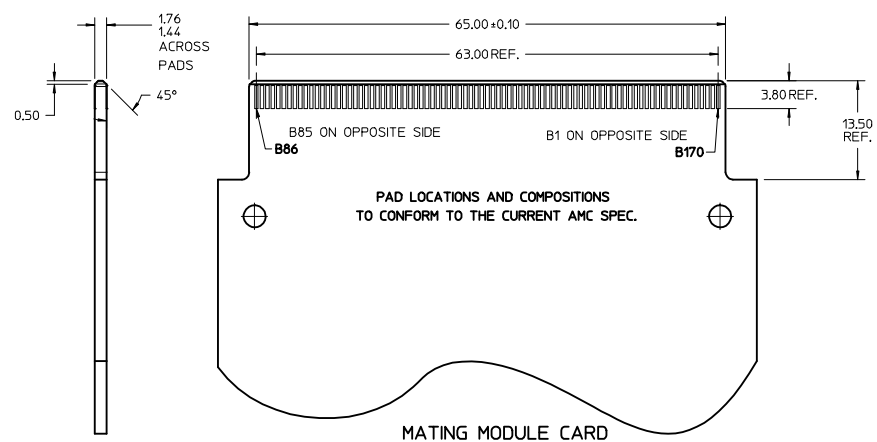
DETAIL 1
SCALE 6:1



RECOMMENDED PCB LAYOUT
COMPONENT SIDE



CONNECTOR PINOUT
COMPONENT SIDE



MATING MODULE CARD
DETAIL
TOP VIEW

SEE SHEET 1 EC NO: UCP2016-2563 DRAWNS: BÖGIEL 2013/08/14 CHYK: MWOLFE 2015/12/18 APPR: MILLER 2016/01/05	QUALITY SYMBOLS	GENERAL TOLERANCES (UNLESS SPECIFIED)	DIMENSION STYLE	SCALE	DESIGN UNITS	THIRD ANGLE PROJECTION
	▽=0	mm INCH	MM ONLY	2:1	METRIC	☉
	▽=0	4 PLACES ±.005 ±.010	DRAWN BY	DATE	TITLE	
	▽=0	3 PLACES ±.013 ±.025	HAVERY	2006/08/30	ADVANCED MC (AMC) B+ STYLE CONNECTOR	
▽=0	2 PLACES ±.025 ±.040	CHECKED BY	DATE	molex MATERIAL NO. 75800-0001 DOCUMENT NO. SD-75800-001 SHEET NO. 2 OF 2		
▽=0	1 PLACE ±.040 ±.050	MWOLFE	2015/12/18			
▽=0	0 PLACE ±.050 ±.063	APPROVED BY	DATE	THIS DRAWING CONTAINS INFORMATION THAT IS PROPRIETARY TO MOLEX INCORPORATED AND SHOULD NOT BE USED WITHOUT WRITTEN PERMISSION		
		ANGULAR ±1/2°				
		DRAFT WHERE APPLICABLE MUST REMAIN WITHIN DIMENSIONS				