

THIS DRAWING IS UNPUBLISHED.

RELEASED FOR PUBLICATION

© COPYRIGHT -

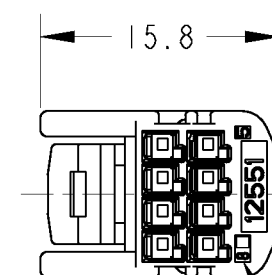
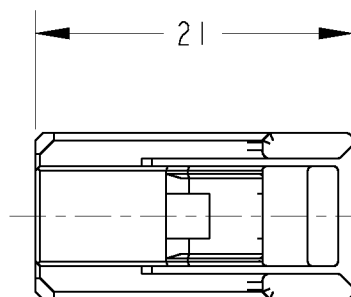
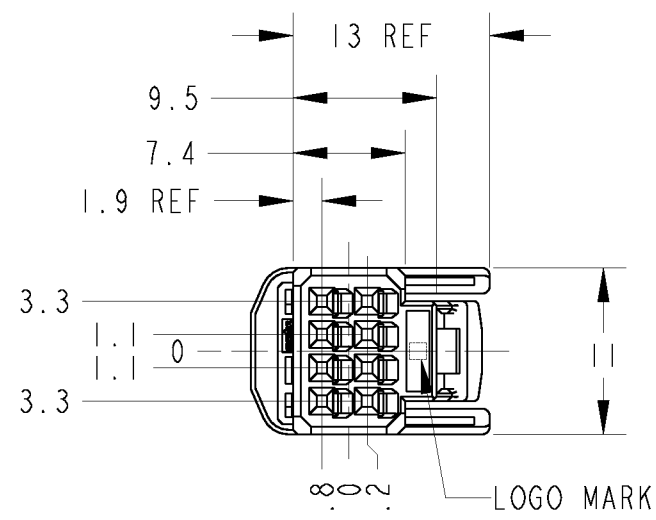
ALL RIGHTS RESERVED.

LOC  
J

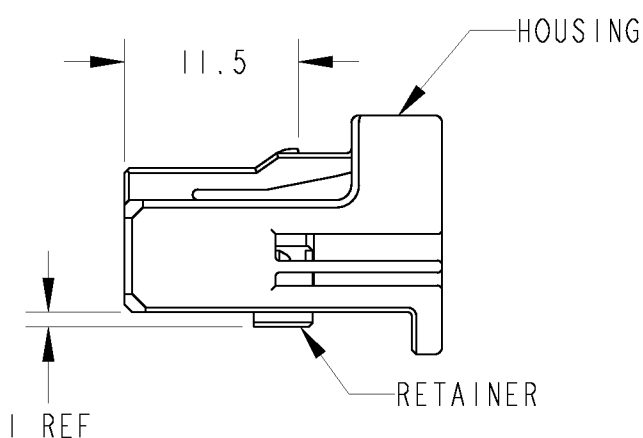
DIST  
-

REVISIONS

P	LTR	DESCRIPTION	DATE	DWN	APVD
	A1	REVISED PER ECO-11-005140	09APR2011	RK	HMR



CURCUIT NO.



1. RETAINER SHOULD BE SENT TO THE PRE-ASSEMBLY.
2. INSTRUCTION SHEET NO. 411-78080.
3. PART NUMBER OF CAP HOUSING TO BE MATED : SEE TABLE-1
4. APPLIED TERMINALS : SEE TABLE-2

1. プラグハウジングにリテーナを仮係止して出荷される
2. 取扱説明書NO. 411-78080
3. 嵌合相手型番 : TABLE-1参照
4. 適用端子 : TABLE-2参照

TABLE - 1

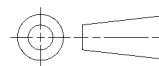
POS 極数	CAP ASSEMBLY PART NO. キャップ 型番
8	W-W 1473793
	W-B 1376350

TABLE - 2

	TERMINAL NO. 端子型番	APPLICABLE WIRE RANGE 適用電線
SIGNAL 0.64 III	TIN	1674311-1 AVSS/CAVS/CAVUS/AVSSH-f 0.3~0.5mm <sup>2</sup>
		1674936-1 CAVS/CAVUS/CHFUS 0.22mm <sup>2</sup>
	SELECTIVE GOLD	1674311-2 AVSS/CAVS/CAVUS/AVSSH-f 0.3~0.5mm <sup>2</sup>
		1674936-2 CAVS/CAVUS/CHFUS 0.22mm <sup>2</sup>

THIS DRAWING IS A CONTROLLED DOCUMENT.

DIMENSIONS:  
単位: ㎜



MATERIAL  
材料 PBT

TOLERANCES UNLESS OTHERWISE SPECIFIED:

一般公差 ±0.3

0-PLC ±

1-PLC ±0.1

2-PLC ±0.01

3-PLC ±0.001

4-PLC ±0.0001

ANGLES ±3'00"

FINISH  
仕上 SEE TABLE

DWN S. AMEMIYA 26JAN04

CHK H. YAMAGAMI 26JAN04

APVD K. ASAI 26JAN04

PRODUCT SPEC  
製品規格 108-5931

APPLICATION SPEC  
取付適用規格 114-5329

WEIGHT 1.7 g

CUSTOMER DRAWING

PACKING STYLE 梱包形態	COLOR	PART NUMBER
PAPER BOX ダンボール	BLACK	1717103-2
PLASTIC BAG ビニール袋	NATURAL	1717103-1
OUTER 外装	COLOR	PART NUMBER
INNER 内装		

**STE** TE Connectivity

0.64111 8P PLUG HSG ASSEMBLY

SIZE A3 CAGE CODE 00779 DRAWING NO. 1717103 RESTRICTED TO

SCALE 2:1 SHEET 1 OF 1 REV A1