

Technical specification:

| | |
|---------------------------------------|---------------------------|
| Rated voltage: IEC 61076-2-101 | 5pos 60 V |
| Current rating: IEC 61076-2-101 | 4A at 40°C |
| Insulation resistance: IEC 60512-2 | $\geq 10 \text{ G}\Omega$ |
| Pollution degree: IEC 60664-1 | 3/2 |
| Degree of protection: IEC 60529 | IP 67, in mated condition |
| Temperature range: IEC 60664-1 | -20°C ... +80°C |
| Mating cycles: IEC 60512-9a | ≤ 100 |

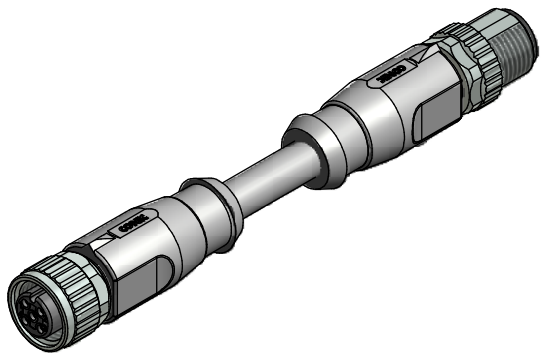
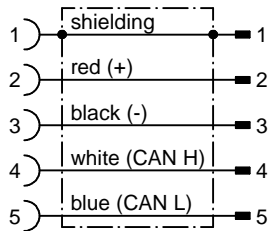
Materials:

| | |
|-------------------------|----------------------|
| Contact: | CuZn |
| Contact plating: | Nickel, gold plated |
| Contact carrier: | TPU GF, UL 94 |
| Sealing: | FPM |
| Coupling nut/ screw: | GD-Zn, nickel plated |
| Moulding body: | TPU, UL 94, grey |

Installation specification:

| | |
|--------------------------|---|
| Recommended torque: | 0,6 Nm |
| Conec installation tool: | Torque wrench: 36-000200 Insert across flats 13: 36-000220 |

Contact assignment:



| Part no: | Description: | Length L: | Cable: |
|----------|--|-----------|---|
| 43-12524 | SAL - DN - 12 - RK5.3 - RS5.3 - 0,3 / GC | 0,3m | PVC, UL, grey, 2xAWG22 + 2xAWG23 Cable: 781-GC001H |
| 43-12525 | SAL - DN - 12 - RK5.3 - RS5.3 - 0,6 / GC | 0,6m | |
| 43-12526 | SAL - DN - 12 - RK5.3 - RS5.3 - 1,5 / GC | 1,5m | |
| 43-12527 | SAL - DN - 12 - RK5.3 - RS5.3 - 3 / GC | 3m | |
| 43-xxxxx | SAL - DN - 12 - RK5.3 - RS5.3 - ... / GC | x | |

D see data sheet cable

| | | | | | | | | | | |
|--|--|--------------------|---|--|------|------|----------------|---------|----------------|-------|
| DO NOT ALTER CAD DRAWING BY HAND Directive 2002/95/EC RoHS compliant | Index: a 14.03.2011 VF Ä3767 Coupling nut/ screw modified, spanner flats added, data sheet modified | dim. in mm | title: Connecting cable M12x1, female connector axial - male connector axial, DeviceNet | | | | | | | |
| | tolerance of cable: L \leq 4m: L + 40mm L > 4m: L + 1% | | | <table border="1"> <tr> <td>date</td> <td>name</td> </tr> <tr> <td>drawn 04.11.08</td> <td>Mankopf</td> </tr> <tr> <td>appd. 04.11.08</td> <td>Fromm</td> </tr> </table> | date | name | drawn 04.11.08 | Mankopf | appd. 04.11.08 | Fromm |
| | date | name | | | | | | | | |
| | drawn 04.11.08 | Mankopf | | | | | | | | |
| appd. 04.11.08 | Fromm | | | | | | | | | |
| general tolerance: 0 \pm 0,50mm 0,0 \pm 0,25mm 0,00 \pm 0,10mm | | 43K1A806 | | | | | | | | |
| THIS DRAWING MAY NOT BE COPIED OR REPRODUCED IN ANY WAY, AND MAY NOT BE PASSED ON TO A THIRD PARTY WITHOUT WRITTEN PERMISSION. OWNERSHIP AND COPYRIGHT OF CONEC GmbH | | part no: see table | | | | | | | | |