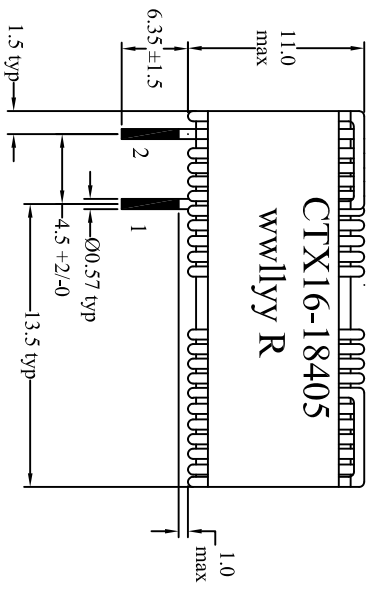
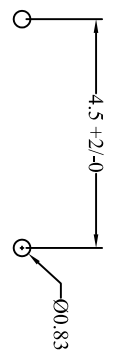


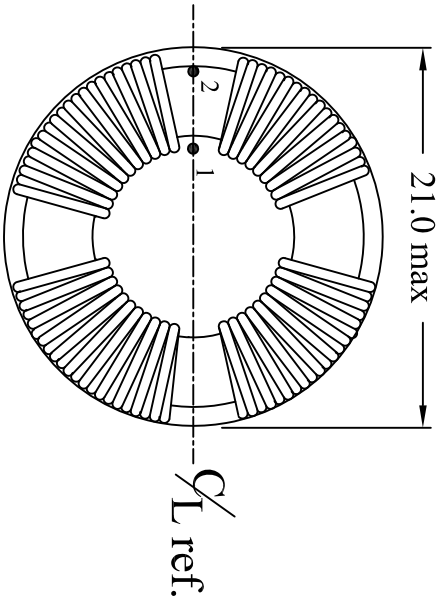
FRONT VIEW



RECOMMENDED PCB LAYOUT



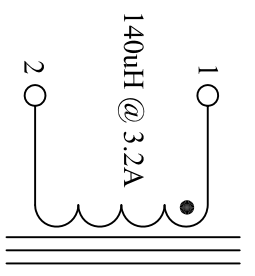
BOTTOM VIEW



ELECTRICAL CHARACTERISTICS

- OCL @ 100kHz, 0.10Vrms @ 0.0A dc. 315.0 - 396.0uH.
- OCL @ 100kHz, 0.10Vrms @ 3.2A dc. 140.0 uH min.
- DCR @ 20°C; 0.19 Ohms max.
- Self resonance frequency >2 MHz.

SCHEMATIC



Notes:

- 1) All Dimensions are in millimeters unless otherwise specified.
 - 2) Tolerances are +/- 0.50 mm unless stated otherwise.
 - 3) wwllly = (Date Code) R= (Revision Level)
 - 4) PCB tolerances are +/- 0.1 unless stated otherwise.
 - 5) The wires are tinned flush to 1.0mm maximum below the seating plane.
 - 6) RoHS compliant
- This document subject to change without notice.

<p>Cooper Electronic Technologies 1225 Broken Sound Parkway NW, Suite F, Boca Raton, FL 33487</p>		
		<p>Inductor, PFC 85 - 265Vac :400V @ .375A (150 Watts)</p>
<p>200KHz, 140uH @ 3.2 A peak Toroid, Vertical THT, 2 Wire</p>		
Size	Drawing Number:	CTX16-18405-R
A	Revision Level:	A