

VFC-PT/D9SUB/F - Interface module



1278826

<https://www.phoenixcontact.com/us/products/1278826>

Please be informed that the data shown in this PDF document is generated from our online catalog. Please find the complete data in the user documentation. Our general terms of use for downloads are valid.

VARIOFACE Front Connect, 1:1 D-SUB termination board with Push-in front connections and D-SUB female strip, number of positions: 9, overall width: 19 mm



Your advantages

- Fast, clear, and error-free wiring, thanks to Push-in terminal blocks with front connection technology
- Up to 60 % less space required in the control cabinet compared to conventional solutions due to the innovative design with an installation width of 19 mm
- Plug and Play connection to the remote IO and field level with the comprehensive system cabling range from Phoenix Contact
- Optimum support for your distributed I/O devices, thanks to high flexibility and the slim design
- Optically and haptically compatible with modern remote IO systems

Commercial data

Item number	1278826
Packing unit	1 pc
Minimum order quantity	1 pc
Sales key	C422
Product key	CK2224
GTIN	4063151476236
Weight per piece (including packing)	87.9 g
Weight per piece (excluding packing)	87.9 g
Customs tariff number	85366990
Country of origin	DE

VFC-PT/D9SUB/F - Interface module



1278826

<https://www.phoenixcontact.com/us/products/1278826>

Technical data

Notes

General	For proper use, the specifications of the installation directive (see Downloads) must be observed.
---------	--

Product properties

Product type	Interface module
Product family	VARIOFACE Front Connect

Insulation characteristics

Insulation	Functional insulation
------------	-----------------------

Insulation characteristics: Air clearances and creepage distances

Insulation	Functional insulation
Overvoltage category	II
Pollution degree	2

Electrical properties

Max. permissible operating voltage	30 V AC
	60 V DC
Max. permissible current	2 A (per branch)

Air clearances and creepage distances

Rated insulation voltage	63 V
Rated surge voltage	0.8 kV (1.2/50 µs)

Connection data

Controller level

Connection in acc. with standard	IEC 60807-2
	DIN 41652
Connection method	D-SUB socket strip
Number of connections	1
Number of positions	9

Field level

Connection method	Push-in connection
Stripping length	10 mm
Number of positions	12
Conductor cross section rigid	0.2 mm ² ... 1.5 mm ²
Conductor cross section flexible	0.2 mm ² ... 2.5 mm ²
	0.25 mm ² ... 1.5 mm ² (Ferrules without plastic sleeve)
	0.25 mm ² ... 1.5 mm ² (Ferrule with plastic sleeve)
Conductor cross section AWG	24 ... 16

VFC-PT/D9SUB/F - Interface module



1278826

<https://www.phoenixcontact.com/us/products/1278826>

Dimensions

Width	18.9 mm
Height	127.22274 mm
Depth	46.85 mm
Width	18.9 mm
Height	127 mm
Depth	46.85 mm

Material specifications

Flammability rating according to UL 94	V0
--	----

Environmental and real-life conditions

Ambient conditions

Degree of protection	IP20
Degree of protection (Installation location)	IP54 (Installation location)
Ambient temperature (operation)	-40 °C ... 70 °C (≤ 2000 m) -40 °C ... 63 °C (2001 m - 3000 m)
Altitude	≤ 3000 m

Approvals

UL, USA/Canada

Identification	UL 61010-2-201
----------------	----------------

CSA, USA/Canada

Identification	CSA C22.2 NO. 61010-2-201
----------------	---------------------------

Standards and regulations

Air clearances and creepage distances

Standards/regulations	DIN EN 60664-1
-----------------------	----------------

Mounting

Mounting type	DIN rail mounting
Mounting position	any

VFC-PT/D9SUB/F - Interface module

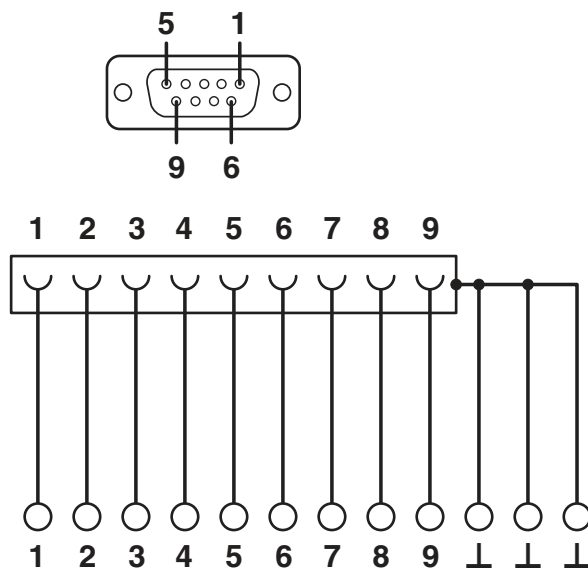
1278826

<https://www.phoenixcontact.com/us/products/1278826>



Drawings

Circuit diagram



VFC-PT/D9SUB/F - Interface module



1278826

<https://www.phoenixcontact.com/us/products/1278826>

Approvals

🔗 To download certificates, visit the product detail page: <https://www.phoenixcontact.com/us/products/1278826>



UL Listed

Approval ID: FILE E 238705



cUL Listed

Approval ID: FILE E 238705

cULus Listed

VFC-PT/D9SUB/F - Interface module



1278826

<https://www.phoenixcontact.com/us/products/1278826>

Classifications

ECLASS

ECLASS-11.0	27141152
ECLASS-12.0	27141152
ECLASS-13.0	27141152

ETIM

ETIM 8.0	EC002780
----------	----------

UNSPSC

UNSPSC 21.0	39121400
-------------	----------

VFC-PT/D9SUB/F - Interface module



1278826

<https://www.phoenixcontact.com/us/products/1278826>

Environmental product compliance

China RoHS	Environmentally friendly use period: unlimited = EFUP-e
	No hazardous substances above threshold values

VFC-PT/D9SUB/F - Interface module



1278826

<https://www.phoenixcontact.com/us/products/1278826>

Accessories

CABLE D-SUB-S/.../.../... - Cable

2302340

<https://www.phoenixcontact.com/us/products/2302340>



Shielded round cable, assembled with one D-SUB female and pin strip (9-, 15-, 25-, 37-, or 50-pos.), variable cable length

CABLE D-SUB-S-S-S/.../.../... - Cable

2302434

<https://www.phoenixcontact.com/us/products/2302434>



Shielded round cable, assembled with two D-SUB pin strips (9-, 15-, 25-, 37-, or 50-pos.), variable cable length

VFC-PT/D9SUB/F - Interface module

1278826

<https://www.phoenixcontact.com/us/products/1278826>



SK 2,8 WH:REEL - Marker strip

0805205

<https://www.phoenixcontact.com/us/products/0805205>



Marker strip, Roll, white, unlabeled, can be labeled with: THERMOMARK E.300 (D)/600 (D), THERMOMARK ROLL 2.0, THERMOMARK ROLL, THERMOMARK ROLL X1, THERMOMARK ROLLMASTER 300/600, THERMOMARK X1.2, mounting type: adhesive, lettering field size: continuous x 2.8 mm, Number of individual labels: 480000

CABLE-D 9SUB/B/S/ 50/KONFEK/S - Cable

2299987

<https://www.phoenixcontact.com/us/products/2299987>



Assembled shielded round cable; connection 1: D-SUB socket strip (1x 9-position); connection 2: D-SUB pin strip (1x 9-position); cable length: 0.5 m

VFC-PT/D9SUB/F - Interface module

1278826

<https://www.phoenixcontact.com/us/products/1278826>



CABLE-D 9SUB/B/S/100/KONFEK/S - Cable

2299990

<https://www.phoenixcontact.com/us/products/2299990>



Assembled shielded round cable; connection 1: D-SUB socket strip (1x 9-position); connection 2: D-SUB pin strip (1x 9-position); cable length: 1 m

CABLE-D 9SUB/B/S/150/KONFEK/S - Cable

2300009

<https://www.phoenixcontact.com/us/products/2300009>



Assembled shielded round cable; connection 1: D-SUB socket strip (1x 9-position); connection 2: D-SUB pin strip (1x 9-position); cable length: 1.5 m

VFC-PT/D9SUB/F - Interface module

1278826

<https://www.phoenixcontact.com/us/products/1278826>



CABLE-D 9SUB/B/S/200/KONFEK/S - Cable

2302010

<https://www.phoenixcontact.com/us/products/2302010>



Assembled shielded round cable; connection 1: D-SUB socket strip (1x 9-position); connection 2: D-SUB pin strip (1x 9-position); cable length: 2 m

CABLE-D 9SUB/B/S/300/KONFEK/S - Cable

2302023

<https://www.phoenixcontact.com/us/products/2302023>



Assembled shielded round cable; connection 1: D-SUB socket strip (1x 9-position); connection 2: D-SUB pin strip (1x 9-position); cable length: 3 m

VFC-PT/D9SUB/F - Interface module

1278826

<https://www.phoenixcontact.com/us/products/1278826>



CABLE-D 9SUB/B/S/400/KONFEK/S - Cable

2302036

<https://www.phoenixcontact.com/us/products/2302036>



Assembled shielded round cable; connection 1: D-SUB socket strip (1x 9-position); connection 2: D-SUB pin strip (1x 9-position); cable length: 4 m

CABLE-D 9SUB/B/S/600/KONFEK/S - Cable

2302049

<https://www.phoenixcontact.com/us/products/2302049>



Assembled shielded round cable; connection 1: D-SUB socket strip (1x 9-position); connection 2: D-SUB pin strip (1x 9-position); cable length: 6 m

VFC-PT/D9SUB/F - Interface module

1278826

<https://www.phoenixcontact.com/us/products/1278826>

CABLE-D 9SUB/B/S/HF/S/ 1,0M - Cable

1066591

<https://www.phoenixcontact.com/us/products/1066591>



Assembled, shielded, halogen-free round cable; connection 1: D-SUB socket strip (1x 9-position); connection 2: D-SUB pin strip (1x 9-position); cable length: 1 m

CABLE-D 9SUB/B/S/HF/S/ 2,0M - Cable

1066592

<https://www.phoenixcontact.com/us/products/1066592>



Assembled, shielded, halogen-free round cable; connection 1: D-SUB socket strip (1x 9-position); connection 2: D-SUB pin strip (1x 9-position); cable length: 2 m

VFC-PT/D9SUB/F - Interface module

1278826

<https://www.phoenixcontact.com/us/products/1278826>



CABLE-D 9SUB/B/S/HF/S/ 3,0M - Cable

1066593

<https://www.phoenixcontact.com/us/products/1066593>



Assembled, shielded, halogen-free round cable; connection 1: D-SUB socket strip (1x 9-position); connection 2: D-SUB pin strip (1x 9-position); cable length: 3 m

CABLE-D 9SUB-B-S-HF-S/... - Cable

1075568

<https://www.phoenixcontact.com/us/products/1075568>



Assembled, shielded, halogen-free round cable; connection 1: D-SUB socket strip (1x 9-position); connection 2: D-SUB pin strip (1x 9-position); cable length: variable

VFC-PT/D9SUB/F - Interface module



1278826

<https://www.phoenixcontact.com/us/products/1278826>

CABLE-D 9SUB/S/S/100/KONFEK/S - Cable

2305570

<https://www.phoenixcontact.com/us/products/2305570>



Assembled shielded round cable; connection 1: D-SUB pin strip (1x 9-position); connection 2: D-SUB pin strip (1x 9-position); cable length: 1 m

CABLE-D 9SUB/S/S/200/KONFEK/S - Cable

2305583

<https://www.phoenixcontact.com/us/products/2305583>



Assembled shielded round cable; connection 1: D-SUB pin strip (1x 9-position); connection 2: D-SUB pin strip (1x 9-position); cable length: 2 m

VFC-PT/D9SUB/F - Interface module

1278826

<https://www.phoenixcontact.com/us/products/1278826>

CABLE-D 9SUB/S/S/300/KONFEK/S - Cable

2305596

<https://www.phoenixcontact.com/us/products/2305596>



Assembled shielded round cable; connection 1: D-SUB pin strip (1x 9-position); connection 2: D-SUB pin strip (1x 9-position); cable length: 3 m

CABLE-D 9SUB/S/S/HF/S/ 1,0M - Cable

1066594

<https://www.phoenixcontact.com/us/products/1066594>



Assembled, shielded, halogen-free round cable; connection 1: D-SUB pin strip (1x 9-position); connection 2: D-SUB pin strip (1x 9-position); cable length: 1 m

VFC-PT/D9SUB/F - Interface module

1278826

<https://www.phoenixcontact.com/us/products/1278826>

CABLE-D 9SUB/S/S/HF/S/ 2,0M - Cable

1066595

<https://www.phoenixcontact.com/us/products/1066595>



Assembled, shielded, halogen-free round cable; connection 1: D-SUB pin strip (1x 9-position); connection 2: D-SUB pin strip (1x 9-position); cable length: 2 m

CABLE-D 9SUB/S/S/HF/S/ 3,0M - Cable

1066596

<https://www.phoenixcontact.com/us/products/1066596>



Assembled, shielded, halogen-free round cable; connection 1: D-SUB pin strip (1x 9-position); connection 2: D-SUB pin strip (1x 9-position); cable length: 3 m

VFC-PT/D9SUB/F - Interface module

1278826

<https://www.phoenixcontact.com/us/products/1278826>



CABLE-D 9SUB-S-S-HF-S/... - Cable

1075567

<https://www.phoenixcontact.com/us/products/1075567>



Assembled, shielded, halogen-free round cable; connection 1: D-SUB pin strip (1x 9-position); connection 2: D-SUB pin strip (1x 9-position); cable length: variable

CABLE-D- 9SUB/M/OE/0,25/S/0,5M - Cable

2926360

<https://www.phoenixcontact.com/us/products/2926360>



Assembled shielded round cable; connection 1: Single wires (9-position) (The wires are marked and fitted with ferrules. The braided shield is routed to a separate cable end.); connection 2: D-SUB pin strip (1x 9-position); cable length: 0.5 m

VFC-PT/D9SUB/F - Interface module

1278826

<https://www.phoenixcontact.com/us/products/1278826>

CABLE-D- 9SUB/M/OE/0,25/S/1,0M - Cable

2926373

<https://www.phoenixcontact.com/us/products/2926373>



Assembled shielded round cable; connection 1: Single wires (9-position) (The wires are marked and fitted with ferrules. The braided shield is routed to a separate cable end.); connection 2: D-SUB pin strip (1x 9-position); cable length: 1 m

CABLE-D- 9SUB/M/OE/0,25/S/1,5M - Cable

2926386

<https://www.phoenixcontact.com/us/products/2926386>



Assembled shielded round cable; connection 1: Single wires (9-position) (The wires are marked and fitted with ferrules. The braided shield is routed to a separate cable end.); connection 2: D-SUB pin strip (1x 9-position); cable length: 1.5 m

VFC-PT/D9SUB/F - Interface module



1278826

<https://www.phoenixcontact.com/us/products/1278826>

CABLE-D- 9SUB/M/OE/0,25/S/2,0M - Cable

2926399

<https://www.phoenixcontact.com/us/products/2926399>



Assembled shielded round cable; connection 1: Single wires (9-position) (The wires are marked and fitted with ferrules. The braided shield is routed to a separate cable end.); connection 2: D-SUB pin strip (1x 9-position); cable length: 2 m

CABLE-D- 9SUB/M/OE/0,25/S/3,0M - Cable

2926409

<https://www.phoenixcontact.com/us/products/2926409>



Assembled shielded round cable; connection 1: Single wires (9-position) (The wires are marked and fitted with ferrules. The braided shield is routed to a separate cable end.); connection 2: D-SUB pin strip (1x 9-position); cable length: 3 m

VFC-PT/D9SUB/F - Interface module

1278826

<https://www.phoenixcontact.com/us/products/1278826>

CABLE-D- 9SUB/M/OE/0,25/S/4,0M - Cable

2926412

<https://www.phoenixcontact.com/us/products/2926412>



Assembled shielded round cable; connection 1: Single wires (9-position) (The wires are marked and fitted with ferrules. The braided shield is routed to a separate cable end.); connection 2: D-SUB pin strip (1x 9-position); cable length: 4 m

CABLE-D- 9SUB/M/OE/0,25/S/6,0M - Cable

2926425

<https://www.phoenixcontact.com/us/products/2926425>



Assembled shielded round cable; connection 1: Single wires (9-position) (The wires are marked and fitted with ferrules. The braided shield is routed to a separate cable end.); connection 2: D-SUB pin strip (1x 9-position); cable length: 6 m

VFC-PT/D9SUB/F - Interface module

1278826

<https://www.phoenixcontact.com/us/products/1278826>



CABLE-D- 9SUB-M-OE-0,25-S/... - Cable

2900909

<https://www.phoenixcontact.com/us/products/2900909>



Assembled shielded round cable; connection 1: Single wires (9-position) (The wires are marked and fitted with ferrules. The braided shield is routed to a separate cable end.); connection 2: D-SUB pin strip (1x 9-position); cable length: variable

Phoenix Contact 2023 © - all rights reserved

<https://www.phoenixcontact.com>

Phoenix Contact USA
586 Fulling Mill Road
Middletown, PA 17057, United States
(+717) 944-1300
info@phoenixcon.com