

7

6

5

4

3

2

1

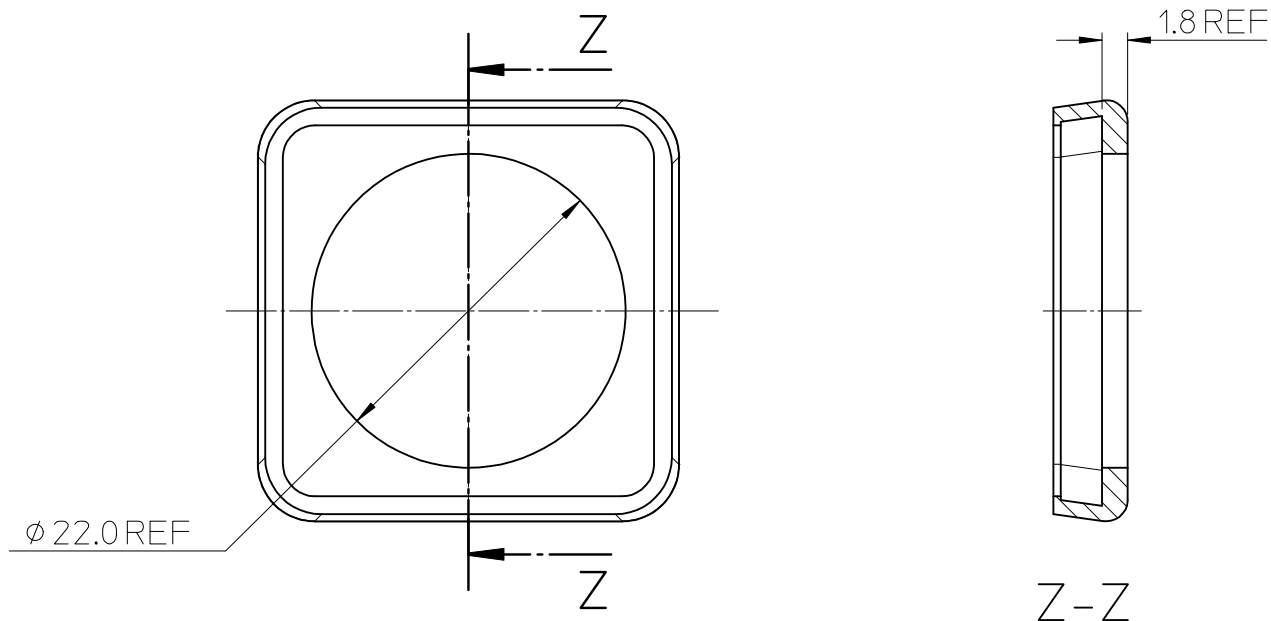
E

D

C

B

A



NOTES:

1. MATERIAL: NBR
COLOUR: BLACK
2. PACKAGING SPEC: PK-121129-001
100 PIECES IN A PLASTIC BAG
3. mPm NO: 3011-03

ORIGINAL RELEASE EC NO: IPG2013-1176 DRWN:DSHEA 2013/01/31 CHKD:SMCGREEVY 2013/02/19 APPR:STGRIFFIN 2013/02/28	QUALITY SYMBOLS $\blacktriangledown = 0$ $\triangleleft = 0$	GENERAL TOLERANCES (UNLESS SPECIFIED)		DIMENSION STYLE MM ONLY		SCALE 2:1	DESIGN UNITS METRIC	THIRD ANGLE PROJECTION		
			mm	INCH	DRAWN BY DSHEA	DATE 2013/01/31	TITLE G11 NBR PROFILE GASKET 100 PIECES/BAG			
		4 PLACES	\pm ---	\pm ---	CHECKED BY SMCGREEVY	DATE 2013/02/19				
		3 PLACES	\pm ---	\pm ---	APPROVED BY STGRIFFIN	DATE 2013/02/28	molex			
		2 PLACES	± 0.10	\pm ---	MATERIAL NO. 1211290080					
1 PLACE	± 0.20	\pm ---	DRAFT WHERE APPLICABLE MUST REMAIN WITHIN DIMENSIONS							
0 PLACE	\pm ---	\pm ---	ANGULAR $\pm 2^\circ$							
A	REV	SIZE A4							THIS DRAWING CONTAINS INFORMATION THAT IS PROPRIETARY TO MOLEX INCORPORATED AND SHOULD NOT BE USED WITHOUT WRITTEN PERMISSION	

6

5

4

3

2

1