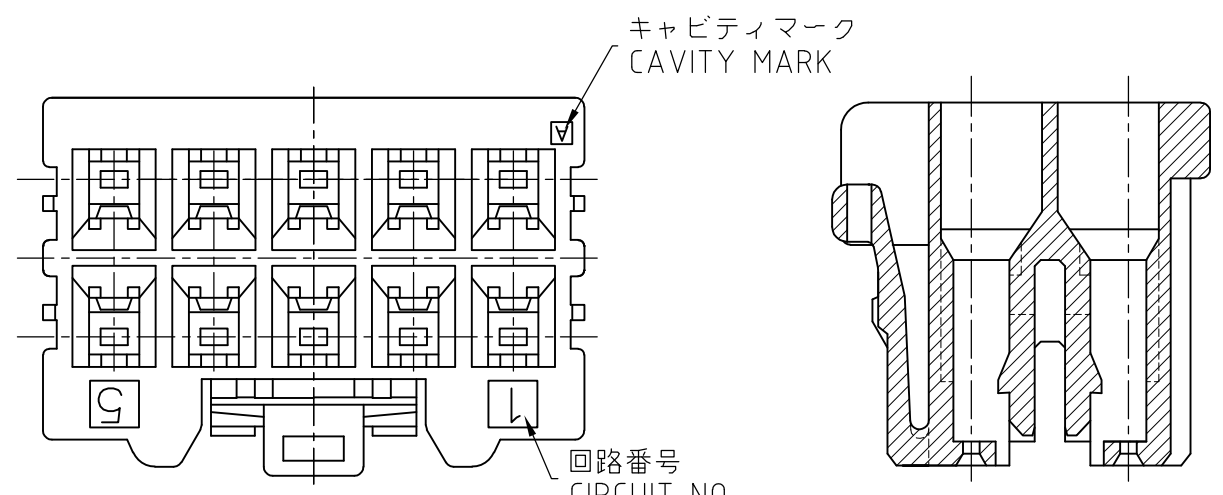


THIS DRAWING IS UNPUBLISHED. RELEASED FOR PUBLICATION
 © COPYRIGHT BY TYCO ELECTRONICS CORPORATION. ALL RIGHTS RESERVED.

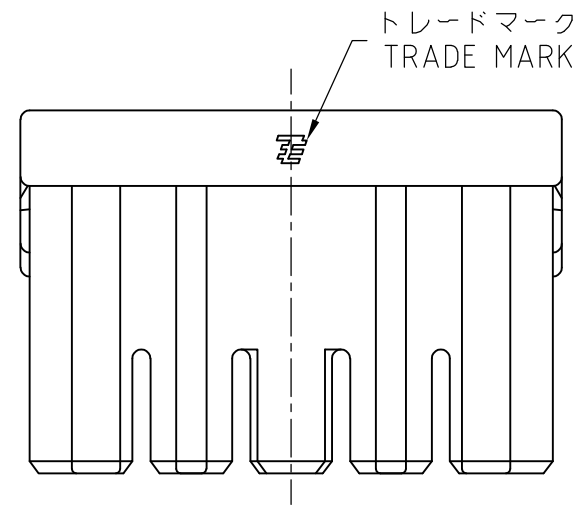
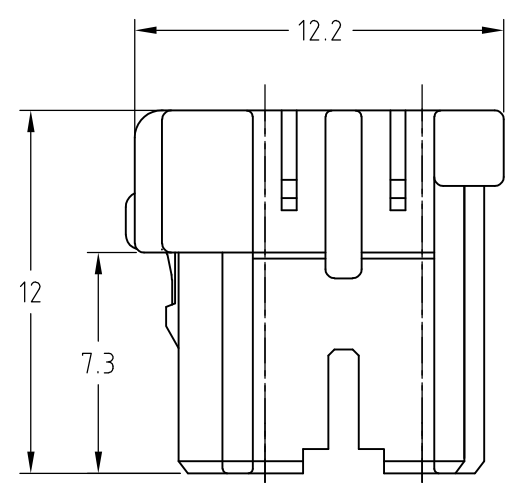
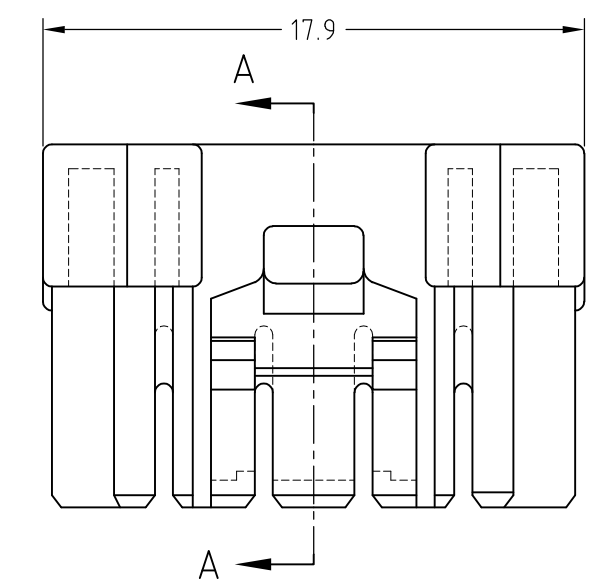
LOC	DIST	REVISIONS					
J	—	P	LTR	DESCRIPTION	DATE	DWN	APVD
			B1	REVISED PER ECR-10-019980	04OCT10	HMR	TM



断面 A-A
SECT A-A

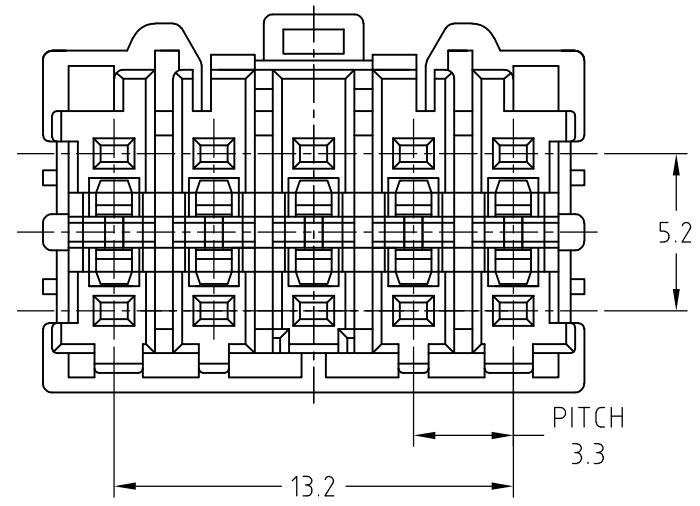
TABLE

プラグハウジング	6/6ナイロンガラス強化UL94V-0
PLUG HOUSING	6/6NYLON GRASS FILLED UL94V-0
名前 (NAME)	材料 (MATERIAL)



- 注
- ① かん合相手型番：
ヘッダーアッセンブリ：SEE TABLE
 - ② 適用端子型番：
リセ コンタクト：1827395-1

- NOTES
- ① MATING CONN. P/N
HEADER ASSEMBLY:SEE TABLE
 - ② APPLICABLE CONTACT P/N:
REC CONTACT:1827395-1



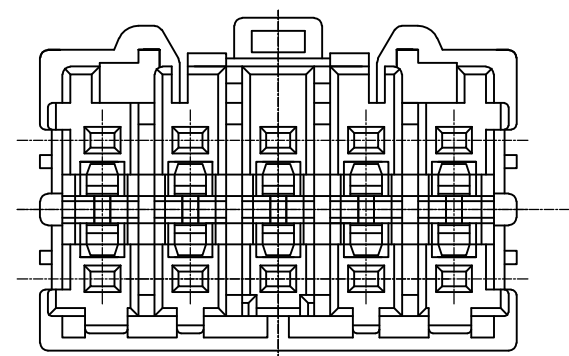
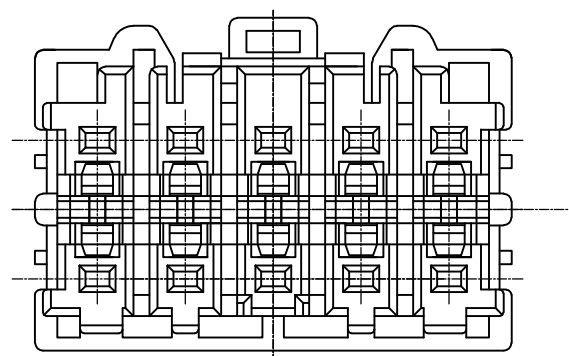
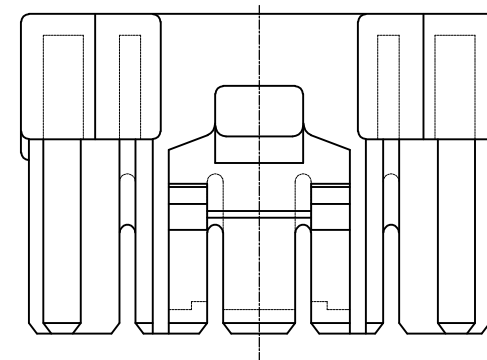
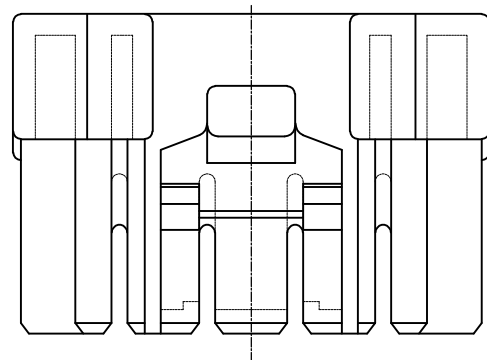
2-1939983-3	TYPE C	青色 BLUE	2-1939984-3
1939983-1	TYPE A	自然色 NATURAL	1939984-1
かん合相手型番 MATING CONN. P/N	①	キーイング形状 TYPE OF KEYING	型番 PART NUMBER

THIS DRAWING IS A CONTROLLED DOCUMENT.		DWN J.SATO 13OCT2006	Tyco Electronics AMP K.K. Kawasaki, Japan	
DIMENSIONS: 単位： 耗 mm		CHK N.YAMASAKI 13OCT2006	NAME 名称	
TOLERANCES UNLESS OTHERWISE SPECIFIED: 一般公差		APVD N.YAMASAKI 13OCT2006	PRODUCT SPEC 製品規格 108-78231	
0 PLC ± 0.3 1 PLC ± 0.3 2 PLC ± 0.3 3 PLC ± 4 PLC ± ANGLES ±		APPLICATION SPEC 取付適用規格 114-5372	GRACE INERTIA CONNECTOR 3.3 PLUG HOUSING 10POS 2ROW	
MATERIAL 材料 SEE TABLE	FINISH 仕上	WEIGHT	SIZE A3	CAGE CODE 00779
			DRAWING NO 番号 G-1939984	RESTRICTED TO —
CUSTOMER DRAWING		SCALE 尺度 4:1	SHEET 1 OF 2	REV B1

THIS DRAWING IS UNPUBLISHED. RELEASED FOR PUBLICATION
 © COPYRIGHT BY TYCO ELECTRONICS CORPORATION. ALL RIGHTS RESERVED.

LOC	DIST	REVISIONS 変更					
J	—	P	LTR	DESCRIPTION	DATE	DWN	APVD
		—		SEE SHEET 1	—	—	—

キーイングタイプ
TYPE OF KEYING



TYPE A

TYPE C

THIS DRAWING IS A CONTROLLED DOCUMENT.		DWN	Tyco Electronics AMP K.K. Kawasaki, Japan		
DIMENSIONS: 単位: 寸 mm		CHK	NAME 名称		
TOLERANCES UNLESS OTHERWISE SPECIFIED: 一般公差		APVD	PRODUCT SPEC 製品規格		
0 PLC ± 0.3		APPLICATION SPEC 取付適用規格		SIZE	RESTRICTED TO
1 PLC ± 0.3		WEIGHT		CAGE CODE	
2 PLC ± 0.3		CUSTOMER DRAWING		DRAWING NO 番号	
3 PLC ±				SCALE	SHEET
4 PLC ±				尺度 4:1	2 OF 2
ANGLES ±				REV	B1
FINISH 仕上					
MATERIAL 材料 SEE TABLE					