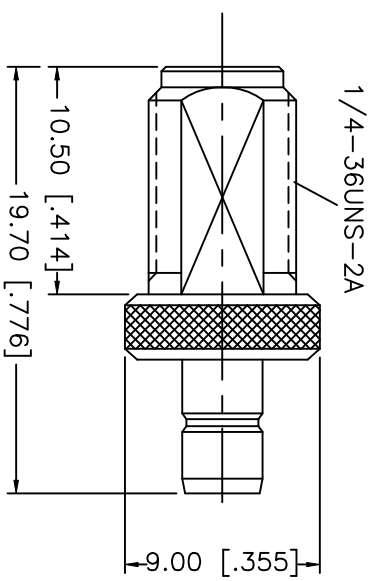
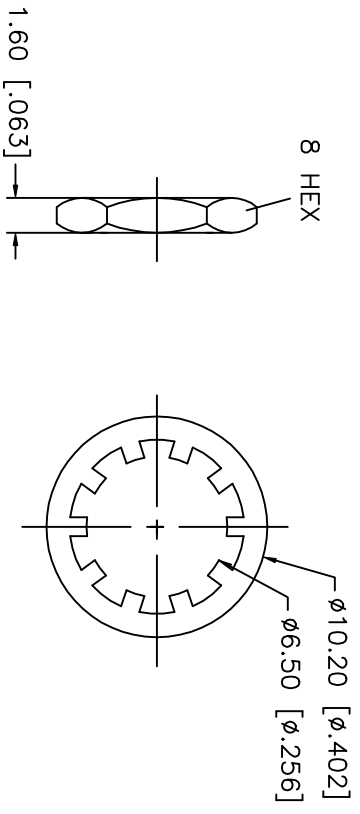
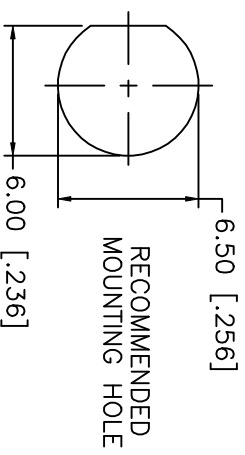


REV.	DATE	DESCRIPTION
NC	08/28/02	INITIAL RELEASE



NOTE:  
1. MAX. PANEL THICKNESS = 2.4mm

8				UNLESS OTHERWISE SPECIFIED DIMENSIONS ARE IN MILLIMETERS	APPROVALS	DATE	TITLE			REV.
7				DIMENSIONS IN [ ] ARE IN INCHES FOR CUSTOMER REFERENCE ONLY	DRAWN	08/28/02	SMA BULKHEAD JACK TO SMB JACK ADAPTOR			NC
6				UNLESS OTHERWISE SPECIFIED TOLERANCES FOR INCHES ARE: .XXX = ± 0.005" .XX = ± 0.010" .X = ± 0.020"	CHECKED		Amphenol - Connex CONNECTOR CORPORATION			
5	HEX NUT	BRASS	GOLD		ISSUED		CONNECTOR CORPORATION			
4	LOCK WASHER	BRASS	GOLD				SMA BULKHEAD JACK TO SMB JACK ADAPTOR			
3	CONTACT PIN	BER. COPPER	GOLD				CONNECTOR CORPORATION			
2	INSULATOR	TEFLON	NATURAL				SMA BULKHEAD JACK TO SMB JACK ADAPTOR			
1	BODY	BRASS	GOLD				CONNECTOR CORPORATION			
	DESCRIPTION	MATERIAL	FINISH	DO NOT SCALE DRAWING			SCALE	PART NO.	SHEET	
							A	99001	1 OF 1	