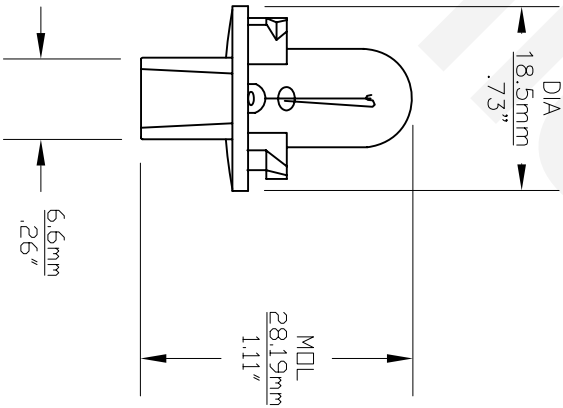
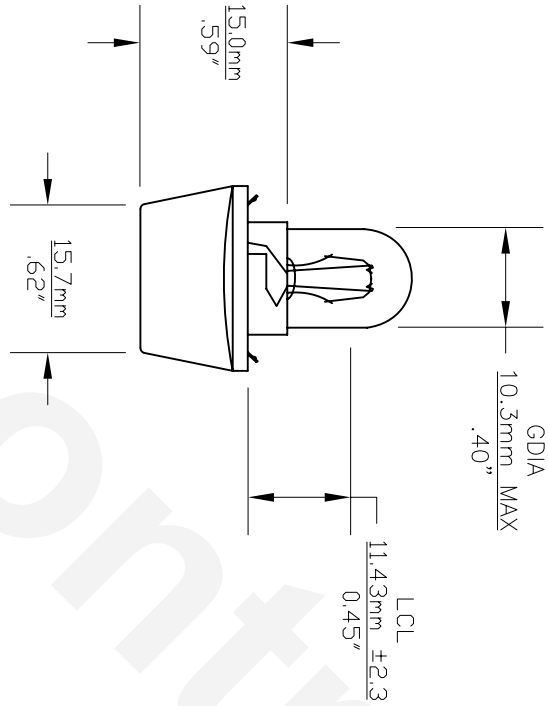


PART NO.	BASE TYPE	DESIGN VOLTS	DESIGN AMPS	MSCD	FLAMENT TYPE	AVERAGE LIFE HOURS
PC161	PRINTED CIRCUIT SOCKET	14	0.19 ±10%	1 ±20%	C-2F	4000



REVISIONS			
REV	DESCRIPTION	DATE	APPROVED
1	ISSUED	10/28/2008	D.C.

UNLESS OTHERWISE SPECIFIED: DIMENSIONS ARE IN INCHES TOLERANCES		DECIMALS .05		ANGULAR ± 0.5	
XX ± .010		XX ± .010		XX ± .010	
FRACTIONAL		FRACTIONAL		FRACTIONAL	
DRAWN	DATE	10/28/2008			
D. C.					
CHECKED					
DESIGN					
MATERIAL					
TITLE		CEC INDUSTRIES LTD			
599 BOND STREET		LINCOLNSHIRE, IL 60069			
PRINTED CIRCUIT SOCKET PC161					
SIZE	FSCM NO.	DWG NO.	PC161		
A					
SCALE	PLOT SCALE	SHEET	1	OF	1
		REV	1		
FILE	PC161.dwg	DO NOT SCALE DRAWING			