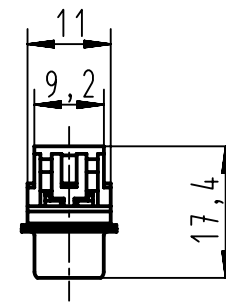
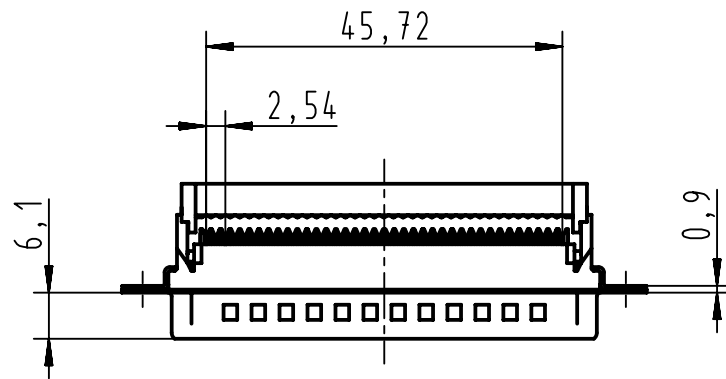
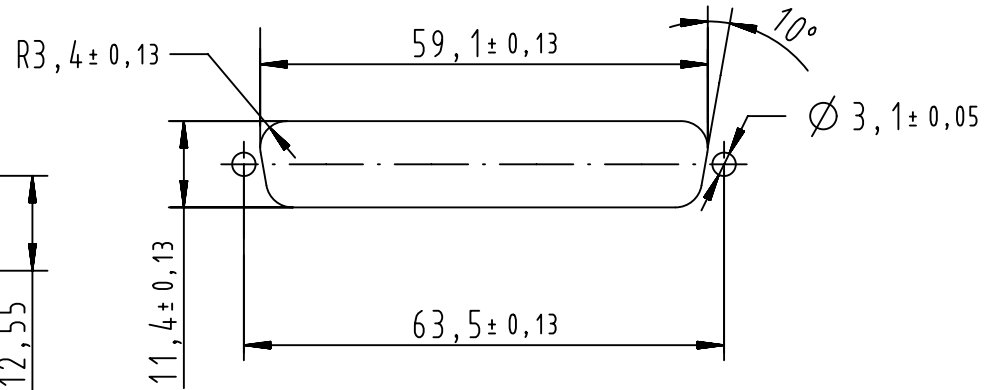


Recommended panel cutout dimensions
for rear mounting
According to CECC 75 301-802



After cover closing

		All Dimensions in mm Original Size DIN A4		Scale 1:1		Free size tol.		Ref.	
		All rights reserved Department EC PD - FR		Created by DOUGE		Inspected by BAGDIKIAN		Standardisation HOFFMANN	
09664287700		PL3		Date 2013-04-23		State Final Release		Doc-Key / ECM-Nr. 100527232/UGD/001/A 5300000858839	
09664286700		PL2		Title D-Sub IDC 37P male straight		Rev. A		Page 1/1	
Part number		Performance level		HARTING Electronics GmbH D-32339 Espelkamp		Type TB		Number 0966428X700	