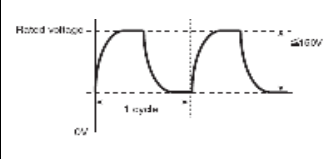


VJ Series

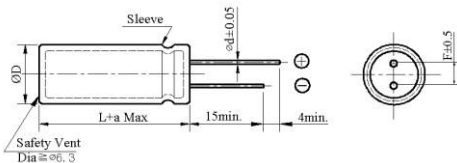
- Capacitor For Over Voltage Application
- Load life 10,000 hours at 105°C



◆ SPECIFICATIONS

Item	Performance Characteristics			
Category Temperature Range	-25 ~ +105°C			
Working Voltage Range	160 ~ 450Vdc			
Capacitance Range	22 ~ 680 μF			
Capacitance Tolerance	±20% (at 25°C and 120Hz)			
Dissipation Factor (tanδ) (at 25°C, 120Hz)	Rated Voltage (V)	160 ~ 250	400 ~ 450	
	tanδ(Max)	0.12	0.15	
Leakage Current	I=0.02CV or 3000 μA whichever is smaller I : Leakage current (μA) C : Rated capacitance (μF) V : Rated voltage (V) Impress the rated voltage for 2 minutes			
Low Temperature Characteristics Impedance Ratio(MAX)	Rated voltage (V)	160~250	400	420 ~ 450
	Z(-25°C)/Z(+20°C)	3	5	6
Charge and Discharge	The following specifications shall be satisfied when the capacitors are restored to 25°C after subjected to charge and discharge test with the voltage waveform shown below at room temperature(15 to 35°C)			
	Frequency	Number of cycles	Voltage waveform	
5Hz		200million times		
		Capacitance change	≅ ±20% of the initial value	
		Dissipation factor(tanδ)	≅ 200% of the specified value	
		Leakage current	≅ specified value	
Endurance	The following specifications shall be satisfied when the capacitors are restored to 25°C after subjected to DC voltage with the rated ripple current is applied for 10,000 hours at 105°C.			
	Capacitance change		≅ ±20% of the initial value	
	Dissipation factor(tanδ)		≅ 200% of the specified value	
Shelf Life	The following requirements shall be satisfied when the capacitor are restored to 25°C after the rated voltage applied for 1,000 hours at 105°C without voltage applied.			
	Capacitance change		≅ ±20% of the initial value	
	Dissipation factor(tanδ)		≅ 200% of the specified value	
Others	Conforms to JIS-C-5101-4 (1998), characteristic W			

◆ DIMENSIONS (mm)



ΦD	10	12.5	16	18
ΦD	ΦD + 0.5 Max			
Φd	0.6	0.6	0.8	0.8
F	5.0	5.0	7.5	7.5
a	L + 1.5 Max	≅ 35 L+1.5Max ≅ 40 L+2.0 Max	L + 1.5 Max	

◆ PART NUMBER SYSTEM(Example : 160V 560μF)

V J 2 C 5 6 1 M N N 1 8 4 5

Special Request

Size code(1845 : 18×45)

Lead length code

Lead forming Type code

Capacitance tolerance code(M:±20%)

Capacitance code (560μF)

Voltage code (160V)

Series code (VJ)

Aluminum Electrolytic Capacitor

Customer	Digi-Key	SERIES	VJ	NO.:	PUBLISH DATE	2022-03-25
-----------------	-----------------	---------------	-----------	-------------	---------------------	-------------------

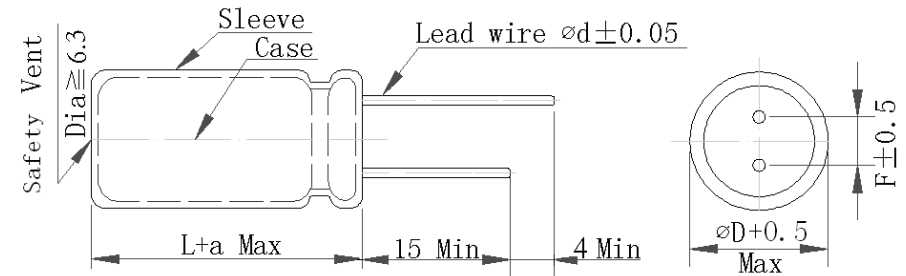
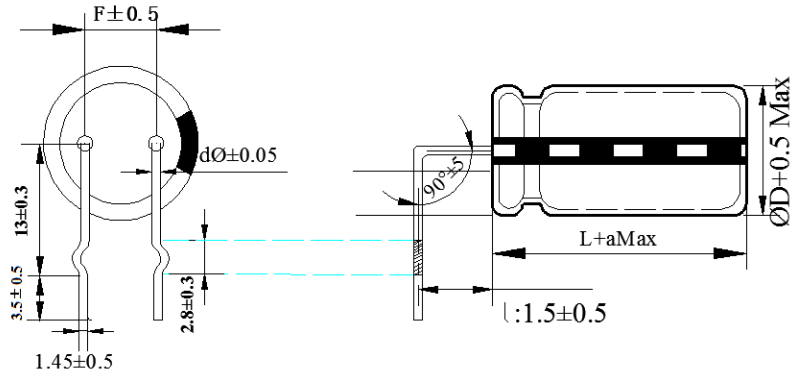


FIG-1

FIG-2

No.	CHINSAN Part No.	Customer Part No.	Capacitance (uF)	Tolerance On rated Capacitance (%)	Working Voltage (Vdc)	Surge Voltage (Vdc)	Category Temp Range (°C)	Tanδ @ 25°C (120Hz) (Max)	Leakage Current (uA) (2 min.)	Rated Ripple Current (mA rms) @ 105°C 120Hz	Rated Ripple Current (mA rms) @ 105°C 100kHz	ESR @ 25°C (mΩ max/ 120Hz)	Impedance @ 20°C (mΩ max/ 100kHz)	Endurance @ 105°C (Hours)	Dimensions (mm)					Appearance Drawing No
															DΦ	L	a	d	F	
1	VJ2W330MRL1625A6	/	33 μF	±20%	450 V	/	-40~+105	/	/	300	/	/	/	10000	16	25	/	/	7.5	FIG-1
2	VJ2W220MNN1220A4E	/	22 μF	±20%	450 V	/	-40~+105	/	/	200	/	/	6200	10000	12.5	20	/	/	5	FIG-2
3	VJ2W680MNN1825R	/	68 μF	±20%	450 V	/	-25~+105	/	/	650	975	/	3200	10000	18	25	/	/	7.5	FIG-2
4	VJ2W470MNN1625A6	/	47 μF	±20%	450 V	/	-40~+105	/	/	500	675	/	1200	10000	16	25	/	/	7.5	FIG-2

※Test leakage current before testing dissipation factor and capacitance during the electric characteristic test.

REMARKS:	APPROVED BY	CHECKED BY	PREPARED BY
Sleeve Color: Black.	张洪斌	曾爱娥	梁慧妍