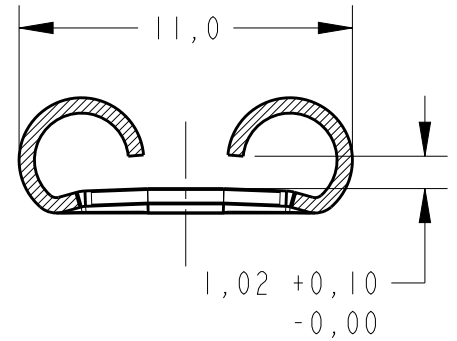
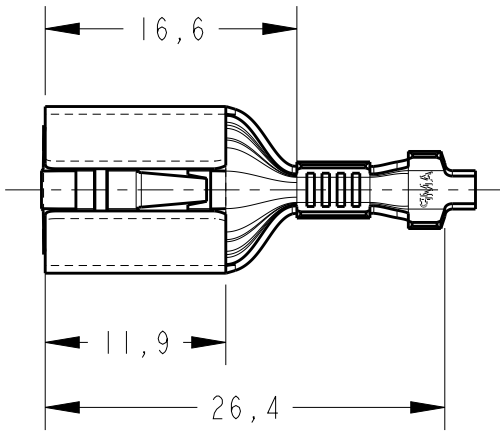


LOC AP DIST -

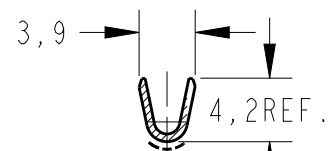
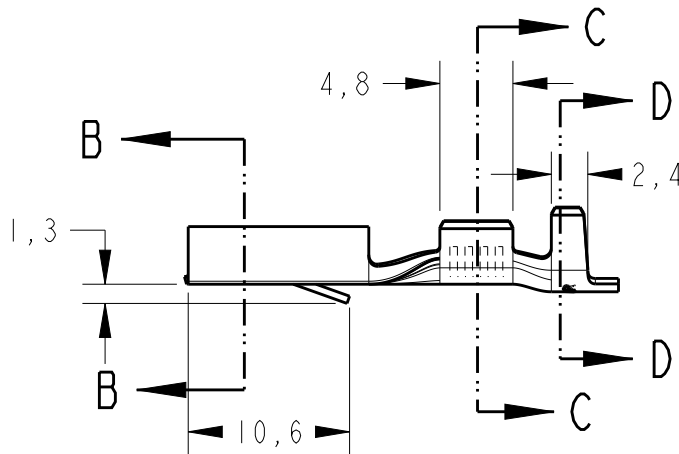
REVISIONS

P	LTR	DESCRIPTION	DATE	DWN	APVD
B		REDRAW BY CAD ECO-14-007082	14MAY2014	NCL	LWP
BI		REVISED BY ECO 16-005803	28JUN2016	HC	WLS

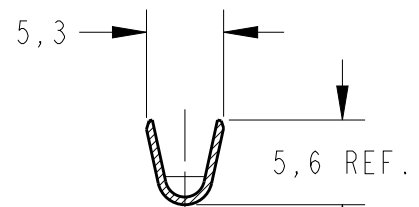
creo
Creo Parametric 2.0
**DO NOT REVISE
EXCEPT BY CAD**



SECTION B-B
SCALE 4:1



SECTION C-C



SECTION D-D

WIRE RANGE
>1,0-2,5 mm ²
INSUL. RANGE
2,1-3,7 Ømm

OBSOLETE	ESTANHADO / TINNED	BRONZE FOSF. PHOSF. BRONZE	444008-4
	/	/	444008-3
OBSOLETE	ESTANHADO / TINNED	LATÃO / BRASS	444008-2
	/	/	444008-1
	FINISH	MATERIAL	PART NUMBER

20 RELEASED FOR PUBLICATION

ALL RIGHTS RESERVED.

BY -

© COPYRIGHT 20

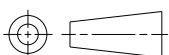
THIS DRAWING IS UNPUBLISHED.

DIMENSIONS:

mm

TOLERANCES UNLESS OTHERWISE SPECIFIED:

0 PLC	±
1 PLC	±0,3
2 PLC	±
3 PLC	±
4 PLC	±
ANGLES	±1°



DWN A. PERUSSI 25MAY2009
CHK M. RODRIGUES 25MAY2009
APVD L. W. PRADO 25MAY2009

PRODUCT SPEC
108-37015

APPLICATION SPEC
-

WEIGHT -

MATERIAL - FINISH -



NAME .375 S. FASTIN-ON RECEPTACLE

SIZE A4	CAGE CODE -	DRAWING NO C-444008	RESTRICTED TO -
---------	-------------	---------------------	-----------------

Customer Drawing SCALE 2:1 SHEET 1 OF 1 REV BI