

4

3

2

1

THIS DRAWING IS UNPUBLISHED.

RELEASED FOR PUBLICATION

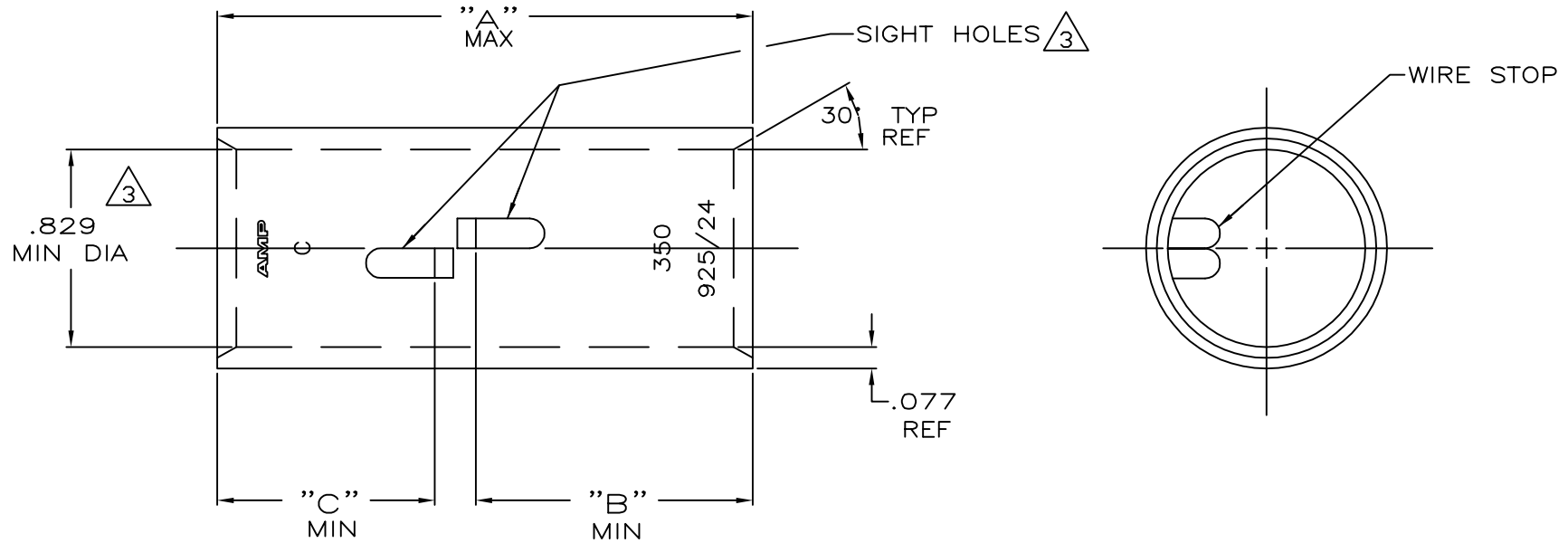
ALL RIGHTS RESERVED.

© COPYRIGHT - By -

LOC G DIST 86

REVISIONS

P	LTR	DESCRIPTION	DATE	DWN	APVD
	N	ECR-13-000998	11FEB2013	PK	HS



① TIN PL .000150 MIN THK
MIL-T-10727

② PART NO: 324464; .146 LB.
PART NO: 1-324464-0; .146 LB.
PART NO: 2-324464-1; .164 LB.
PART NO: 2-324464-2; .164 LB.

③ .045 MAX BURR ALLOWED INSIDE THE WIRE
BARREL ID IN AREA OF SIGHT HOLE.

.91	1.16	2.29	CLEANED ①	325-375 MCM	COPPER ASTM-B-75 ANNEALED	2-324464-2
.91	.91	2.06	CLEANED ①			2-324464-1
"C"	"B"	"A"	FINISH	WIRE RANGE	MATERIAL	324464
						PART No

THIS DRAWING IS A CONTROLLED DOCUMENT.		DWN DK SCHRUM 4/24/89	TE TE Connectivity			
DIMENSIONS: INCHES		CHK MS FEHER 4/24/89				
TOLERANCES UNLESS OTHERWISE SPECIFIED:		APVD WJ VOCKROTH 11/8/89	NAME			
0 PLC ± -		PRODUCT SPEC	SPLICE, BUTT, AMPPOWER WIRE SIZE: 350 MCM			
1 PLC ± -		APPLICATION SPEC	SIZE CAGE CODE DRAWING NO RESTRICTED TO			
2 PLC ± -		WEIGHT	A3 00779 C=324464			
3 PLC ± -		CUSTOMER DRAWING	SCALE 2:1		SHEET 1 OF 1	REV N
4 PLC ANGLES ± -						
MATERIAL SEE TABLE	FINISH SEE TABLE					