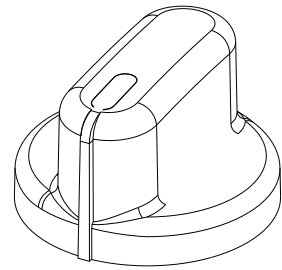
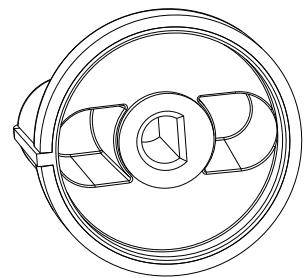
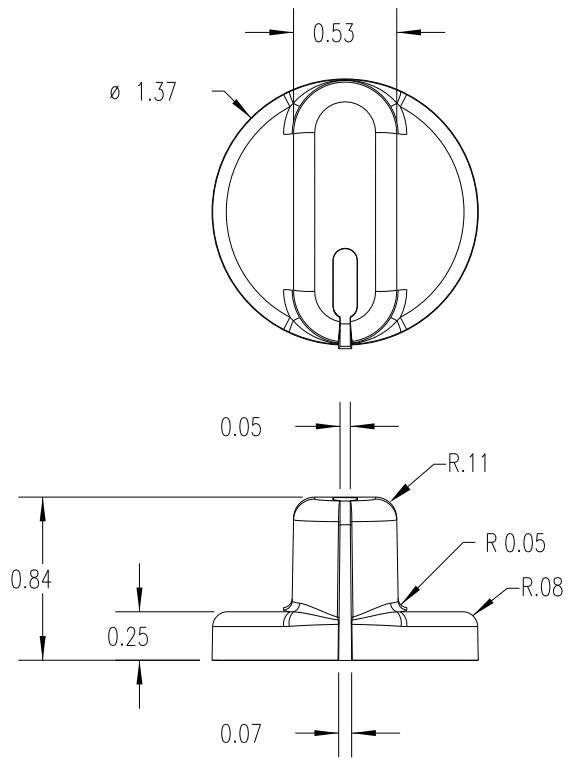


PART NAME: KNOB SCALE: 1:1 DATE: 7/16/09 DR. BY JAM

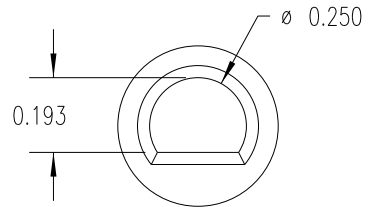
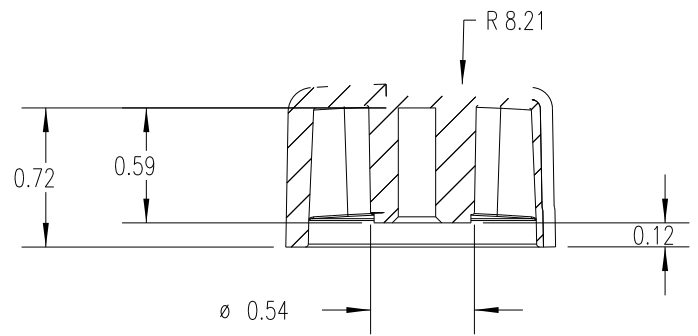
DAVIES MOLDING COMPANY
CAROL STREAM, ILLINOIS 60188

P/N	1505-D
MOLD #	1505/1506/2813
CAVITY	1505
CORE	1505
PIN	1505-D

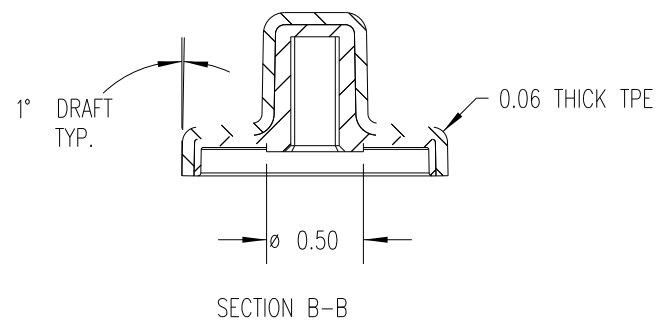
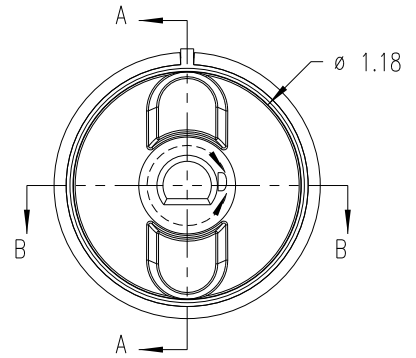
THIS DRAWING IS THE PROPERTY OF DAVIES MOLDING COMPANY, IS SUBMITTED SOLELY AS A DESIGN OR ENGINEERING PROJECT.
WE ACCEPT NO RESPONSIBILITY WHATSOEVER FOR THE PRACTICAL APPLICATION OF THE PIECES MADE TO THIS DESIGN.



(A)



DETAIL D
SCALE 2 : 1



MATERIAL: POLYPROPYLENE (CLD)/TPE (TPE3)
COLOR: WHITE/BLACK

TOLERANCES: UNLESS OTHERWISE SPECIFIED	DO NOT SCALE DRAWING				
DECIMALS: X.XXX \pm .005 X.XX \pm .015	MM: X.XX \pm 0.15MM X.X \pm 0.4MM	A	MOLD # WAS 1505	JAM	12/14/09
FRACTIONS \pm 1/64	ANG. \pm 1°	-	WAS SK1505-10	JAM	7/17/09
CHANGES					