

**SCZ 系列**  
SCZ LEAD TYPE SERIES

**圆柱型系列**

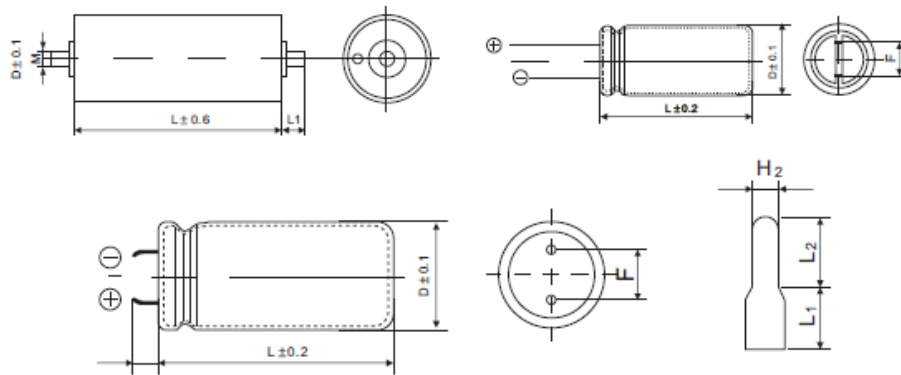


**产品特性** / Product and dimensions

圆柱外形结构、容量大、内阻低，符合ROHS无铅要求；超低漏电流，快速充电/放电。提供瞬间大电流输出。

Cylindrical shape structure, large capacity, low internal resistance, comply with ROHS lead-free requirements; Quick charge/discharge. Provide instantaneous large current output.

**标准产品外型尺寸图** / Shape of standard product



## 标准产品规定值及尺寸 / Standard product and dimensions

Part #	Capacitance	Tolerance	Rated Voltage	Max. ESR (1 kHz/mQ)	Lifetime @ Temp.	Size/Dimension	Height Seated (Max)	Operating Temp.
SCZ2R7105	1 F	-20%, +80%	2.7V	160	1000 Hrs @65°C	8x12mm	12mm	-25°C-70°C
SCZ2R7205	2 F	-20%, +80%	2.7V	120	1000 Hrs @ 65°C	8x16mm	16mm	-25°C-70°C
SCZ2R7335	3.3F	-20%, +80%	2.7V	100	1000 Hrs @ 85°C	8x20mm	20mm	-25°C-70°C
SCZ2R7505	5F	-20%, +80%	2.7V	90	1000 Hrs @ 65°C	8x25mm	25mm	-25°C-70°C
SCZ2R7705	7F	-20%, +80%	2.7V	60	1000 Hrs @ 65°C	10x25mm	25mm	-25°C-70°C
SCZ2R7106A	10F	-20%, +80%	2.7V	45	1000 Hrs @ 65°C	12.5x20mm	20mm	-25°C-70°C
SCZ2R7106B	10F	-20%, +80%	2.7V	65	1000 Hrs @ 65°C	10x25mm	25mm	-25°C-70°C
SCZ2R7206	20F	-20%, +80%	2.7V	40	1000 Hrs @ 65°C	12.5x30mm	30mm	-25°C-70°C
SCZ2R7256	25F	-20%, +80%	2.7V	25	1000 Hrs @ 65°C	16x25mm	25mm	-25°C-70°C
SCZ2R7306	30F	-20%, +80%	2.7V	20	1000 Hrs @ 65°C	16x30mm	30mm	-25°C-70°C
SCZ2R7506	50F	-20%, +80%	2.7V	16	1000 Hrs @ 65°C	18x40mm	40mm	-25°C-70°C
SCZ2R7107	100F	-20%, +80%	2.7V	8	1000 Hrs @ 65°C	22x45mm	45mm	-25°C-70°C
SCZ2R7157	150F	-20%, +80%	2.7V	7	1000 Hrs @ 65°C	25X50mm	50mm	-25°C-70°C
SCZ2R7227	220F	-20%, +80%	2.7V	6	1000 Hrs @ 65°C	30x50mm	50mm	-25°C-70°C
SCZ2R7407	400F	-20%, +80%	2.7V	4.5	1000 Hrs @ 65°C	35X60mm	60mm	-25°C-70°C