

Description: 2.4/5GHz Dual band WiFi**Series:** Blade Antenna**PART NUMBER:** W1043/W1044/W1043R**Features:**

- 2400-2500 / 4900-5985 MHz
- Gain 2.5 / 3.5 dBi
- Length 157.5mm (straight)
- Radiation pattern: Omni
- W1043: Black RP-SMA male
- W1044: Black SMA mael
- W1043R: White RP-SMA male

Applications:

- WiFi 802.11 a/b/g/n
- Bluetooth, ZigBee, ISM bands
- Indoor use
- Accesspoints, routers, gateways
- Spatial diversity and MiMo by using multiple antennas

All dimensions are in mm / inches

Issue: 2110

In the effort to improve our products, we reserve the right to make changes judged to be necessary.

CONFIDENTIAL AND PROPRIETARY INFORMATION

This document contains confidential and proprietary information of Pulse Electronics, Inc. (Pulse) and is protected by copyright, trade secret and other state and federal laws. Its receipt or possession does not convey any rights to reproduce, disclose its contents, or to manufacture, use or sell anything it may describe. Reproduction, disclosure or use without specific written authorization of Pulse is strictly forbidden.

For more information:

Pulse Worldwide Headquarters
15255 Innovation Drive #100
San Diego, CA 92128
USA
Tel: 1-858-674-8100

Pulse/Larsen Antennas
18110 SE 34th St Bldg 2 Suite 250
Vancouver, WA 98683
USA
Tel: 1-360-944-7551

Europe Headquarters
Pulse GmbH & Do, KG
Zeppelinstrasse 15
Herrenberg, Germany
Tel: 49 7032 7806 0

Pulse (Suzhou) Wireless Products Co, Inc.
99 Huo Ju Road(#29 Bldg, 4th Phase
Suzhou New District
Jiangsu Province, Suzhou 215009 PR China
Tel: 86 512 6807 9998



Description: 2.4/5GHz Dual band WiFi

PART NUMBER: W1043/W1044/W1043R

Series: Blade Antenna

ELECTRICAL SPECIFICATIONS

| | |
|--------------------|--------------------------|
| Antenna Type | Blade antenna |
| Frequency | 2400-2500 / 4900-5825MHz |
| Nominal Impedance | 50 Ω |
| VSWR | 2 |
| Radiation Pattern | Omni |
| Gain | 2.5 / 3.5 dBi |
| Efficiency | 65 /60 % |
| Polarization | Vertical |
| Power Withstanding | 3W |

MECHANICAL SPECIFICATIONS

| | |
|--------------------------|-------------------------|
| Overall Length | 157.5 mm |
| Weight | 18 g |
| Antenna Color / Material | Black / White, PC + ABS |
| Connector type | See Page 3 |

ENVIRONMENTAL SPECIFICATIONS

| | |
|-----------------------|--------------|
| Operating Temperature | -40 ~ +85° C |
| Storage Temperature | -40 ~ +85° C |
| Ingress Protection | IP42 |
| RoHS Compliant | Yes |

OTHER SPECIFICATIONS

Issue: 2110

In the effort to improve our products, we reserve the right to make changes judged to be necessary.

CONFIDENTIAL AND PROPRIETARY INFORMATION

This document contains confidential and proprietary information of Pulse Electronics, Inc. (Pulse) and is protected by copyright, trade secret and other state and federal laws. Its receipt or possession does not convey any rights to reproduce, disclose its contents, or to manufacture, use or sell anything it may describe. Reproduction, disclosure or use without specific written authorization of Pulse is strictly forbidden.

Description: 2.4/5GHz Dual band WiFi**PART NUMBER:** W1043/W1044/W1043R**Series:** Blade Antenna

| Product | Color | Connector | Remark |
|---------|-------|-------------|--|
| W1043 | Black | RP-SMA Male | Same antenna but with different connectors and color |
| W1044 | Black | SMA Male | |
| W1043R | White | RP-SMA Male | |

Issue: 2110

In the effort to improve our products, we reserve the right to make changes judged to be necessary.

CONFIDENTIAL AND PROPRIETARY INFORMATION

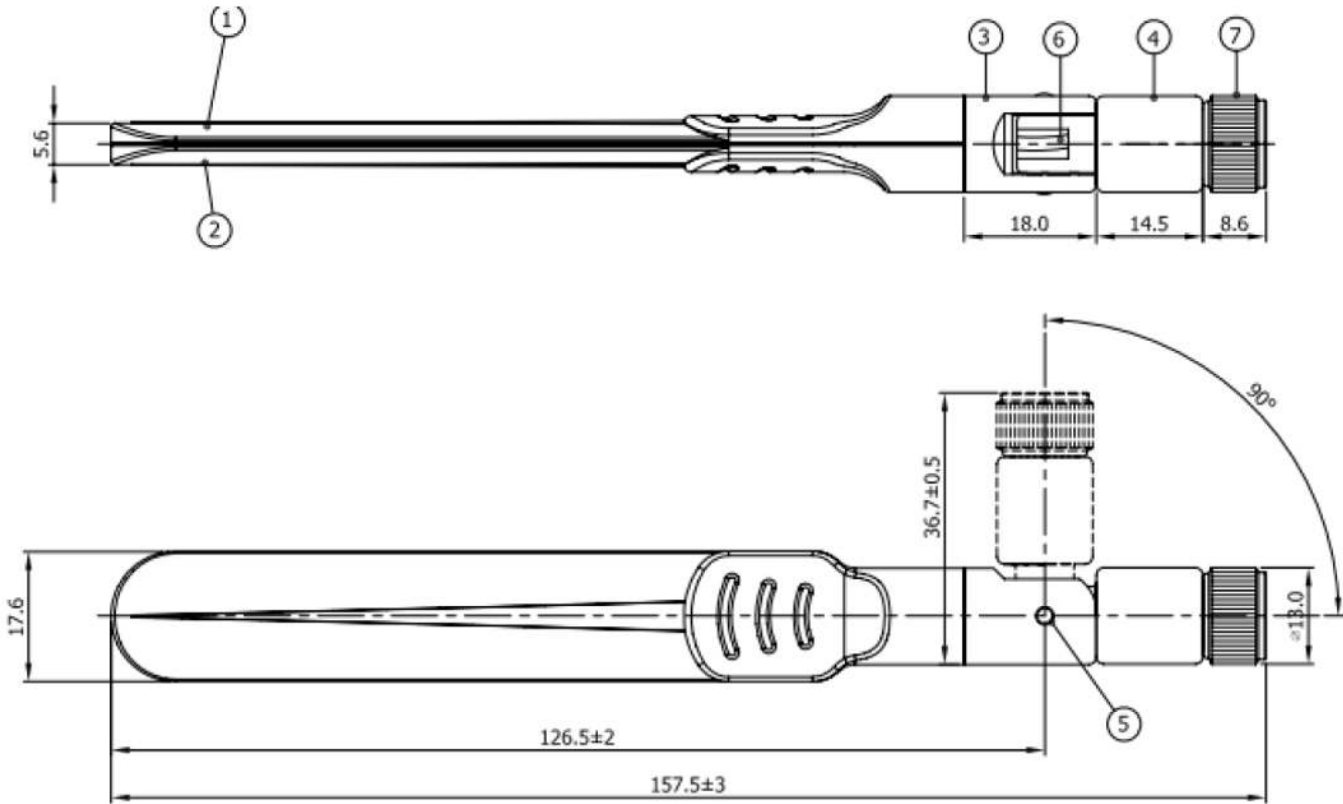
This document contains confidential and proprietary information of Pulse Electronics, Inc. (Pulse) and is protected by copyright, trade secret and other state and federal laws. Its receipt or possession does not convey any rights to reproduce, disclose its contents, or to manufacture, use or sell anything it may describe. Reproduction, disclosure or use without specific written authorization of Pulse is strictly forbidden.

Description: 2.4/5GHz Dual band WiFi

PART NUMBER: W1043/W1044/W1043R

Series: Blade Antenna

MECHANICAL DRAWING



| | | | |
|----|--------------------|--------------|------|
| 7 | Connector | | 1 |
| 6 | Cable | RG-178 Cable | 1 |
| 5 | Rivet | POM | 2 |
| 4 | Antenna Base | PBT | 1 |
| 3 | Antenna Base | PC + ABS | 1 |
| 2 | Antenna Housing(S) | PC + ABS | 1 |
| 1 | Antenna Housing(M) | PC + ABS | 1 |
| NO | DESCRIPTION | | Q'TY |

Unit: mm

Issue: 2110

In the effort to improve our products, we reserve the right to make changes judged to be necessary.

CONFIDENTIAL AND PROPRIETARY INFORMATION

This document contains confidential and proprietary information of Pulse Electronics, Inc. (Pulse) and is protected by copyright, trade secret and other state and federal laws. Its receipt or possession does not convey any rights to reproduce, disclose its contents, or to manufacture, use or sell anything it may describe. Reproduction, disclosure or use without specific written authorization of Pulse is strictly forbidden.

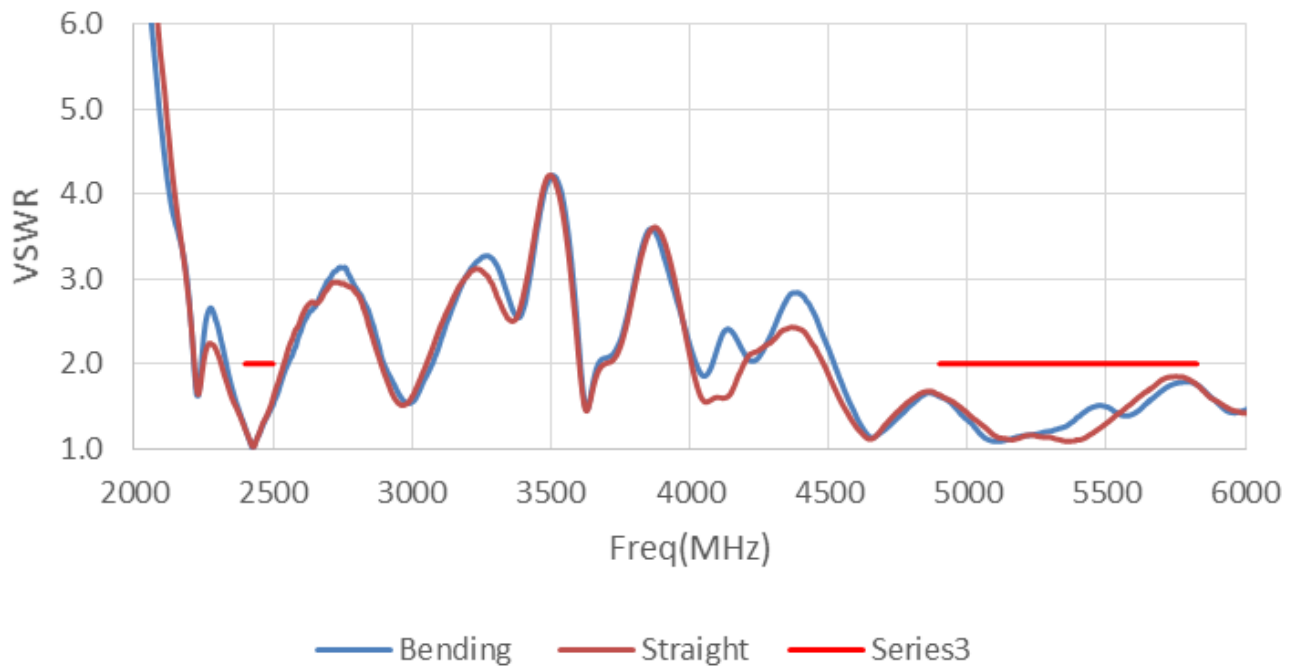
Description: 2.4/5GHz Dual band WiFi

PART NUMBER: W1043/W1044/W1043R

Series: Blade Antenna

TEST SETUP

VSWR



Issue: 2110

In the effort to improve our products, we reserve the right to make changes judged to be necessary.

CONFIDENTIAL AND PROPRIETARY INFORMATION

This document contains confidential and proprietary information of Pulse Electronics, Inc. (Pulse) and is protected by copyright, trade secret and other state and federal laws. Its receipt or possession does not convey any rights to reproduce, disclose its contents, or to manufacture, use or sell anything it may describe. Reproduction, disclosure or use without specific written authorization of Pulse is strictly forbidden.

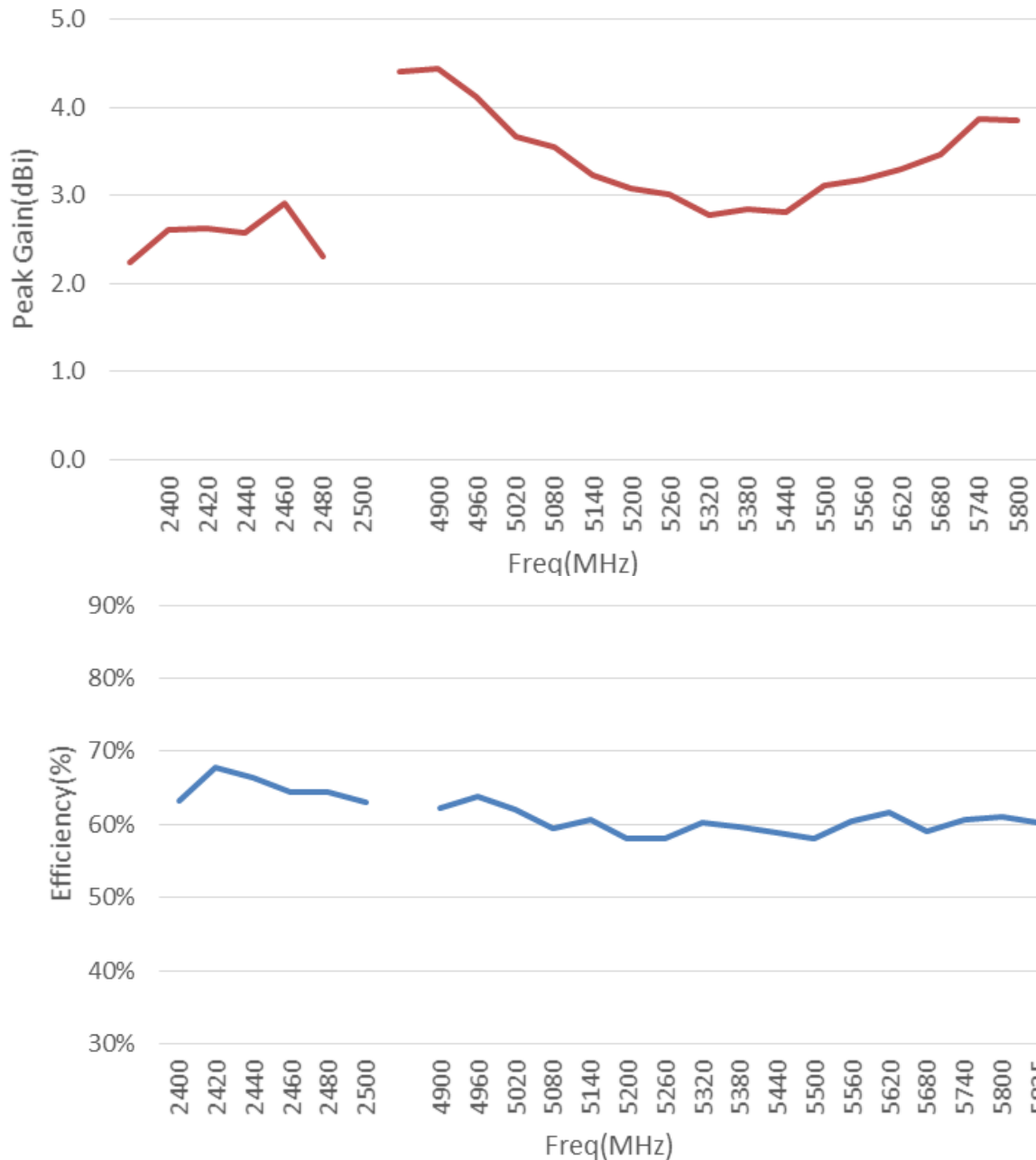
Description: 2.4/5GHz Dual band WiFi

Series: Blade Antenna

PART NUMBER: W1043/W1044/W1043R

CHARTS

Peak gain and Efficiency



Issue: 2110

In the effort to improve our products, we reserve the right to make changes judged to be necessary.

CONFIDENTIAL AND PROPRIETARY INFORMATION

This document contains confidential and proprietary information of Pulse Electronics, Inc. (Pulse) and is protected by copyright, trade secret and other state and federal laws. Its receipt or possession does not convey any rights to reproduce, disclose its contents, or to manufacture, use or sell anything it may describe. Reproduction, disclosure or use without specific written authorization of Pulse is strictly forbidden.

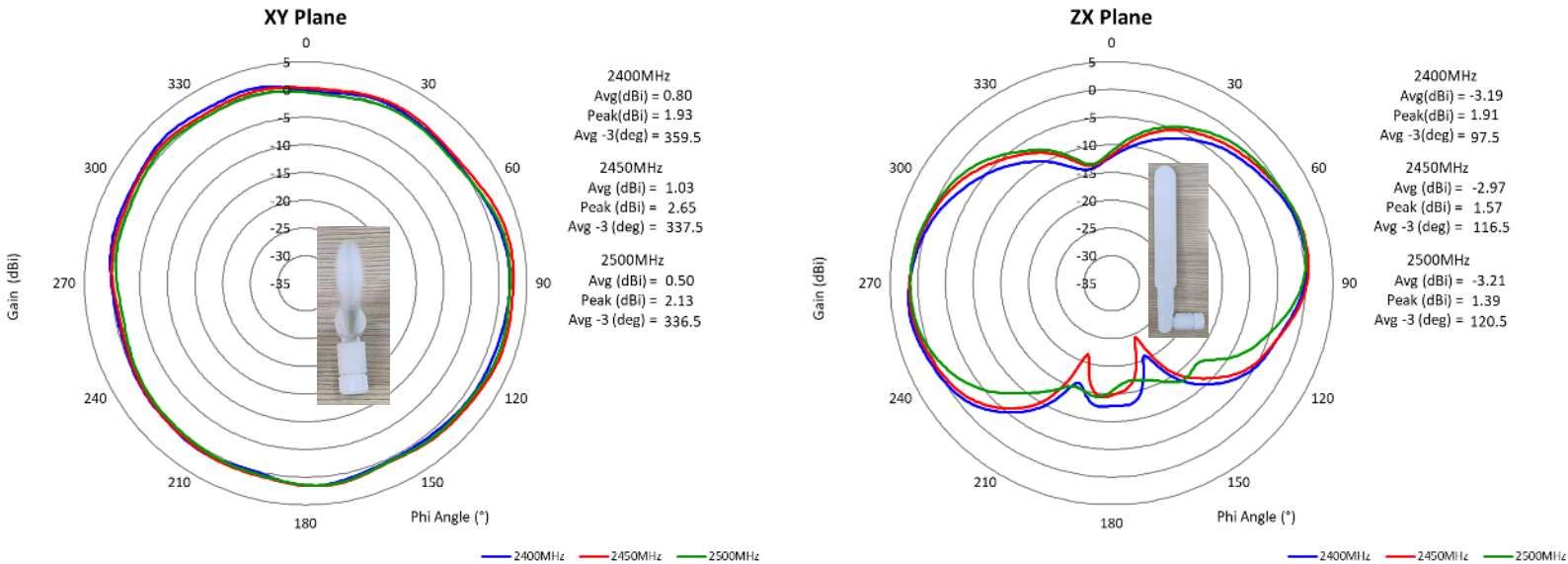
Description: 2.4/5GHz Dual band WiFi

PART NUMBER: W1043/W1044/W1043R

Series: Blade Antenna

CHARTS

Radiation pattern (2G)



Issue: 2110

In the effort to improve our products, we reserve the right to make changes judged to be necessary.

CONFIDENTIAL AND PROPRIETARY INFORMATION

This document contains confidential and proprietary information of Pulse Electronics, Inc. (Pulse) and is protected by copyright, trade secret and other state and federal laws. Its receipt or possession does not convey any rights to reproduce, disclose its contents, or to manufacture, use or sell anything it may describe. Reproduction, disclosure or use without specific written authorization of Pulse is strictly forbidden.

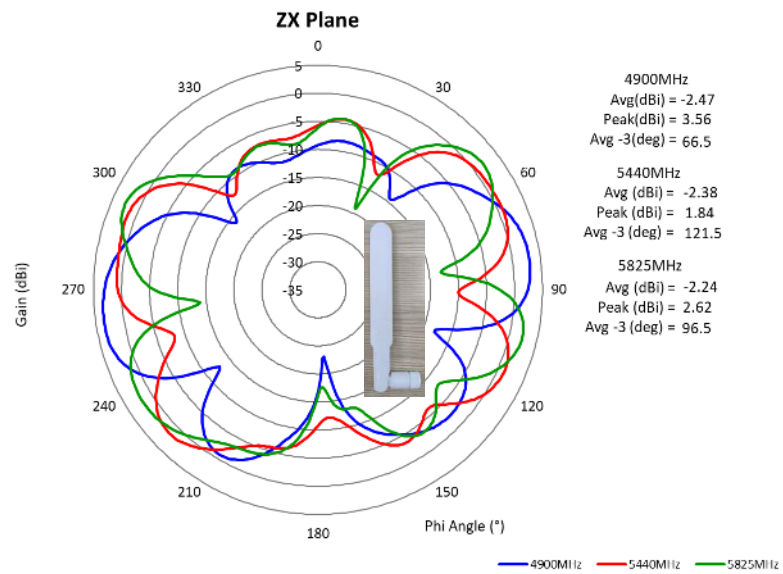
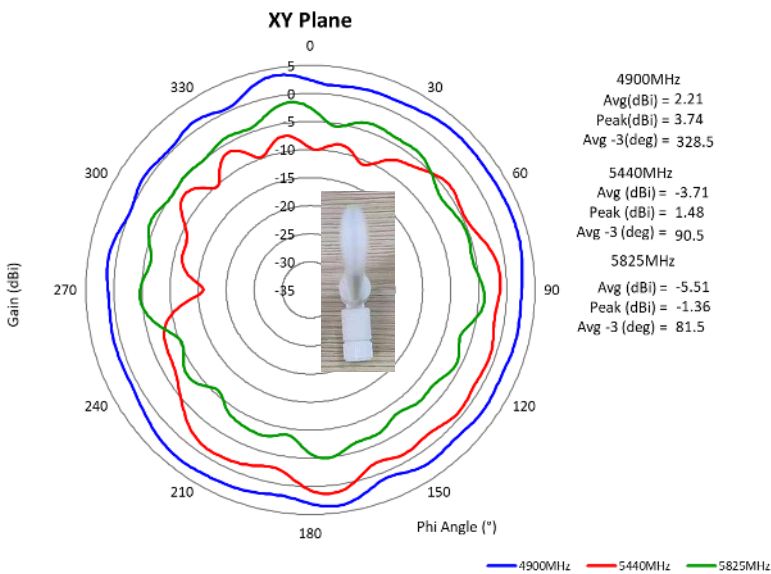
Description: 2.4/5GHz Dual band WiFi

PART NUMBER: W1043/W1044/W1043R

Series: Blade Antenna

CHARTS

Radiation pattern (5G)



Issue: 2110

In the effort to improve our products, we reserve the right to make changes judged to be necessary.

CONFIDENTIAL AND PROPRIETARY INFORMATION

This document contains confidential and proprietary information of Pulse Electronics, Inc. (Pulse) and is protected by copyright, trade secret and other state and federal laws. Its receipt or possession does not convey any rights to reproduce, disclose its contents, or to manufacture, use or sell anything it may describe. Reproduction, disclosure or use without specific written authorization of Pulse is strictly forbidden.

Description: 2.4/5GHz Dual band WiFi**PART NUMBER:** W1043/W1044/W1043R**Series:** Blade Antenna**PACKAGING**

10PCS / Bullet Bag