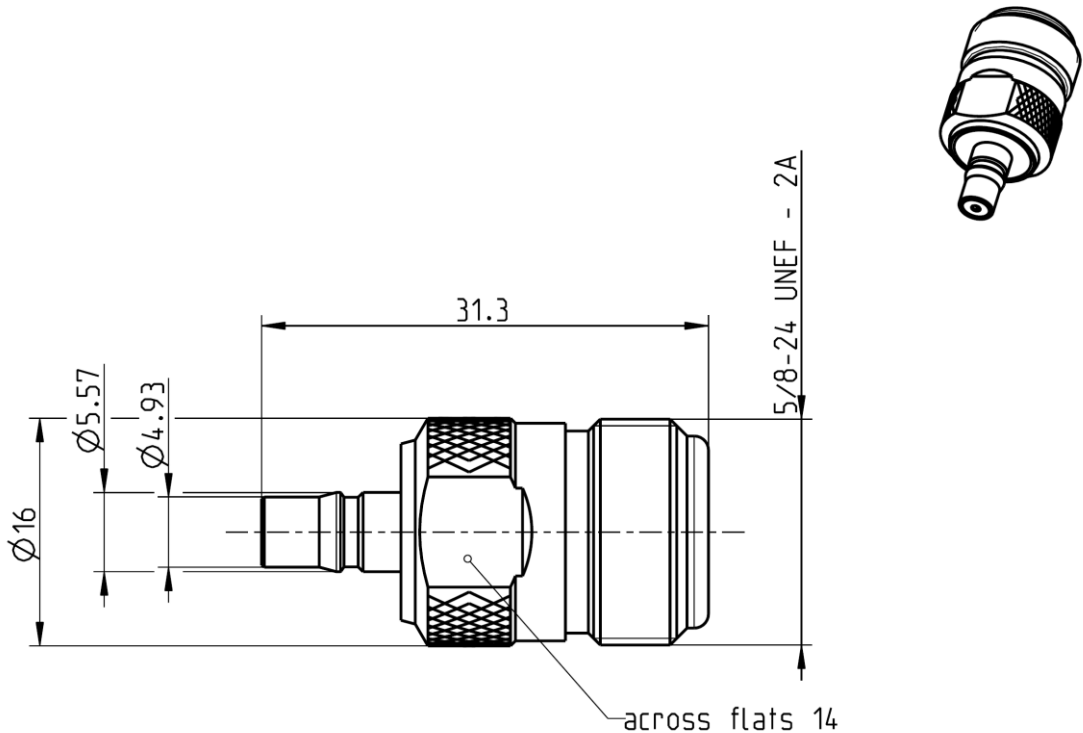


QMA

Adaptor
QMA Jack – N Jack

28K153-K00N5



All dimensions are in mm; tolerances according to ISO 2768 m-H

Interface

According to	N side	IEC 61 169-16, MIL-PRF-39012, CECC 22210
	QMA side	IEC 61 169-50

Documents

N/A

Material and plating

Connector parts

Center contact
Outer contact
Body
Dielectric

Material

CuBe
Brass
Brass
PTFE

Plating

AuroDur®, gold plated
Flash white bronze over silver(e.g. Optargen®)
Flash white bronze over silver(e.g. Optargen®)

Dieses Dokument ist urheberrechtlich geschützt • This document is protected by copyright • Rosenberger Hochfrequenztechnik GmbH & Co. KG

RF_35/09.14/6.2

Electrical data

Impedance	50 Ω
Frequency	DC to 11 GHz
Return loss	≥ 32 dB, DC to 3 GHz ≥ 21 dB, 3 to 8 GHz
Insertion loss	≤ 0.05 dB
Insulation resistance	≥ 5 x10 ³ MΩ
Center contact resistance	≤ 1 mΩ
Outer contact resistance	≤ 0.25 mΩ
Test voltage (at sea level)	1000 V rms
Working voltage (at sea level)	480 V rms
RF-leakage	≥ 95 dB up to 2 GHz
Intermodulation (3 rd order)	≤ -130 dBc @ 2 x 20 W, 1800 MHz

Mechanical data

	N side	QMA side
Mating cycles	min. 500	min. 100
Center contact captivation: axial	≥ 28 N	≥ 28 N
Coupling test torque	max. 1.7 Nm	N/A
Recommended torque	0.7 Nm to 1.1 Nm	N/A
Engagement force	N/A	typ. 25N
Disengagement force	N/A	typ. 20N
Retention force for interface	N/A	60N min.

Environmental data

Temperature range	-40°C to +85°C
Storage temperature	-40°C to +85°C
Thermal shock	IEC 60169-1 16.4 (-40 / +85°C)
Corrosion	IEC 60169-1 16.7 (48 hrs)
Vibration	IEC 60068-2-64 random
Damp heat, steady state	IEC 60169-1 16.3 (96 hrs)
RoHS	compliant

Tooling

N/A

Suitable cables

N/A

Weight

Weight 27 g/pce

While the information has been carefully compiled to the best of our knowledge, nothing is intended as representation or warranty on our part and no statement herein shall be construed as recommendation to infringe existing patents. In the effort to improve our products, we reserve the right to make changes judged to be necessary.

For the installation of the electrotechnical equipment, particular electrotechnical expertise is required.



Draft	Date	Approved	Date	Rev.	Engineering change number	Name	Date
Schmid Markus	20.03.06	Chr. Janßen	02.11.20	e00	20-1927	S. Huber-Siegl	02.11.20