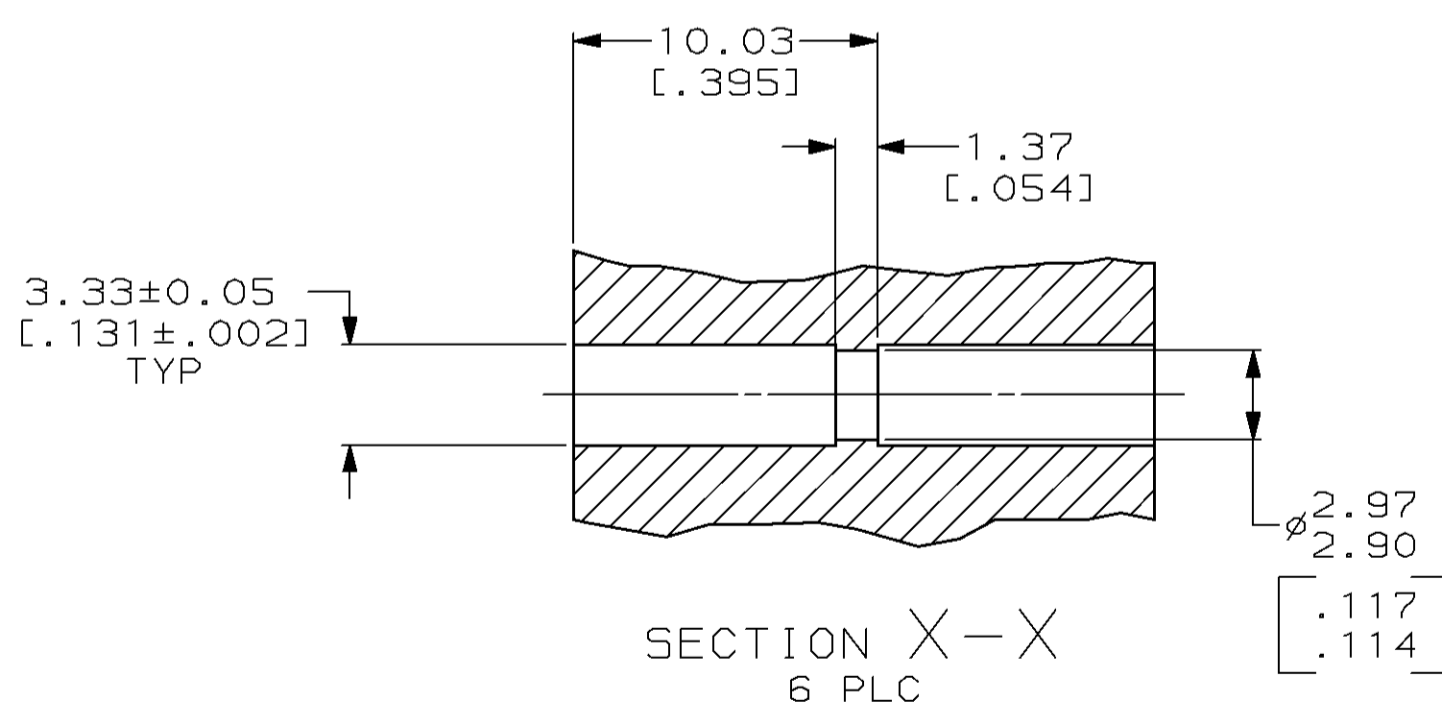
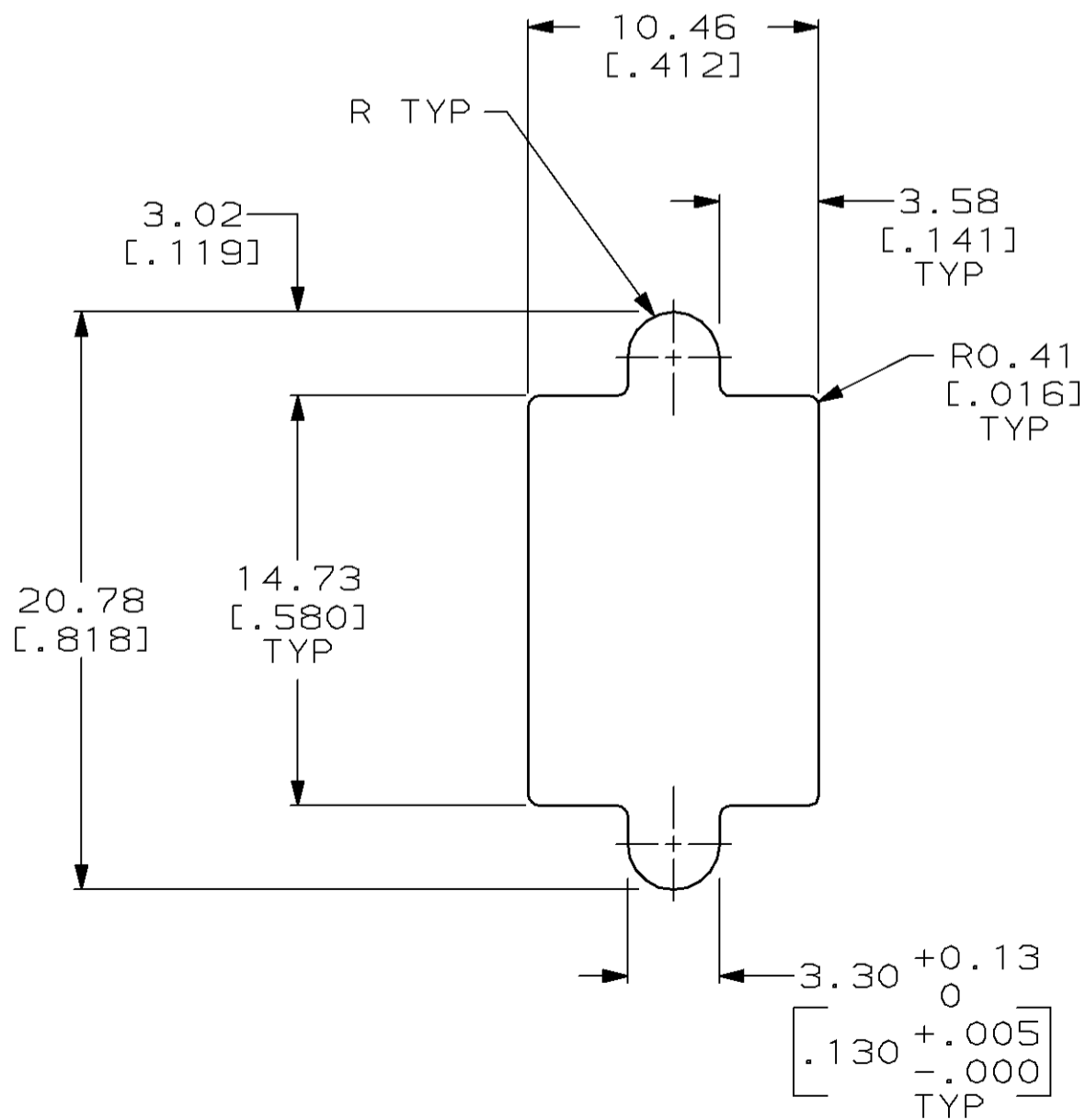
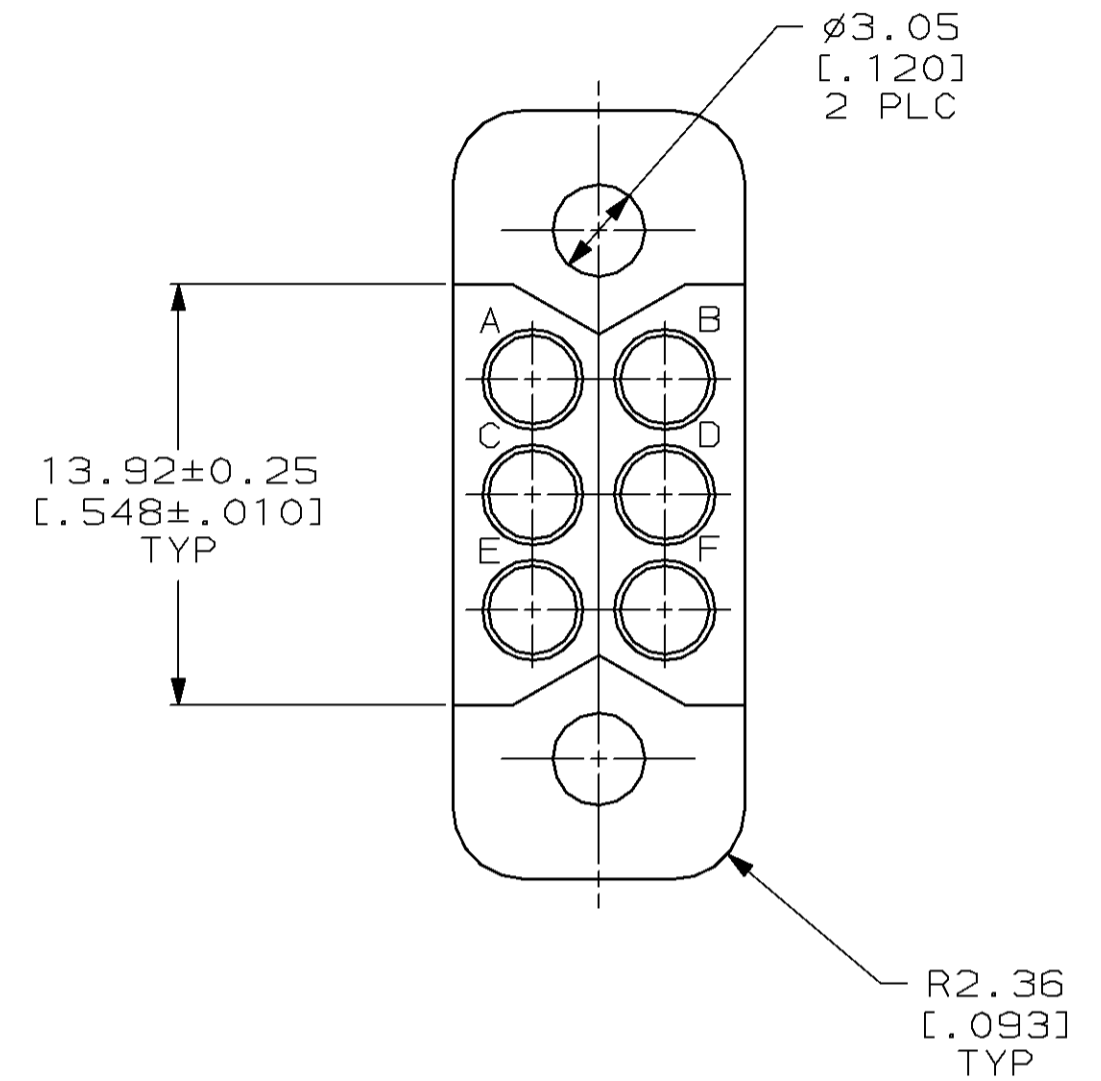
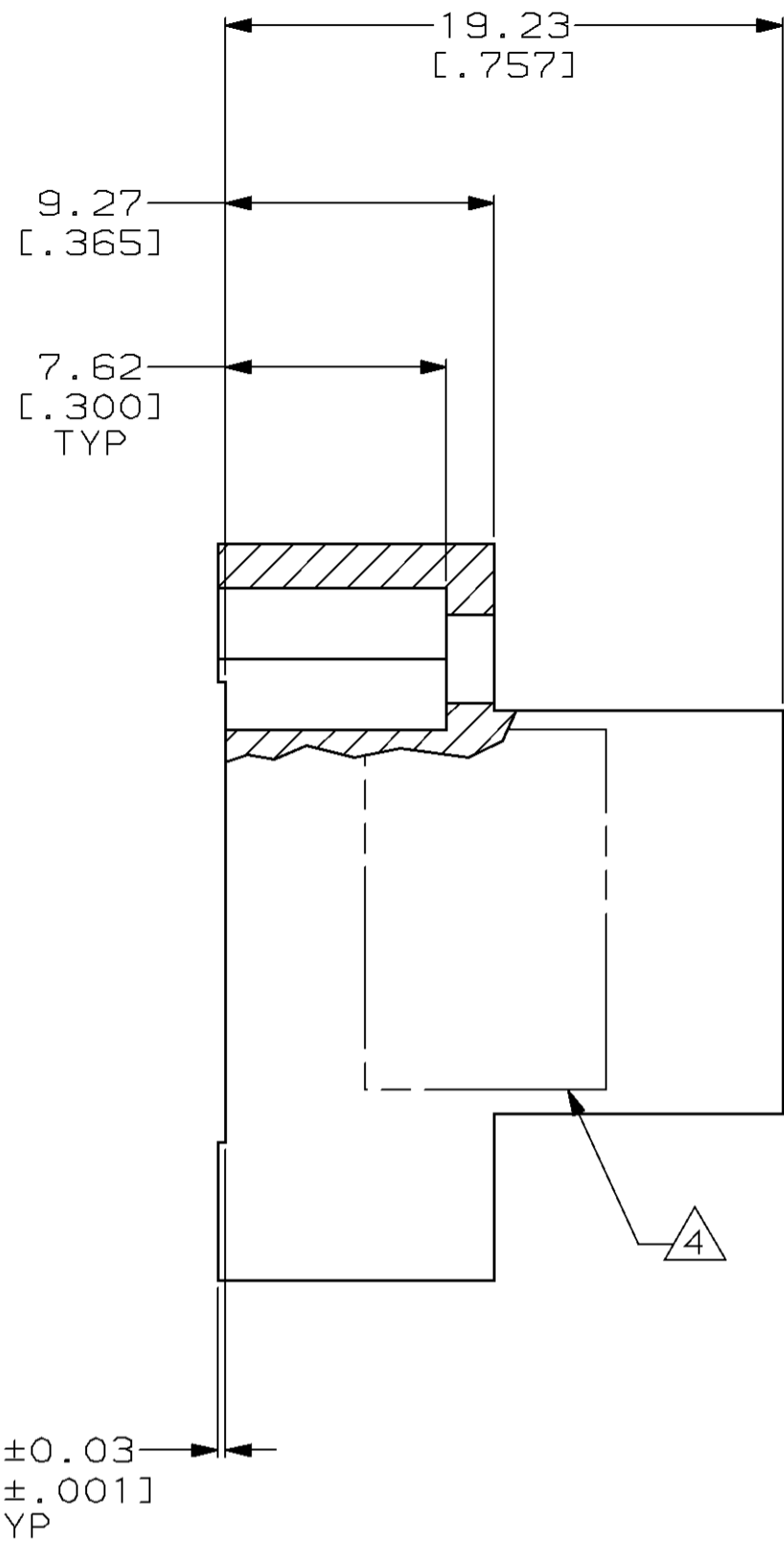
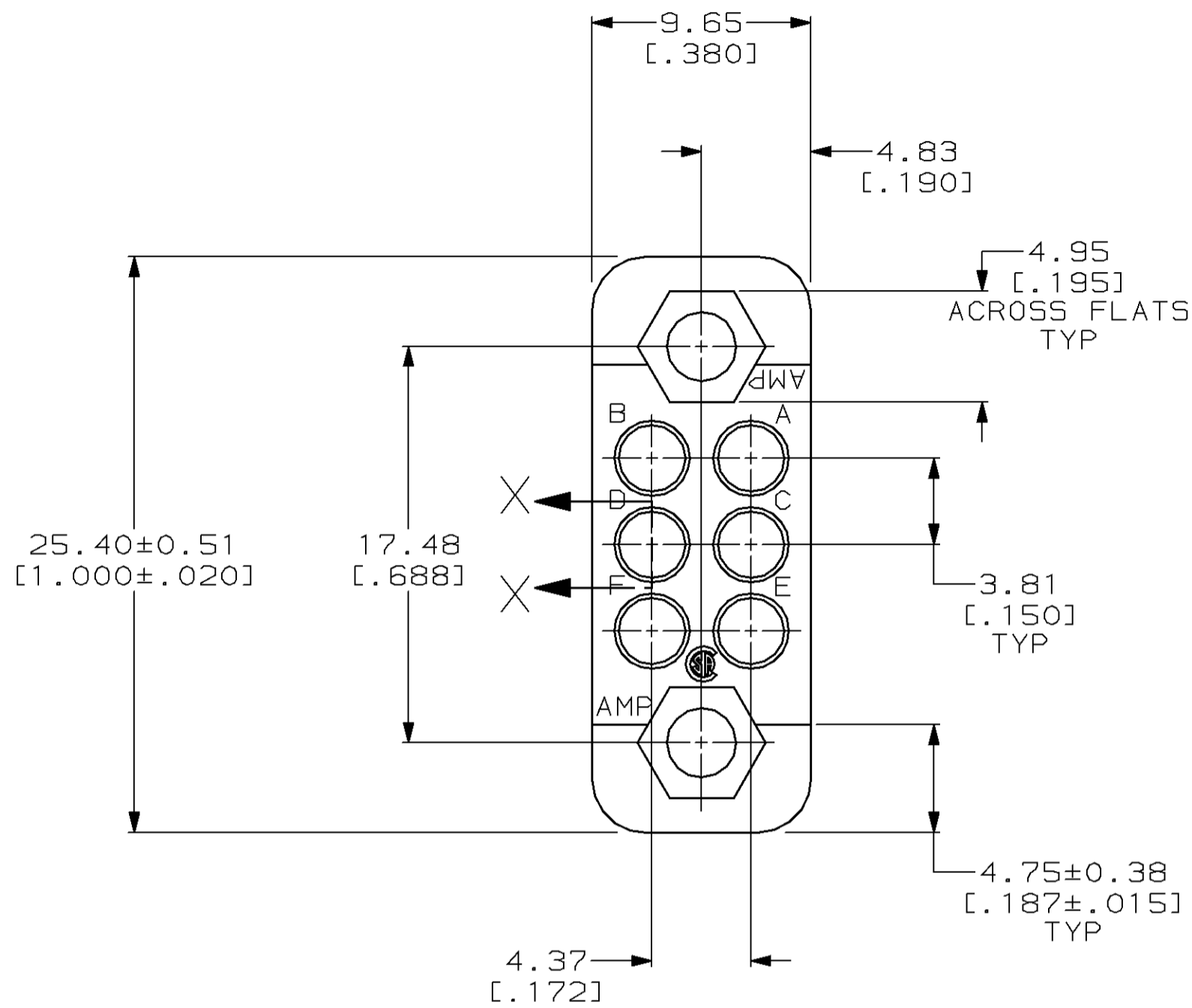


THIS DRAWING IS UNPUBLISHED. RELEASED FOR PUBLICATION  
 © COPYRIGHT 19 BY AMP INCORPORATED. ALL RIGHTS RESERVED.

LOC		DIST		REVISIONS			
P	LTR	DESCRIPTION	DATE	DWN	APVD		
B		REDRAWN W/O CHANGE PER EC 0020-1299-95	28 FEB 96	-	-		



- ① PHENOLIC PER MIL-M-14, TYPE CFG, BLACK.
- ② DIALLYL PHTHALATE PER MIL-M-14, TYPE SDG-F, BLUE.
- 3. MATES WITH 202757 & ACCOMODATES TYPE II #20 PIN CONTACTS.
- ④ PART NO, DATE CODE & THE LETTER P INK STAMPED IN THIS AREA.

②	202756-3
①	202756-1
MATERIAL	PART NUMBER

THIS DRAWING IS A CONTROLLED DOCUMENT FOR AMP INCORPORATED. IT IS SUBJECT TO CHANGE AND THE CONTROLLING ENGINEERING ORGANIZATION SHOULD BE CONTACTED FOR THE LATEST REVISION.		DWN C. REIFSNYDER 28 FEB 96	AMP Incorporated Harrisburg, PA 17105-3608	
DIMENSIONS: mm [INCHES]		CHK R. STONE 14 MAR 96	NAME BLOCK, MALE, 6 PLACE MINIATURE RECTANGULAR, M SERIES	
TOLERANCES UNLESS OTHERWISE SPECIFIED:		APVD G.A. STEINHAUER 25 JUN 96	DRAWING NO C-202756	
0 PLC ±-		PRODUCT SPEC	SIZE A2	CAGE CODE 00779
1 PLC ±-		APPLICATION SPEC	SCALE 4:1	SHEET 1 OF 1
2 PLC ±0.13 [.005]		WEIGHT	REV B	
3 PLC ±-		CUSTOMER DRAWING		
4 PLC ±-				
ANGLES ±-				
FINISH -				

RECOMMENDED PANEL CUTOUT

202756

B

A