

DK__ DRIP SHIELD KIT

BUL86010
REV. F

The Hammond dripshield protects the door hardware from continuously falling water or dust.

ASSEMBLY INSTRUCTIONS

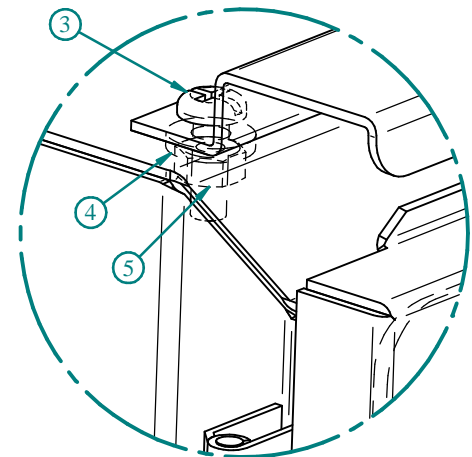
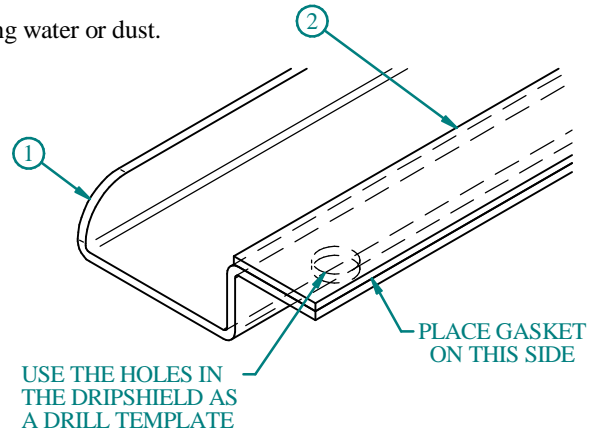
A) Line the offset edge of the dripshield up with the front edge of the enclosure and centered on the enclosure. See DETAIL Z.

B) Using the dripshield (PART 1) as a template, mark the hole positions and drill the 17/64 (or 9/32)"/6.7MM (or 7.1MM) diameter holes.

C) Stick the gasket (PART 2) to the dripshield and pierce the holes with a sharp pointed object.

D) Fasten the dripshield in place using the provided screws, sealing washers, and hex nuts. (PARTS 3, 4, & 5). The screw heads must be outside the enclosure and the neoprene side of the sealing washer against the inside of the enclosure top.

E) Torque each screw and nut to 30 lbf-in. See figure 1.1 for detail.

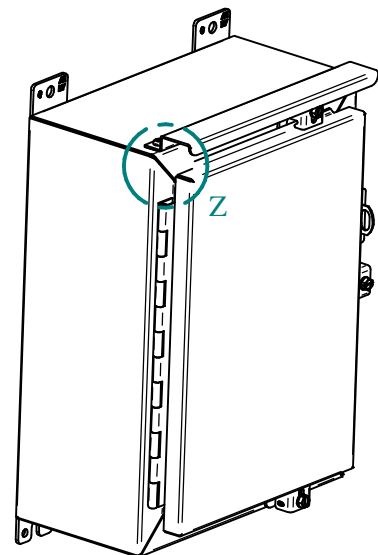
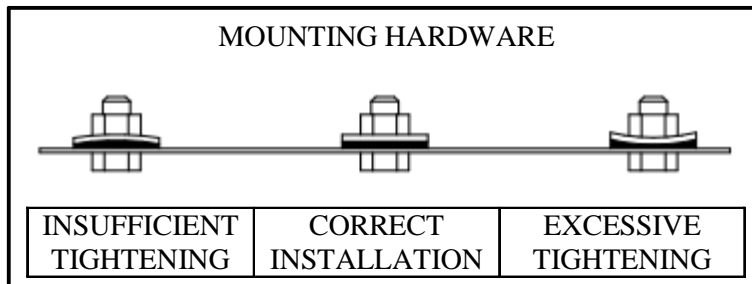


DETAIL Z

STANDARD SIZES:

ENCLOSURE WIDTH	KIT NUMBER	KIT NUMBER	KIT NUMBER
12 INCHES	DK12S16	DK12GY	DK12LG
16 INCHES	DK16S16	DK16GY	DK16LG
20 INCHES	DK20S16	DK20GY	DK20LG
24 INCHES	DK24S16	DK24GY	DK24LG
30 INCHES	DK30S16	DK30GY	DK30LG
36 INCHES	DK36S16	DK36GY	DK36LG
42 INCHES	DK42S16	DK42GY	DK42LG
48 INCHES	DK48S16	DK48GY	DK48LG
60 INCHES	DK60S16	DK60GY	DK60LG
72 INCHES	DK72S16	DK72GY	

Figure 1.1



OTHER SIZES

- Dripshield kits for other lengths can be built to your specifications.
- Standard dripshields may be field cut to satisfy odd length requirements.

