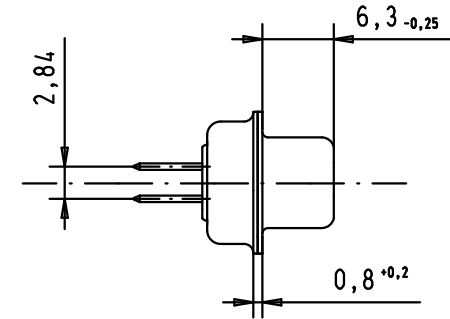
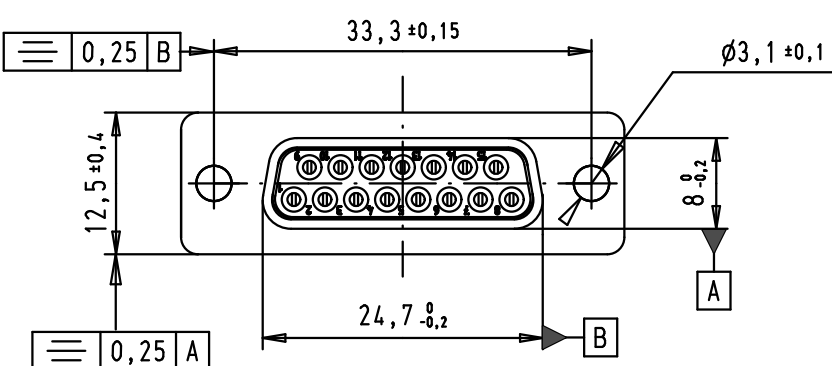


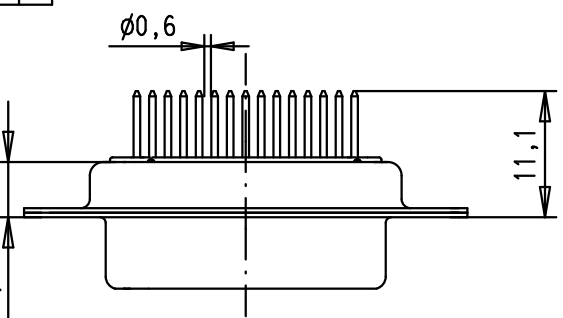
D
C
B
A



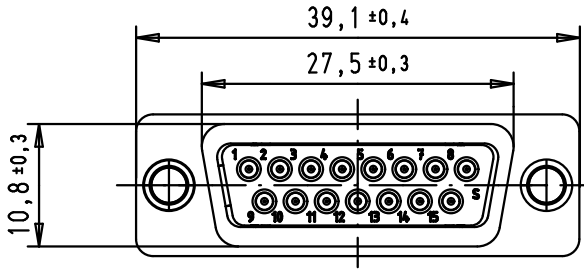
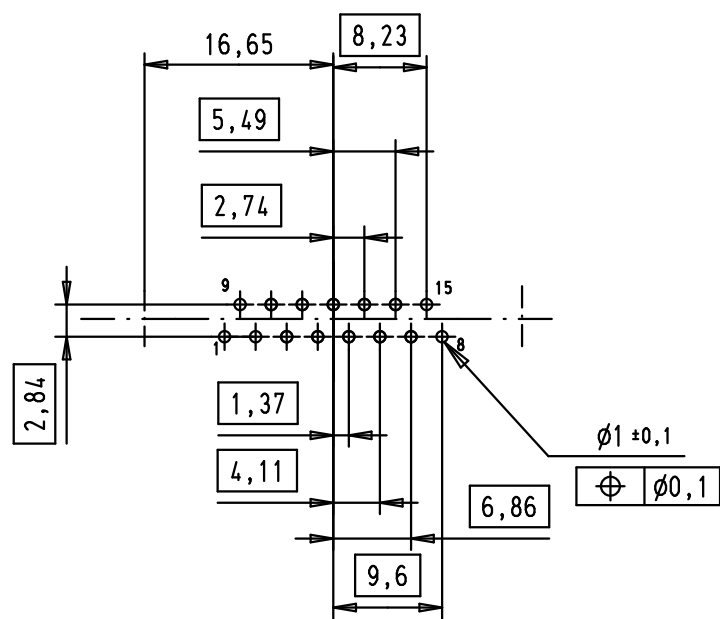
SPECIFICATION

Performance level	PL2
Filter type	C
Capacitance	47pf±20%
Working Voltage	100v
Current Rating	7,5A
Insulation Resistance	>1GΩ

FREQUENCY (MHz)	ATTENUATION dB
5	-
10	-
50	-
100	-
500	30dB
1000	35dB



PCB Layout Component side



				Dat.	Name	 All Dim. in mm Orig. Size DIN A 4	D-Sub, female, straight, 15 Poles, turned solder pins, fixing holes	Ma?Mstab/ Scale 1.5:1
			Detail.	8-JUL-02	CV			
			Insp.	09/12/11	JB			
36283	09/12/11	SD	Stand.				TB 09642127210	Blatt/ Page 1 / 1
33250	03/11/05	JMDR						
31058	8-JUL-02	CV						
Mod.	Dat.	Name						
HARTING EURL F-95972 Paris								