

Mallory Sonalert Products, Inc.

Part #: **SC616WXY**

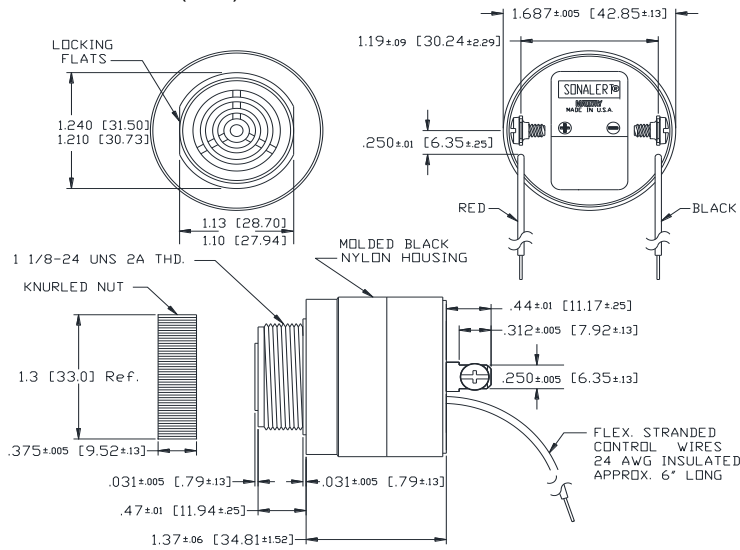
Sales Outline Drawing

Revision: **F**

Specifications:

Sound Level Category	Medium
Mode of Operation	5 Functions: Continuous -, Slow Pulse @0.5 - 2.5 PPS - High or low Frequency, Warble
Voltage Rating	6 to 16 VDC
Frequency	Low -1750 ± 500 Hz, High - 2900 ± 500 Hz
Loudness @ 2 FT	62 to 81 dB(A) Typ.
Loudness @ Min Vdc	60 dB(A) @ 2 Feet and 6 Vdc
Loudness @ Max Vdc	69 dB(A) @ 2 Feet and 16 Vdc
Current Draw	6-27mA
Duty Cycle (%)	50
Housing Material	6/6 Nylon, Color: Black
Storage Temperature	-40° to +85° C
Operating Temperature	-30° to +65° C
Panel Mounting	Recommended hole size is 1.25"(31.75mm). Thread front will fit standard 30mm(1.181") hole.
Knurled Nut	Used to attach part to panel. The max recommended torque is 10 in-lbs.
Weight (Typical)	2.1 oz (60g)
NEMA 3R,4X, & 12	Approved with use of ACC03.
Options	Please contact factory.

Dimensions: Inches (mm)



The red and black leads control the several functions. A logic 'Low' is a voltage less than 1/3 of supply voltage. A logic 'High' is a voltage greater than 1/2 supply voltage. A red or black input lead left unconnected is considered an open state.

Truth Table

Control Wire		Function Mode
Red	Black	
High	Low	Off
Open	High	High Continuous
Open	Low	Low Continuous
High	Open	High Pulse
Low	Open	Low Pulse
Open	Open	Warble

NOTE A: TERMINALS-032 BRASS TIN PLATED, TAPPED FOR #6-32 SCREW. TWO #6-32 NICKEL PLATED BRASS SCREWS INCLUDED. WILL ACCEPT 1/4" QUICK CONNECT.

NOTE B: MOUNTING- REMOVE BLACK PLASTIC NUT AND INSERT THREADED FRONT THROUGH 1.25" HOLE PUNCHED IN PANEL. IF ORIENTATION IS NEEDED, NOTE LOCKING FLATS ON DRAWING. SCREW NUT BACK ON. DO NOT OVERTIGHTEN.