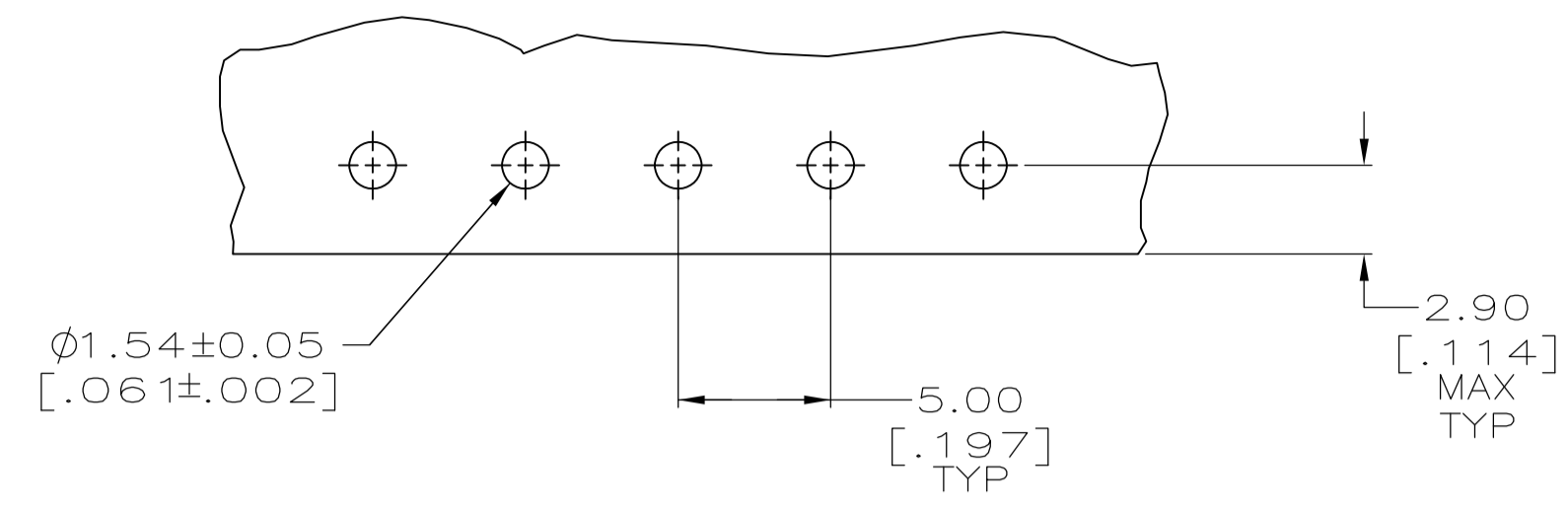
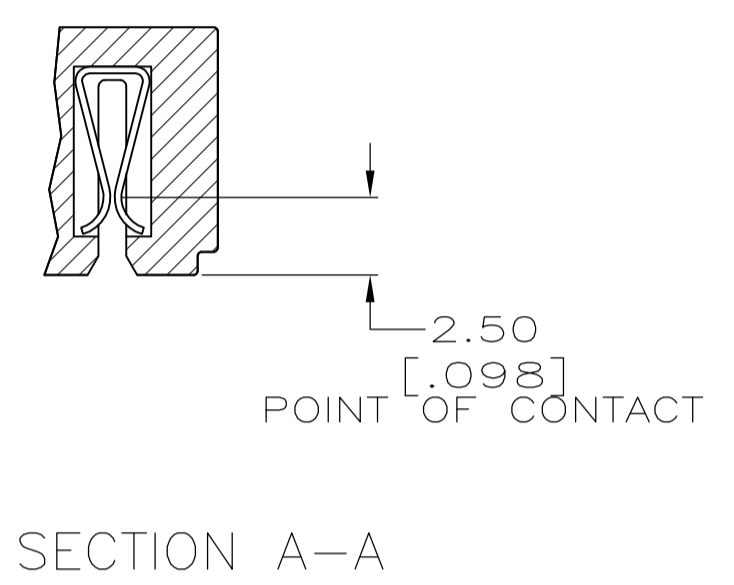
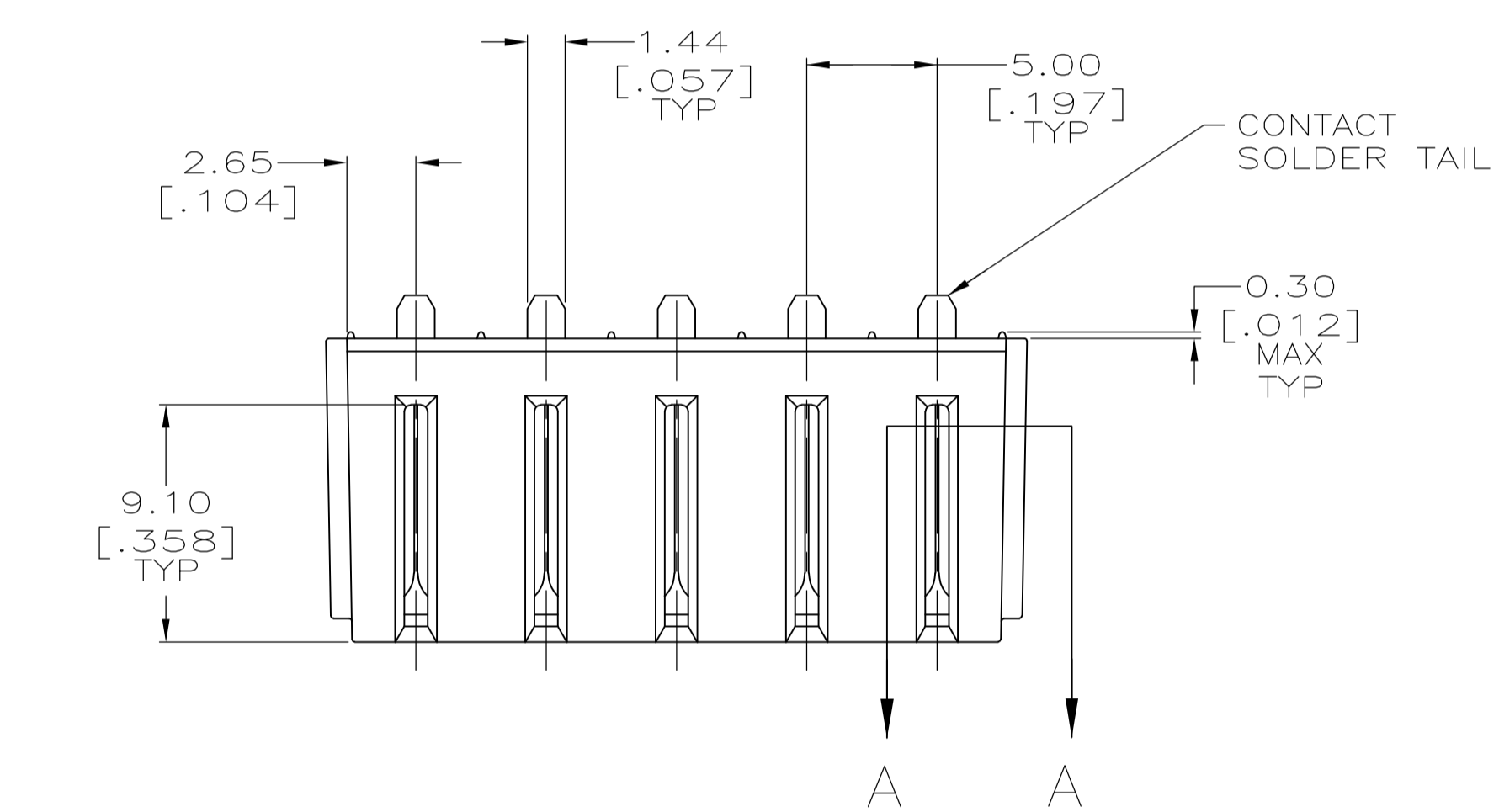
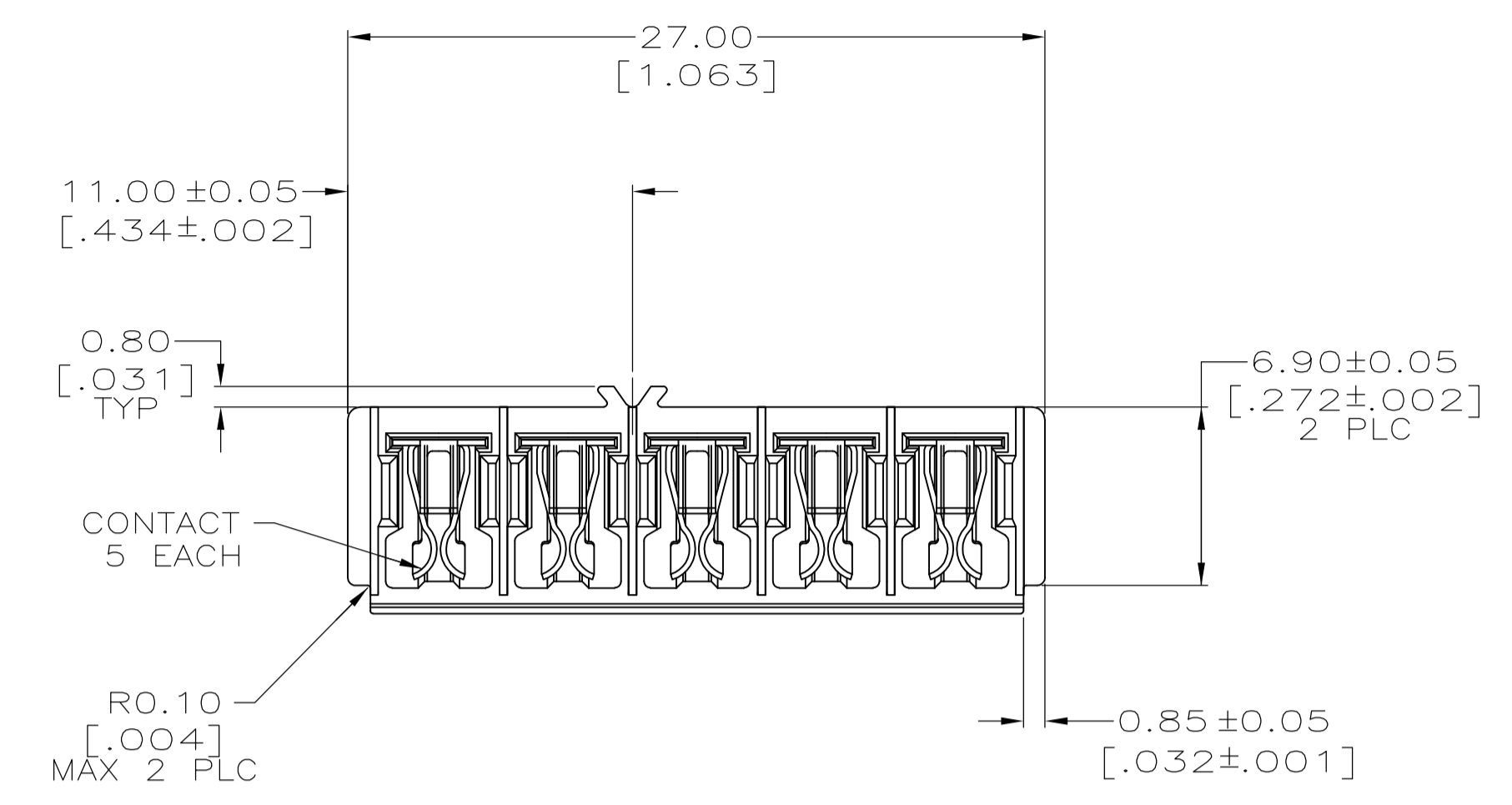
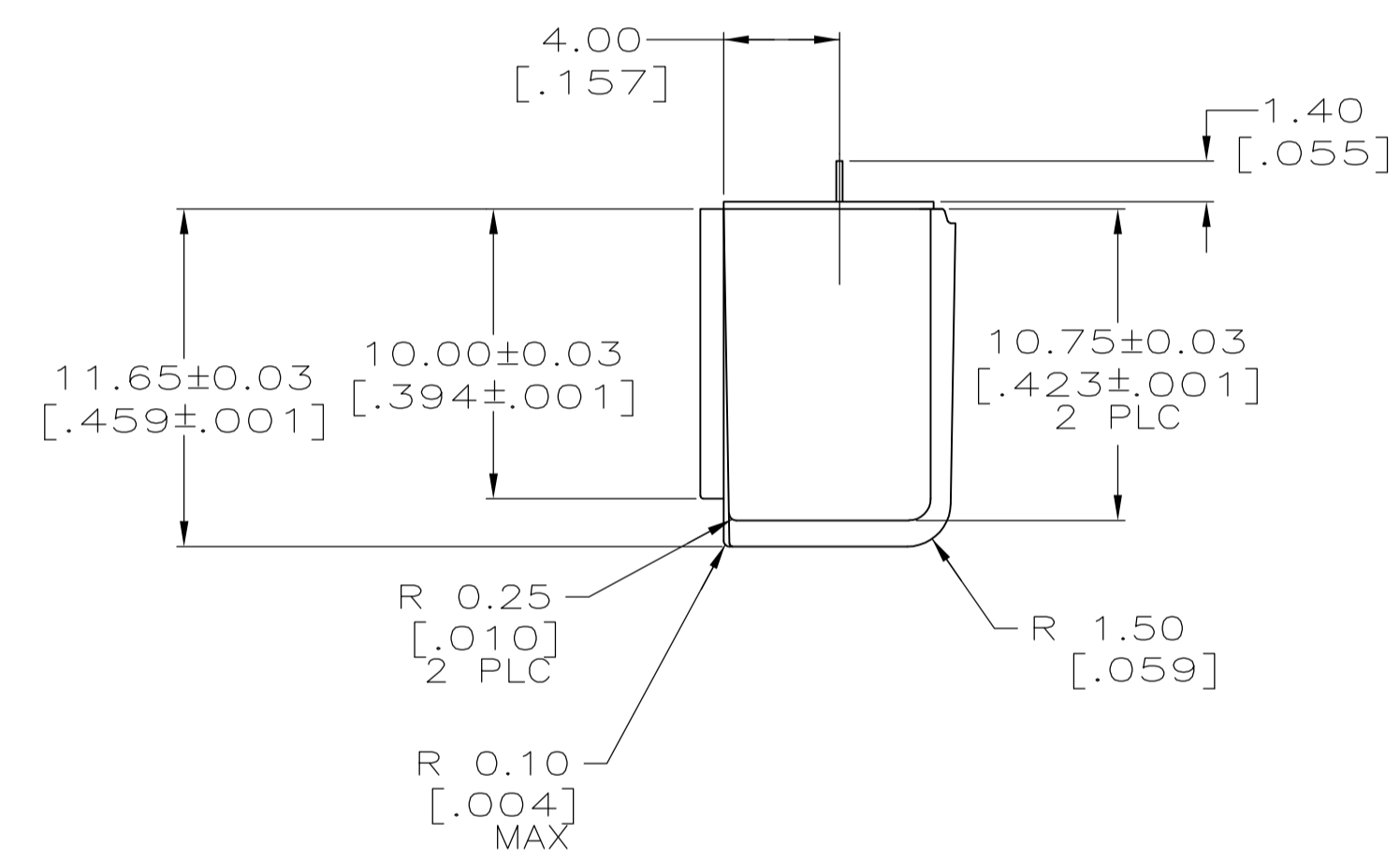


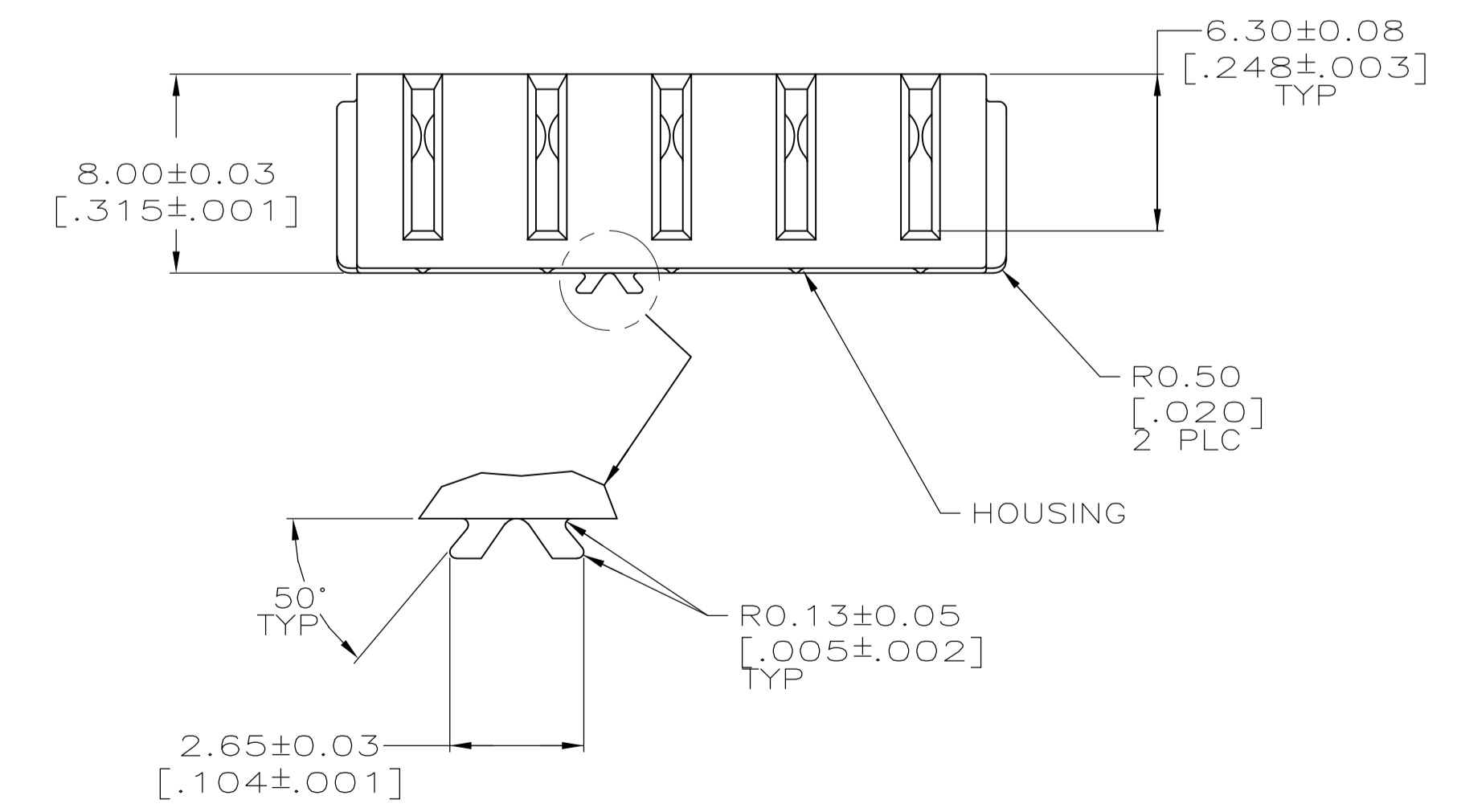
SUGGESTED CAVITY



RECOMMENDED PC BOARD LAYOUT



SECTION A-A



- ⚠ HOUSING: POLYPHTHALAMIDE, BLACK. CONTACTS: PHOSPHOR BRONZE.
- ⚠ CONTACT: 1.30um[.000051] MIN TIN ON SOLDER TAIL OVER 1.90um[.000075] MIN NICKEL ON ENTIRE CONTACT.

5146800-1
PART NUMBER

THIS DRAWING IS A CONTROLLED DOCUMENT.		DIN C. REIFSNYDER 21 OCT 96	Tyco Electronics Corporation Shanghai PRC
DIMENSIONS: mm		CHK C. BAKER 04 NOV 96	
TOLERANCES UNLESS OTHERWISE SPECIFIED:		APVD C. BAKER 05 NOV 96	NAME
0 PLC ± -	1 PLC ± -	PRODUCT SPEC	INSERT ASSEMBLY, 5 POSITION, KEYLESS, DOVETAIL LOCATOR, 5mm Ø.
2 PLC ± ± 0.10[.004]	3 PLC ± ± -	APPLICATION SPEC	108-1501
4 PLC ± ± -	ANGLES ± ± 2°	SIZE	A1
MATERIAL	FINISH	WEIGHT	00779 C=5146800
		CUSTOMER DRAWING	SCALE 4:1 SHEET 1 of 1 REV P