

THIS DRAWING IS UNPUBLISHED.

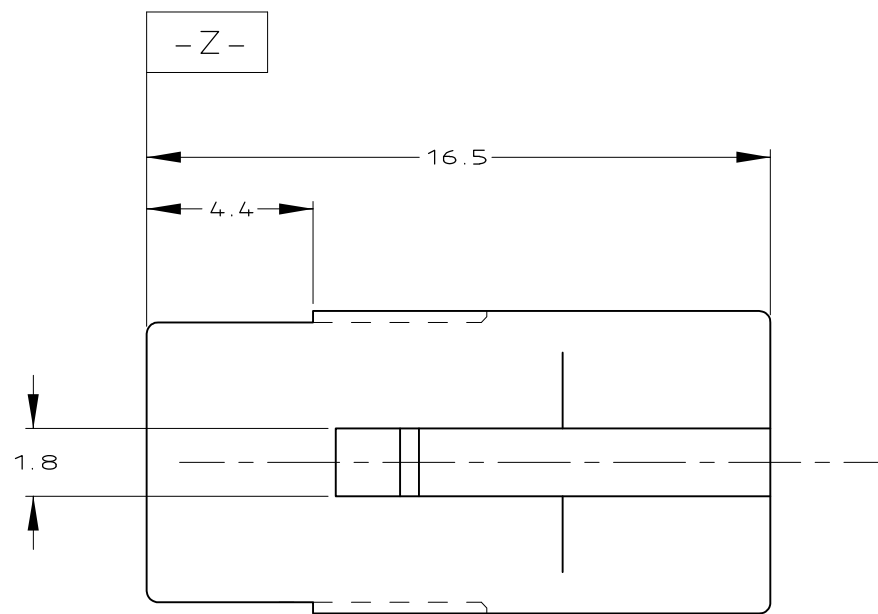
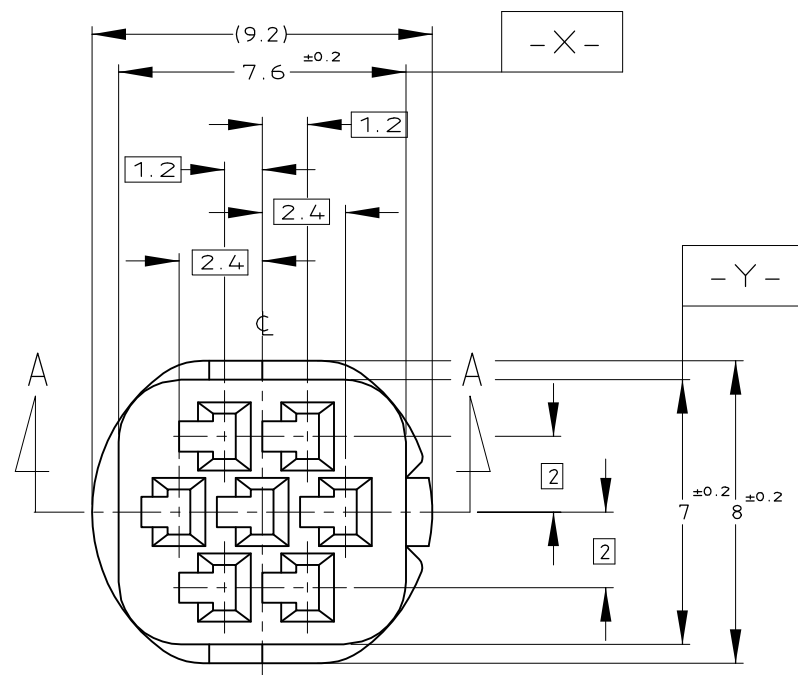
RELEASED FOR PUBLICATION FEB,2019 -

REVISIONS

© COPYRIGHT 2019 By Tyco Electronics Japan G.K.

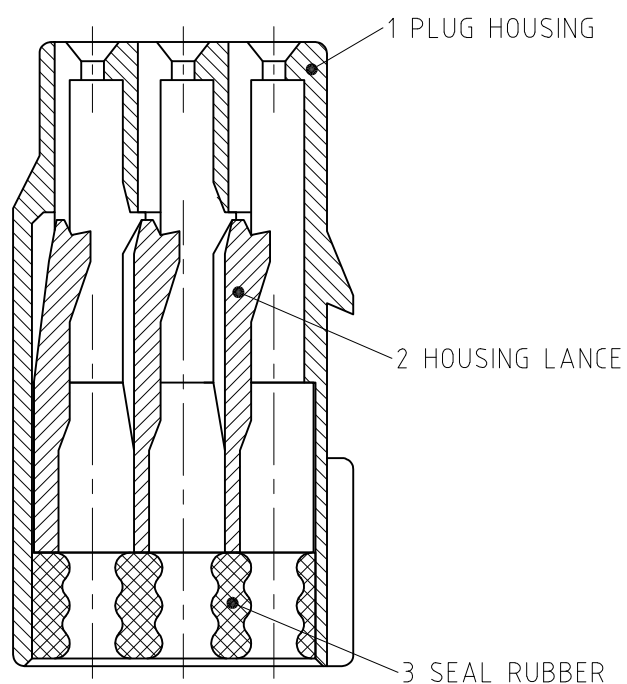
ALL RIGHTS RESERVED.

P	LTR	DESCRIPTION	DATE	DWN	APVD
	A3	REVISED ECR-19-006693	15AUG2019	DM	HK



1. 嵌合相手ハウジング型番 ; 2822344
2. 内装するリセコンタクト型番 ; 917308
3. 適用製品規格番号 ; 108-5426
4. 取扱説明書 ; 412-5653
5. シールラバーはフタル酸フリー品である。
6. 内装するキャビティプラグ型番 ; 316390-7

1. THE MATING CAP HSG P/N 2822344
2. APPLIED CONTACT P/N 917308
3. APPLICABLE PRODUCT SPEC No.108-5426
4. INSTRUCTION SHEET:412-5653
5. SEAL RUBBER IS NON-BIS TYPE
6. APPLIED CAVITY PLUG:316390-7



SECT. A-A

1	1	1	1	1	SEAL RUBBER (BLACK)	3
1	1	1	1	1	7POSITION HOUSING LANCE (GREEN)	2
1					7POSTION PLUG HOUSING (YELLOW)	1
	1				7POSTION PLUG HOUSING (GRAY)	1
		1			7POSTION PLUG HOUSING (BLACK)	1
			1		7POSITION PLUG HOUSING (NATURAL)	1
				1	7POSTION PLUG HOUSING (GREEN)	1
2822343-5	2822343-4	2822343-3	2822343-2	2822343-1	NAME & COLOR	ITEM NO.

TOLERANCE UNLESS OTHERWISE SPECIFIED:  
一般公差

0 < x ≤ 10	: ±0.2
10 < x ≤ 30	: ±0.25
30 < x ≤ 100	: ±0.3
ANGLE ; 角度	: ±0.3°

THIS DRAWING IS A CONTROLLED DOCUMENT.

DIMENSIONS: 単位: 耗 mm	TOLERANCES UNLESS OTHERWISE SPECIFIED: 一般公差
	0 PLC ± - 1 PLC ± - 2 PLC ± - 3 PLC ± - 4 PLC ± - ANGLES ± -
MATERIAL 材料 PBT G	FINISH 仕上 SEE TABLE

DWN D.MATSUURA	09JUN2014
CHK T.KOHNO	09JUN2014
APVD T.KOHNO	09JUN2014
PRODUCT SPEC 製品規格	SEE TABLE
APPLICATION SPEC 取付適用規格	SEE TABLE
WEIGHT	0.85g

**STE** TE Connectivity

MINI MULTI LOCK CONNECTOR  
7POS PLUG HSG ASSY

SIZE	CAGE CODE	DRAWING NO 番号	RESTRICTED TO
A3	00779	G-2822343	-
CUSTOMER DRAWING		SCALE 尺度 5:1	SHEET 1 OF 1
		REV A3	