

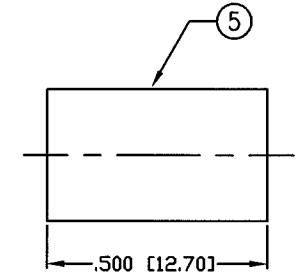
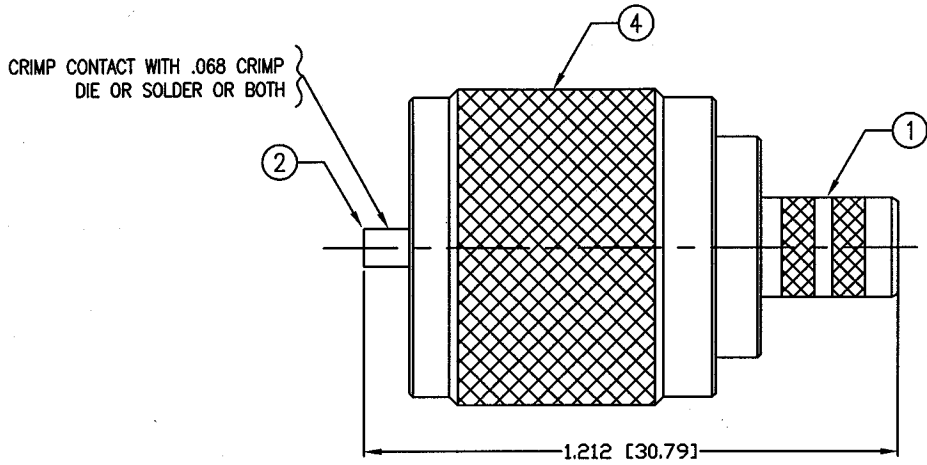
THIS DRAWING CONTAINS INFORMATION PROPRIETARY TO RF INDUSTRIES.
 ANY UNAUTHORIZED USE OF THIS DRAWING IS EXPRESSLY PROHIBITED
 WITHOUT WRITTEN PERMISSION FROM RF INDUSTRIES.
 ANY VIOLATION IS PUNISHABLE UNDER U.S. COPYRIGHT LAWS.

ALL DIMENSIONS ARE REFERENCE ONLY

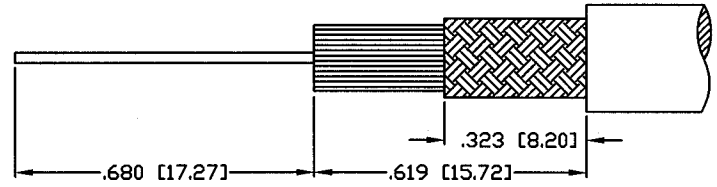
PART NO.

RFU-506

REV	DESCRIPTION	DWN	DATE	APPROVED
A1	ENGINEERING RELEASE	CJ	2/12/96	J. BENZ
B1	UPDATE & CHANGE FERRULE & FERRULE STUD DIM	PB	3/25/93	J. BENZ
C	STANDARDIZE	BMA	2/20/97	R. RICE
D	CHANGE FER STUD. OVERALL DIM, FORMAT & DWG # 8051	GGG	8/27/01	JDMc



RECOMMENDED CRIMP DIE: .255



SPECIFICATIONS:

IMPEDANCE: NON CONSTANT
 FREQUENCY RANGE: 0-300 MHz
 WORKING VOLTAGE: 500 V rms @ sea level
 FOR RG-59, 59A, 59B, 62, 62A, 62C 71, 140 & 210/U,
 BELDEN 8221, 8241, 8241A, 8254, 8255, 8263, 9169,
 9204, 9228, 9244, 9269 & 9862 CABLE

1	BODY	1	BRASS	NICKEL, 100μ"
2	CONTACT	1	BRASS	SILVER, 80μ"
3	DIELECTRIC	1	DAP	---
4	SHELL	1	BRASS	NICKEL, 100μ"
5	FERRULE	1	BRASS	NICKEL, 100μ"
6				
7				
8				
9				
10				
11				
12				
13				
14				
#	DESCRIPTION	QTY	MATRL	FINISH

000486	
DRAWN	G. GALLEGOS
CHECKED	JDMc 8/27/01
ORJ DRAWN	C. JONES
DATE	2/12/96
APPROVALS	
DATE	

UNLESS OTHERWISE SPECIFIED:
 1. REMOVE ALL BURRS
 2. BREAK ALL CORNERS & EDGES .005 R. MAX.
 3. CHAMFER 1ST & LAST THREADS 45°
 4. SURFACE ROUGHNESS 63 FINISH MIL-STD-10
 5. DIAMETERS ON COMMON CENTERS TO BE CONCENTRIC WITHIN .002 T.I.R.
 6. ALL DIMENSIONS ARE AFTER PLATING.

DIMENSIONS ARE IN INCHES AND [MILLIMETERS]
 UNLESS OTHERWISE NOTED TOLERANCES ARE:
 DECIMALS .XXX±.003 [.08]
 .XX±.005 [.13]
 DIAMETER .XXX±.001 [.03]
 .XX±.003 [.08]



7610 MIRAMAR RD
 SAN DIEGO, CA 92126
 (858) 549-6340
 (858) 549-6345 FAX

UHF PLUG, CRIMP

SIZE	CABLE GROUP	DWG NO.	REV
A	D	RFU-506	D
SCALE:	NTS	CAD FILE	OUTLINE
			SHEET 1 OF 1