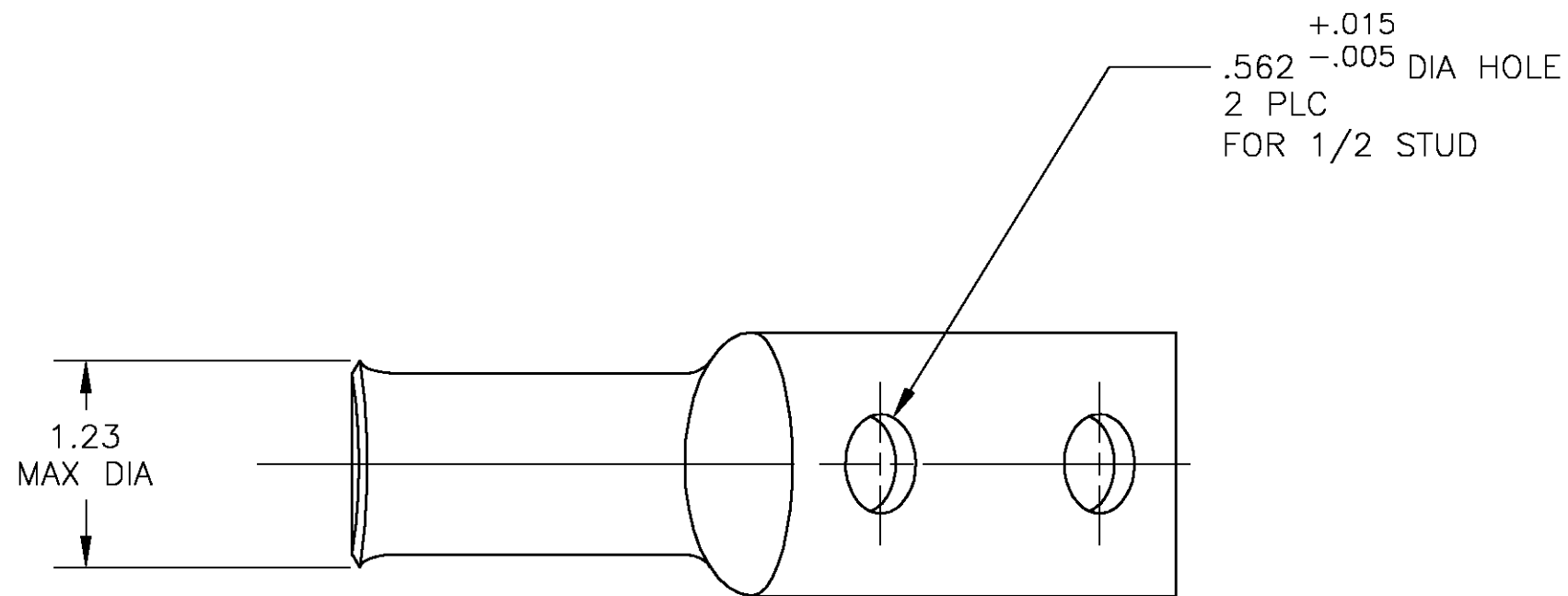
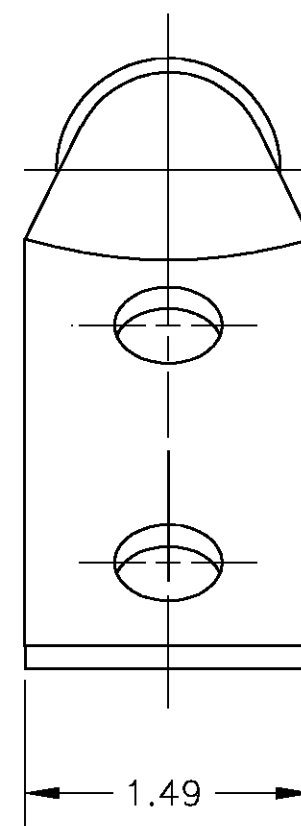
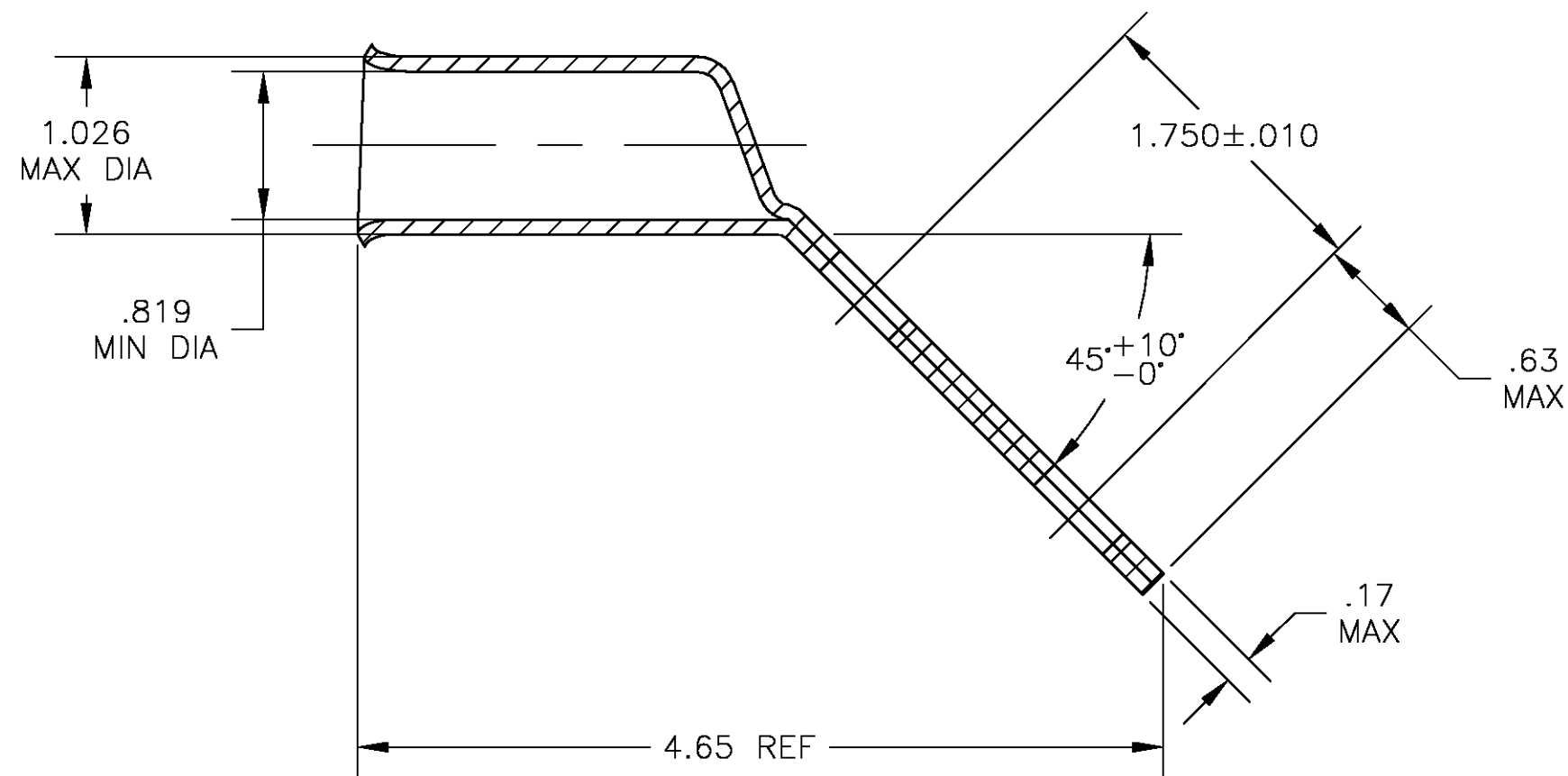
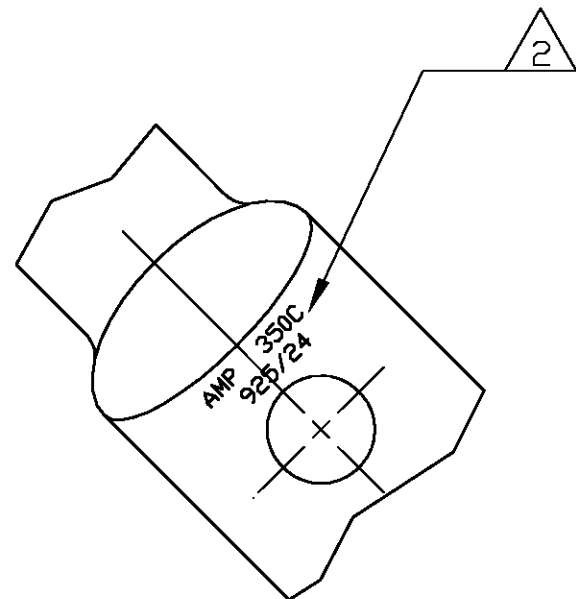


THIS DRAWING IS UNPUBLISHED. RELEASED FOR PUBLICATION
 © COPYRIGHT BY TYCO ELECTRONICS CORPORATION. ALL RIGHTS RESERVED.

LOC	DIST	REVISIONS					
		P	LTR	DESCRIPTION	DATE	DWN	APVD
G	86			PROPOSED	-	-	-



- 1 CIRCULAR MIL RANGE: 325-375 MCM
- 2 STAMP AMP 350C 925/24 ,LOCATE APPROX AS SHOWN.
- 3 .000150 MIN THK TIN PER ASTM B545
- 4 COPPER PER ASTM B-75, ANNEALED



696684-1
 PART NO

THIS DRAWING IS A CONTROLLED DOCUMENT.		DWN jr ruth 29JAN04	Tyco Electronics Corporation Harrisburg, Pa 17105-3608	
DIMENSIONS: INCHES		CHK MJ SPICER 29JAN04		
TOLERANCES UNLESS OTHERWISE SPECIFIED:		APVD MJ SPICER 29JAN04	NAME TERMINAL, AMPOWER BENT 45, WIRE SIZE 350 MCM	
0 PLC ± - 1 PLC ± - 2 PLC ± - 3 PLC ± .020 4 PLC ± - ANGLES ± 1°		PRODUCT SPEC 108-30200	SIZE A2	CAGE CODE 00779
MATERIAL - 4		FINISH - 3	DRAWING NO C=696684	RESTRICTED TO -
CUSTOMER DRAWING			SCALE 1:1	SHEET 1 OF 1
			REV 0	