

NOTES:

1. MATERIAL AND FINISH (PLATING THICKNESS IN MICRO-INCHES):
 LOCKWASHER & HEX NUT - BRASS, NICKEL PLATED
 BODY - BRASS, GOLD PLATING
 CONTACT - BERYLLIUM COPPER, GOLD PLATING
 INSULATOR - PTFE, NATURAL
 GASKETS - SILICONE RUBBER

2. ELECTRICAL:
 A. IMPEDANCE: 50 OHM
 B. FREQUENCY RANGE: DC TO 3 GHz
 C. VSWR: 1.16 MAX TO 3GHz

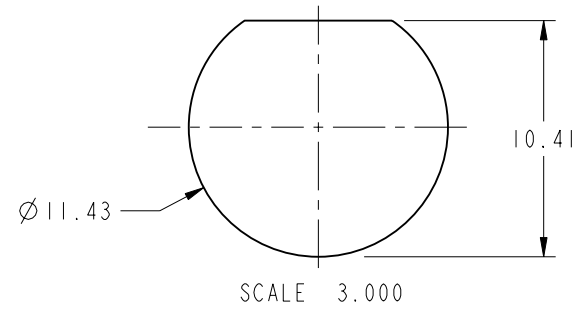
3. MECHANICAL:
 A. TEMPERATURE RANGE: -65° C TO +165° C
 B. SEALING REQUIREMENTS: DESIGN WHEN MOUNTED ON PANEL MUST WITHSTAND WATER PRESSURE AT DEPTH OF 1 METER FOR 30 MIN. WITHOUT ANY SIGN OF LEAKAGE IN MATED AND UNMATED CONDITIONS

4. PACKAGING:
 A. QUANTITY: SINGLE PACK
 B. MARKING: BAG TO BE MARKED "AMPHENOL, 901-10387, AND DATE CODE"

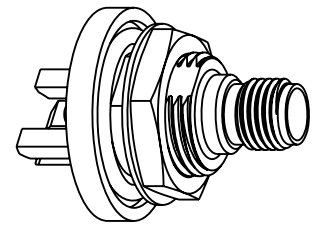
THIRD ANGLE PROJ.

REVISIONS

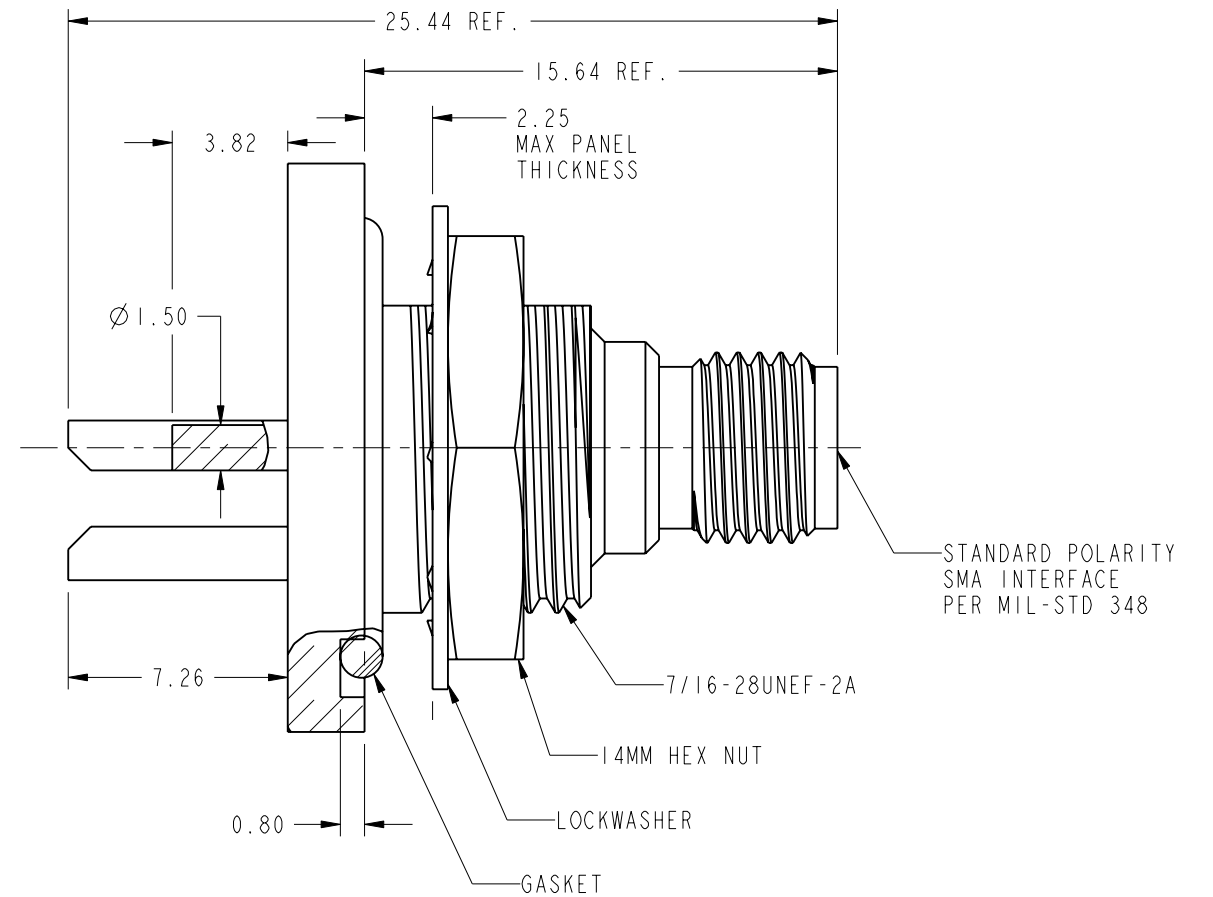
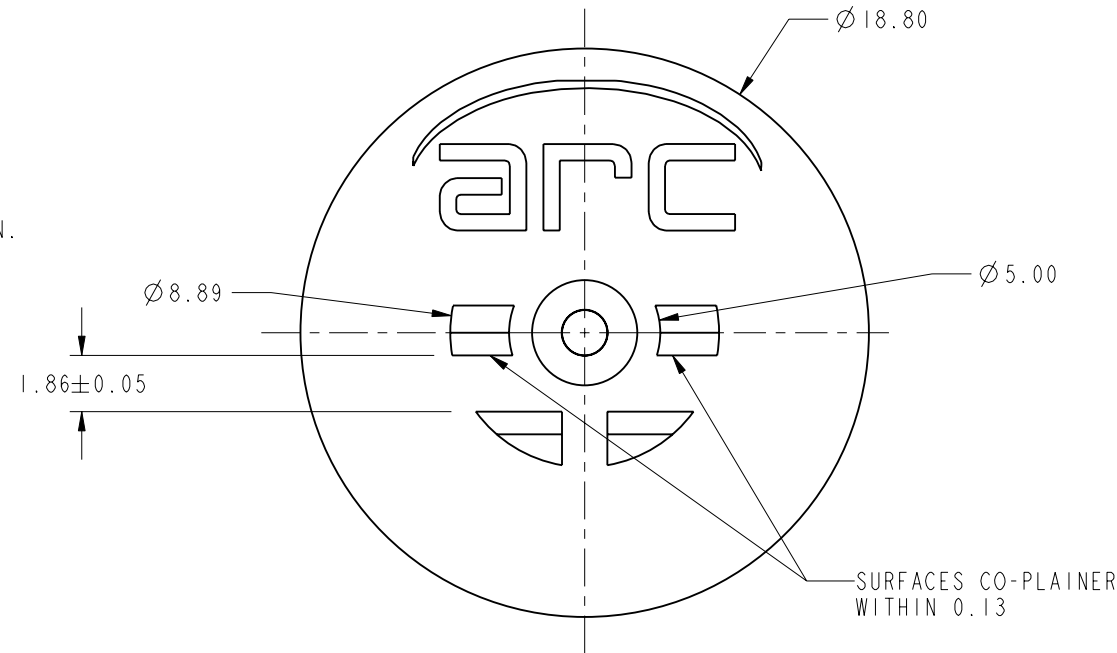
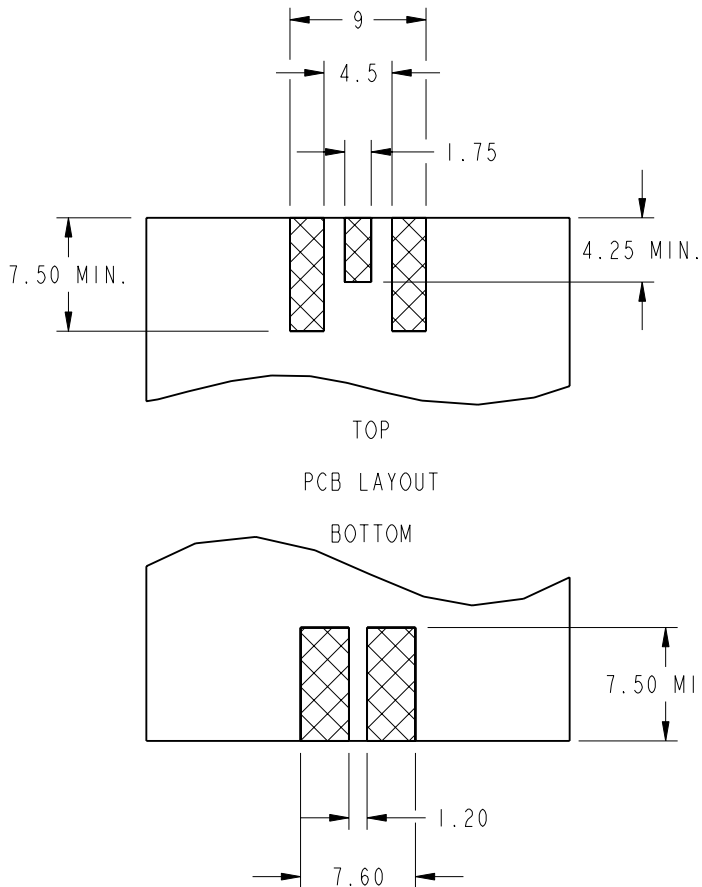
REV	DESCRIPTION	DATE	ECO	APPR
A	RELEASE TO MFG.	20-May-13	48962	JC
B	ADD ARC LOGO TO BODY\RD-DM13082201J8	29-Aug-13	49619	RLB



RECOMMENDED MOUNTING PANEL DIMENSIONS



SCALE 1.500



CUSTOMER OUTLINE DRAWING
 ALL OTHER SHEETS ARE FOR INTERNAL USE ONLY

UNLESS OTHERWISE SPECIFIED, DIMENSIONS ARE IN METRIC AND TOLERANCES ARE:
 <0.5mm ±0.05mm 0.5 - 6mm ±0.1mm 6 - 30mm ±0.2mm 30 - 120mm ±0.3mm ANGLES ±1°

NOTICE - These drawings, specifications, or other data (1) are, and remain the property of Amphenol corp. (2) must be returned upon request; and (3) are confidential and not to be disclosed to any person other than those to whom they are given by Amphenol Corp. the furnishing of these drawings, specifications, or other data by Amphenol Corp., or to any other person to anyone for any purpose is not to be regarded by implication or otherwise in any manner licensing, granting rights to permitting such holder or any other person to manufacture, use or sell any product, process or design, patented or otherwise, that may in any way be related to or disclosed by said drawings, specifications, or other data.

MATERIAL SEE NOTES	DRAWN J.CHEN	DATE 29-Aug-13	TITLE SMA BHD JACK IP-67 (UNMATED) EDGE MOUNT FOR .062" BOARD		Amphenol RF www.amphenolrf.com
REFERENCE EAR # 5023	ENGINEER D.DAVE	DATE 30-Jan-12	SCALE: 4.0:1.0 SHEET 2 OF 2		
CONFIGURATION LEVEL: <input type="checkbox"/> <input type="checkbox"/>	APPROVED S.HSIEH	DATE 04-Sep-13	DWG SIZE B	REV B	DRAWING NO. 901-10387
FINISH					ITEM NO. 901-10387
					PART NO. 901-10387