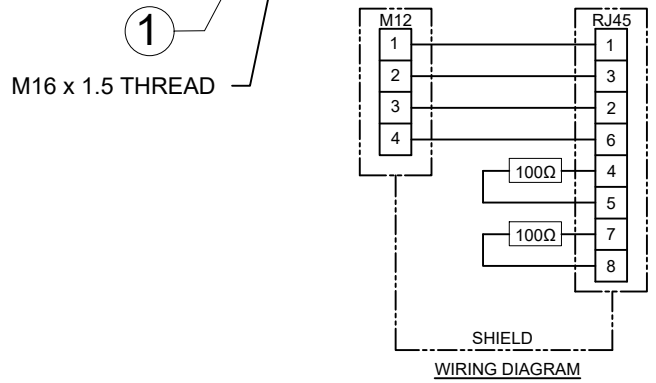
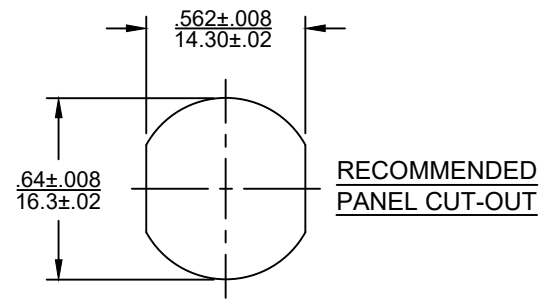
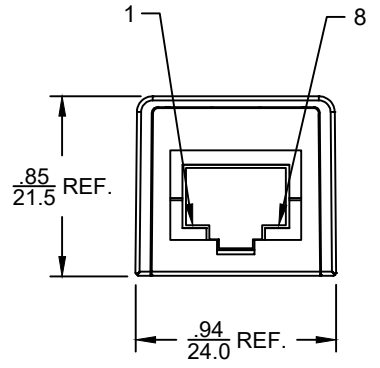
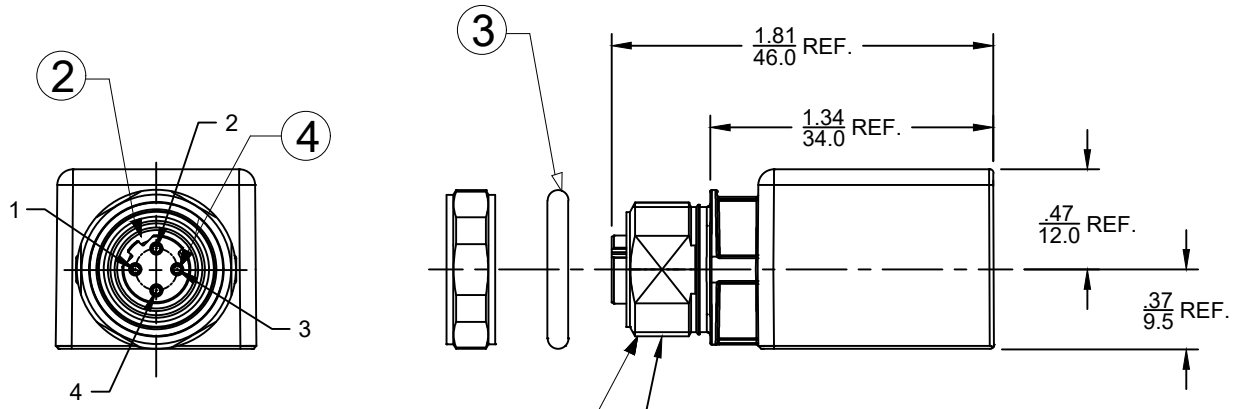
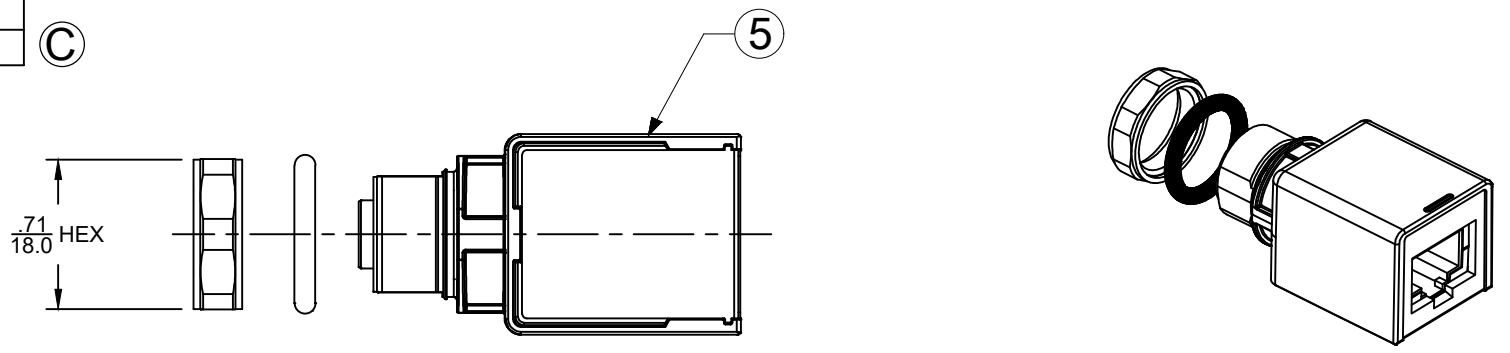


PART NO.	ENGINEERING NO.
1300540031	ER1PADAPTER

(C)



- NOTES:
- 1) MATERIAL: SEE TABLE
  - 2) FINISHES: SEE TABLE
  - 3) ELECTRICAL DATA: CAT 5E
  - 4) ENVIRONMENTAL:  
PROTECTION: M12 - IP65/IP67  
RJ45 - IP20  
TEMPERATURE: -5°C TO +60°C
  - 5) ASSEMBLY IS RoHS COMPLIANT.

5	BODY	NYLON	BLACK
4	SOCKET CONTACT	COPPER ALLOY	GOLD PLATED
3	OUTER O-RING	NITRILE	GREEN
2	INSERT, D-CODE	NYLON	GRAY
1	SHELL	BRASS	NICKEL
ITEM	DESCRIPTION	MATERIAL	FINISH

FUNCTIONAL SYMBOLS										THIS DRAWING CONTAINS INFORMATION THAT IS PROPRIETARY TO MOLEX ELECTRONIC TECHNOLOGIES, LLC AND SHOULD NOT BE USED WITHOUT WRITTEN PERMISSION									
DIMENSION UNITS					SCALE					CURRENT REV DESC: CORRECT PN TABLE									
INCH					1:1					EC NO: 640233 DRWN: CCHRSTKA 2020/06/24 CHK'D: MZIELINSKI 2020/06/24 APPR: BWOODMAN 2020/07/07 INITIAL REVISION: DRWN: MZIELINS 2016/05/16 APPR: BWOODMAN 2016/05/26									
GENERAL TOLERANCES (UNLESS SPECIFIED)																			
FA=0		FC=0		FE=0		mm		INCH		DOCUMENT NUMBER: SD-130054-003 DOC TYPE: PSD DOC PART: 001 REVISION: C MATERIAL NUMBER: GENERAL MARKET CUSTOMER: GENERAL MARKET SHEET NUMBER: 1 OF 1									
4 PLACES		±----		±----		±----		±----											
3 PLACES		±----		±----		±----		±----											
2 PLACES		±----		±----		±----		±----											
1 PLACE		±----		±----		±----		±----											
0 PLACES		±----		±----		±----		±----											
DIVISIONAL SYMBOLS										ANGULAR TOL ± ---- °									
DRAFT WHERE APPLICABLE MUST REMAIN WITHIN DIMENSIONS										THIRD ANGLE PROJECTION									
DRAWING					SERIES					MATERIAL NUMBER					CUSTOMER				
A-SIZE					130054					GENERAL MARKET					PSD 001 C				

DOCUMENT STATUS	P1	RELEASE DATE	2020/07/07	15:47:21
-----------------	----	--------------	------------	----------