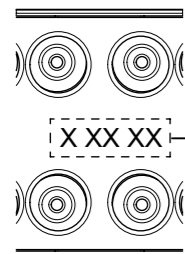
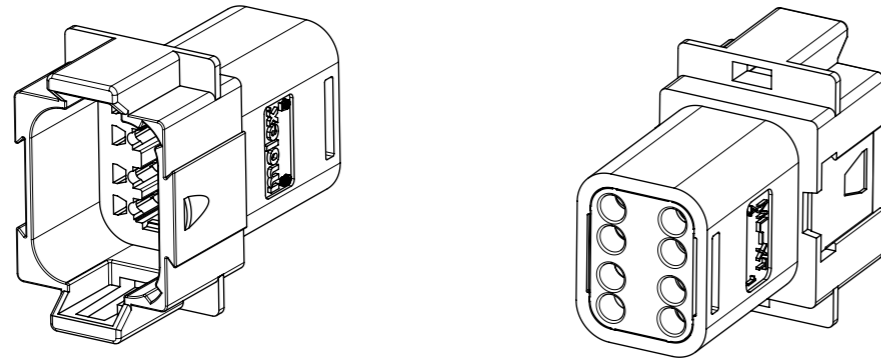


NOTES:
 1. SEE SHEETS 2 - 9 FOR UNSPECIFIED NOTES, DIMENSIONS & PART NUMBERS

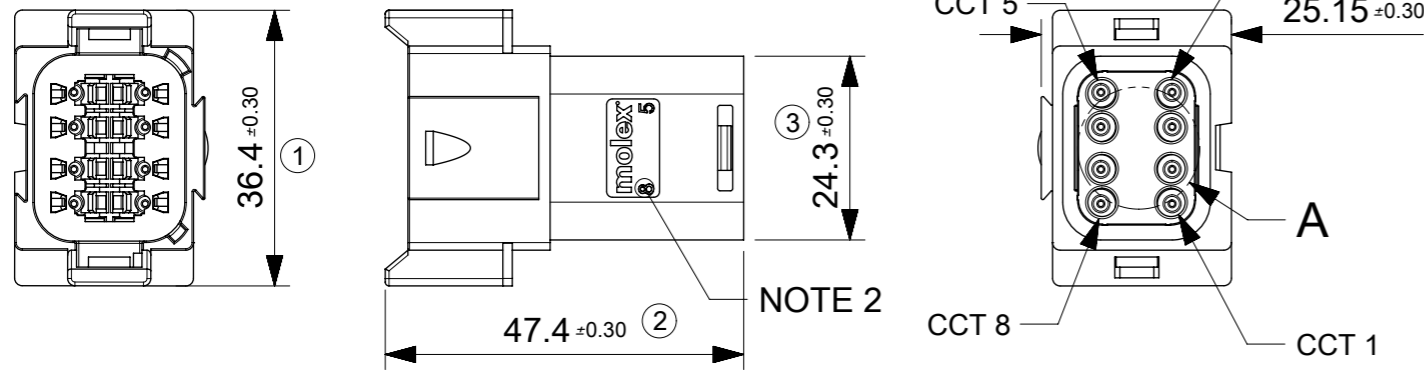
SYMBOLS	THIS DRAWING CONTAINS INFORMATION THAT IS PROPRIETARY TO MOLEX ELECTRONIC TECHNOLOGIES, LLC AND SHOULD NOT BE USED WITHOUT WRITTEN PERMISSION		CURRENT REV DESC: SEE LONG TEXT			molex		
	DIMENSION UNITS	SCALE						
▽ = 0	mm	1.5:1	GENERAL TOLERANCES (UNLESS SPECIFIED)			PRODUCT CUSTOMER DRAWING		
▽ = 0	ANGULAR TOL ± 2.0°		4 PLACES ±	CHK'D: JFLETCHER	2018/09/05	DOCUMENT NUMBER		
▽ = 0	2 PLACES ± 0.1		3 PLACES ±	APPR: IOCONNELL	2018/09/14	DOC TYPE DOC PART REVISION		
▽ = 0	1 PLACE ± 0.2		0 PLACES ±	INITIAL REVISION:		934430050		
▽ = 0	DRAFT WHERE APPLICABLE MUST REMAIN WITHIN DIMENSIONS		DRWN: JFLETCHER		2016/01/05	SEE CHART		
▽ = 0	THIRD ANGLE PROJECTION		APPR: JDWALLACE		2016/01/14	GENERAL MARKET		
DRAWING			SERIES			SHEET NUMBER		
A3-SIZE			93443			1 OF 9		

8CCT RECEPTACLE CONNECTOR



DETAIL A
SCALE 2:1

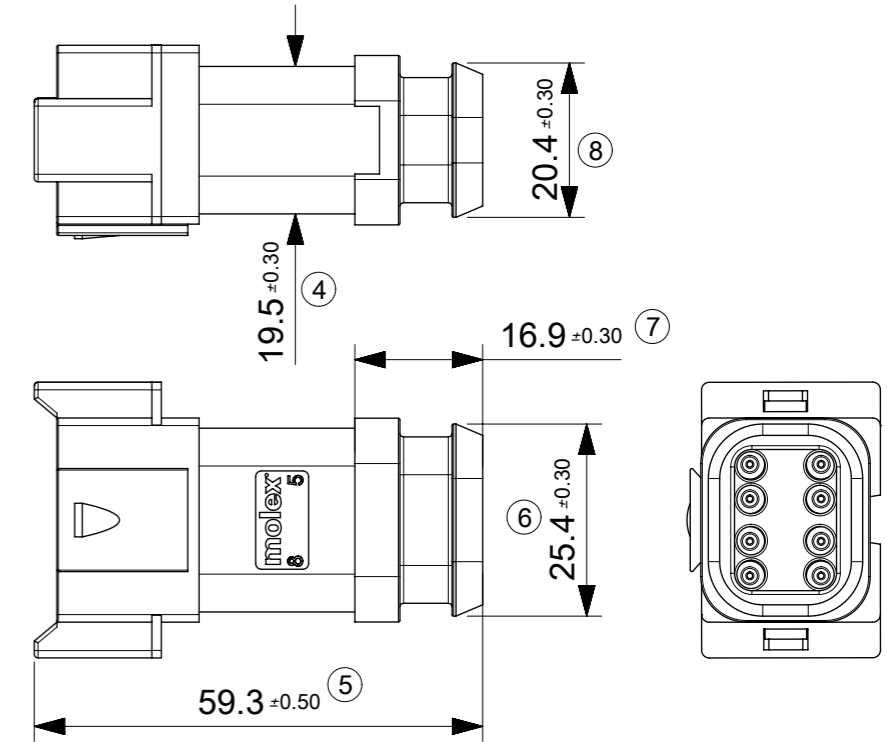
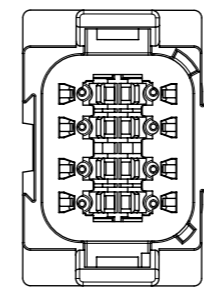
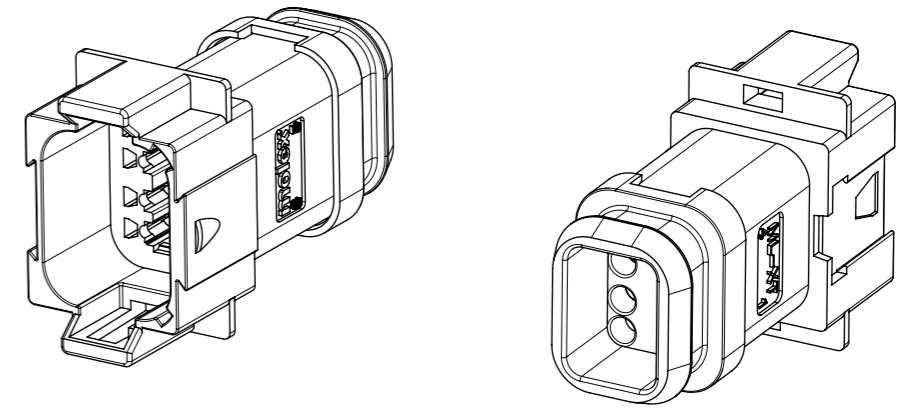
DATE CODE: X XX XX
X — DAY: 1-7
X — WEEK: 01 - 52
X — YEAR: 00 - 99
— MACHINE NO. 1
EXAMPLE: 11315 = DAY 1, WEEK 13, YEAR 15
i.e. 23rd OF MARCH 2015



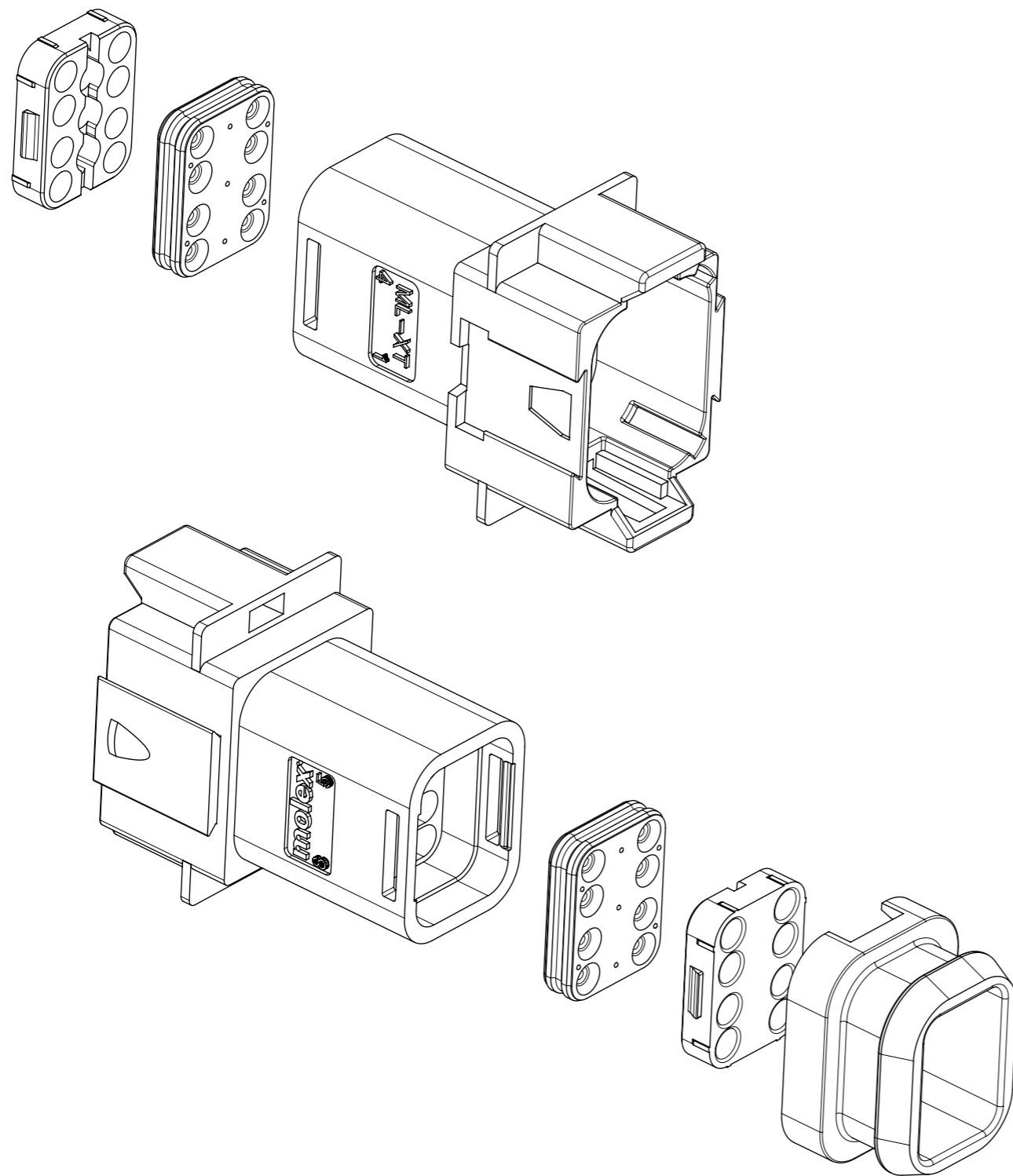
NOTES

- MATERIAL
HOUSING: NYLON 30% GF
BACK SEAL: HIGH CONSISTENCY RUBBER
 - CIRCUIT IDENTIFICATION
 - JACKET RANGE LARGE = \varnothing 2.23MM TO 3.68MM (SEAL COLOUR: LIGHT BLUE)
JACKET RANGE SMALL = \varnothing 1.35MM TO 3.05MM (SEAL COLOUR: BURNT ORANGE)
 - SEE SHEET 3 FOR FINAL PART NUMBER DESIGNATION
 - SEE 934430010 PS P FOR PRODUCT SPECIFICATION
 - SEE 934430002 PS K FOR PACKAGING SPECIFICATION
- INSPECTION NUMBERS 1-50 RESERVED FOR SHEET 2
LAST INSPECTION NUMBER: 9

8CCT RECEPTACLE CONNECTOR WITH HEATSHRINK HOUSING ULTRASONICALLY WELDED IN PLACE



SYMBOLS		THIS DRAWING CONTAINS INFORMATION THAT IS PROPRIETARY TO MOLEX ELECTRONIC TECHNOLOGIES, LLC AND SHOULD NOT BE USED WITHOUT WRITTEN PERMISSION	
DIMENSION UNITS	SCALE	CURRENT REV DESC: SEE LONG TEXT	
$\nabla = 0$	mm	1:1	<p>molex</p> <p>8CCT ML-XT CV CONNECTOR SYSTEM</p> <p>PRODUCT CUSTOMER DRAWING</p> <p>DOCUMENT NUMBER: 934430050 DOC TYPE: PSD DOC PART: 000 REVISION: B1</p> <p>MATERIAL NUMBER: SEE CHART CUSTOMER: GENERAL MARKET SHEET NUMBER: 2 OF 9</p>
$\nabla = 0$	GENERAL TOLERANCES (UNLESS SPECIFIED)		
$\nabla = 0$	ANGULAR TOL $\pm 2.0^\circ$		
$\nabla = 0$	4 PLACES	\pm	
$\nabla = 0$	3 PLACES	\pm	
$\nabla = 0$	2 PLACES	± 0.1	
$\nabla = 0$	1 PLACE	± 0.2	
$\nabla = 0$	0 PLACES	\pm	
$\square = 0$	DRAFT WHERE APPLICABLE MUST REMAIN WITHIN DIMENSIONS		<p>THIRD ANGLE PROJECTION</p> <p>DRAWING: A3-SIZE</p> <p>SERIES: 93443</p>



8CCT RECEPTACLE CONNECTOR

SERIES NO.

93444

CIRCUIT SIZE
5 = 8CCT

5

-

-

ASSEMBLY OPTIONS

- 1 = RECEPTACLE ASSEMBLY FOR WIRE JACKET RANGE \varnothing 1.35mm - 3.05mm
- 2 = RECEPTACLE ASSEMBLY FOR WIRE JACKET RANGE \varnothing 2.23mm - 3.68mm
- 5 = RECEPTACLE ASSEMBLY & HEATSHRINK FOR WIRE JACKET RANGE \varnothing 1.35mm - 3.05mm
- 6 = RECEPTACLE ASSEMBLY & HEATSHRINK FOR WIRE JACKET RANGE \varnothing 2.23mm - 3.68mm

KEYING / COLOUR OPTION

- 12 = KEYING OPTION A (GREY)
- 11 = KEYING OPTION A (BLACK)
- 21 = KEYING OPTION B (BLACK)
- 33 = KEYING OPTION C (GREEN)
- 47 = KEYING OPTION D (BROWN)

EXAMPLE:

8CCT RECEP & HEATSHRINK FOR WIRE JACKET RANGE \varnothing 1.35mm-3.05mm, KEYING OPTION A (GREY): 93444-5512

NOTES

1. SEE SHEET 2 FOR UNSPECIFIED NOTES AND DIMENSIONS
2. BACK COVER COLOUR: BLACK
3. HEATSHRINK HOUSING COLOUR: BLACK

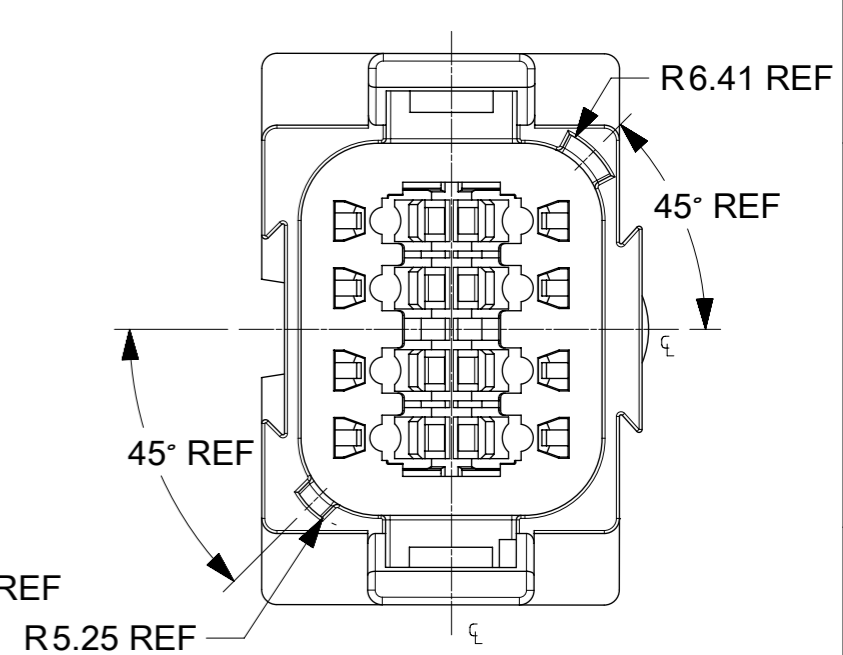
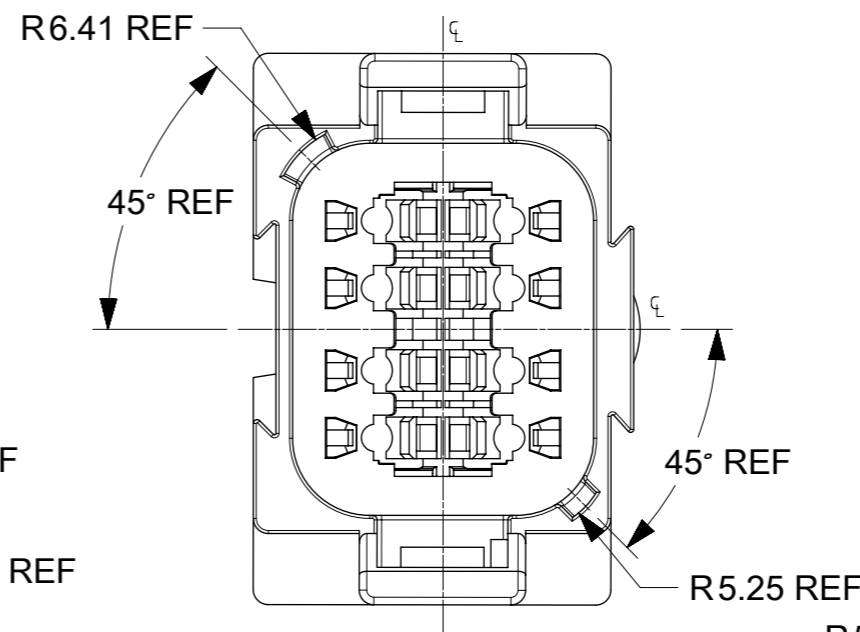
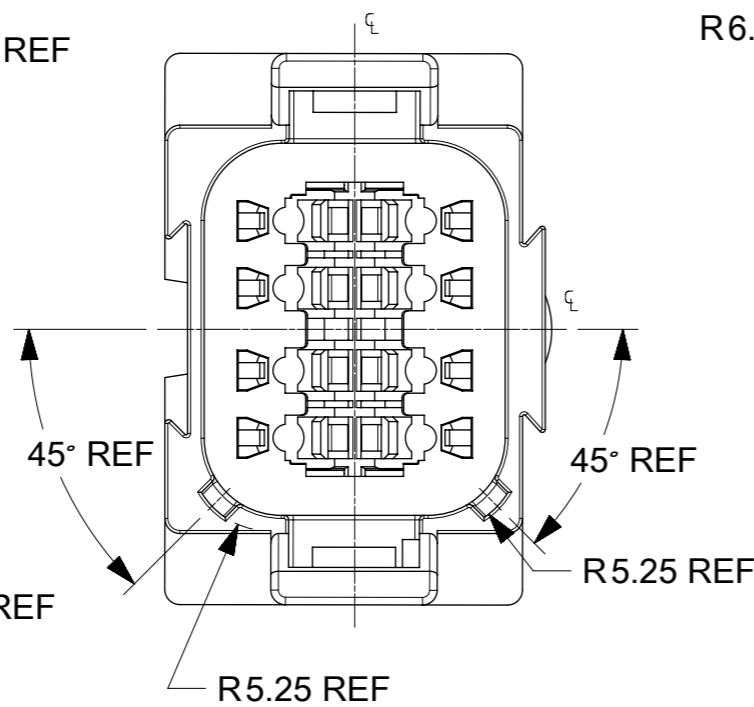
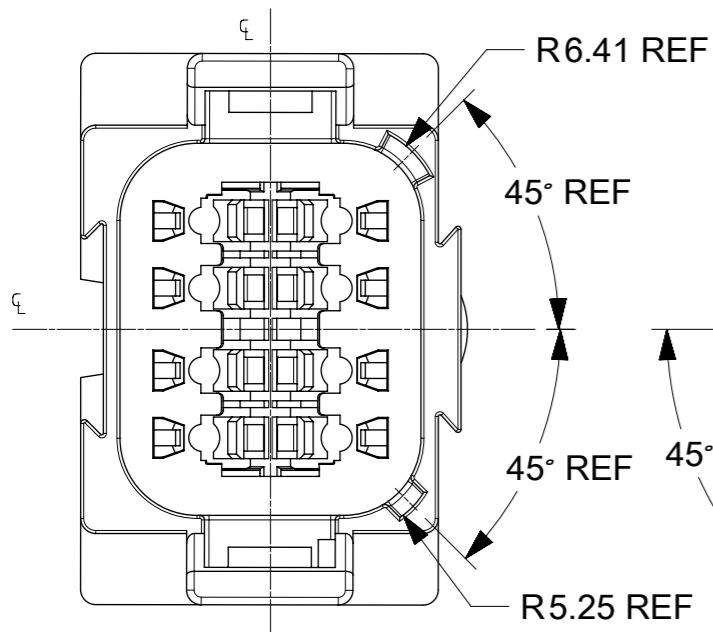
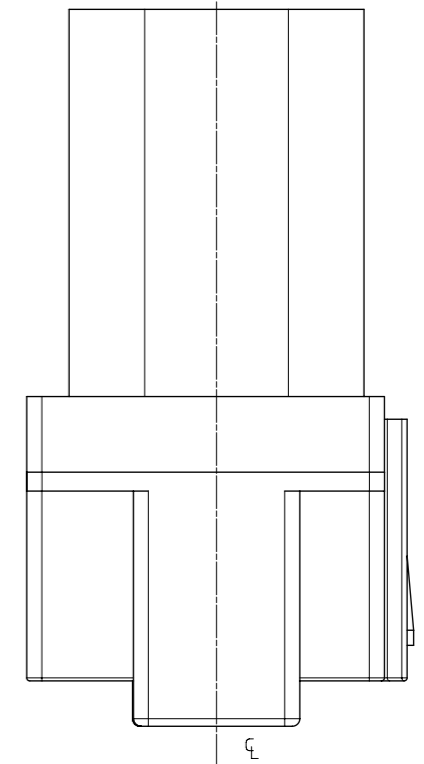
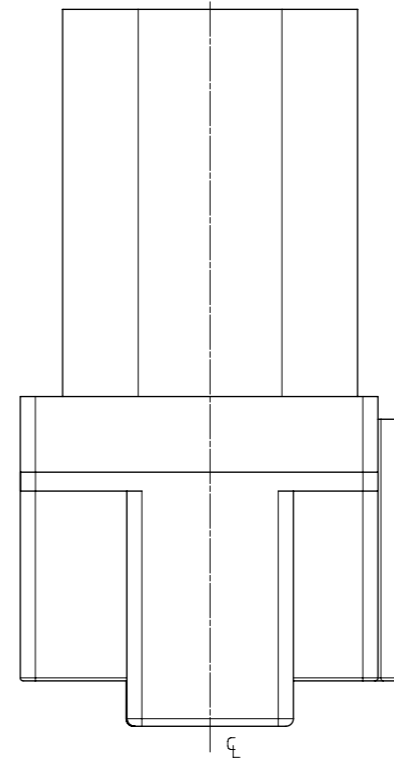
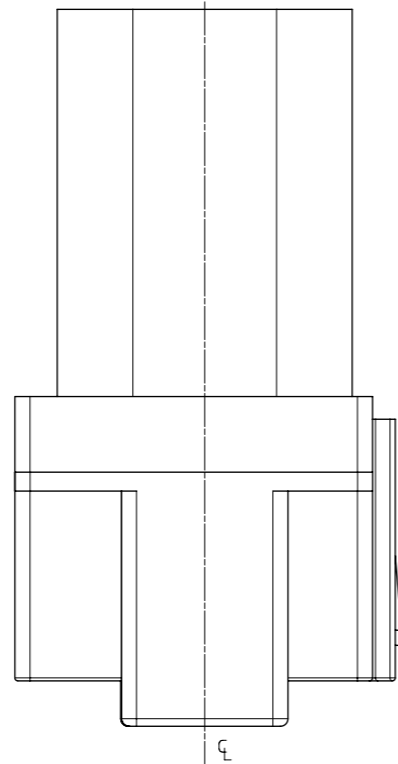
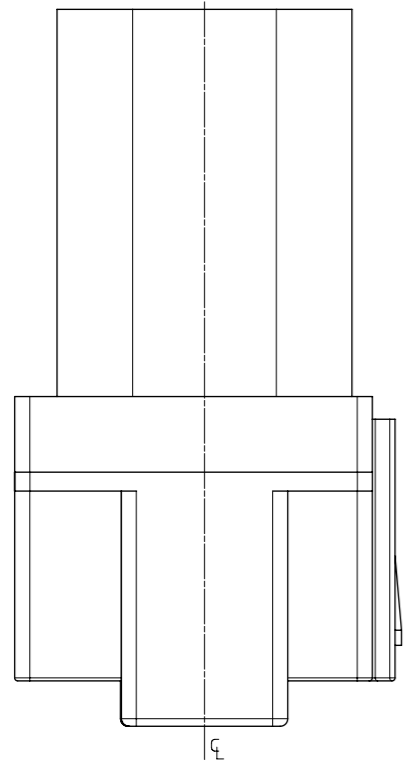
SYMBOLS	THIS DRAWING CONTAINS INFORMATION THAT IS PROPRIETARY TO MOLEX ELECTRONIC TECHNOLOGIES, LLC AND SHOULD NOT BE USED WITHOUT WRITTEN PERMISSION		CURRENT REV DESC: SEE LONG TEXT			molex				
	DIMENSION UNITS	SCALE							8CCT ML-XT CV CONNECTOR SYSTEM	
	$\nabla = 0$	mm	1.5:1	EC NO: 603808			PRODUCT CUSTOMER DRAWING			
	$\nabla = 0$	GENERAL TOLERANCES (UNLESS SPECIFIED)		DRWN: JFLETCHER 2018/09/03			DOCUMENT NUMBER			
$\nabla = 0$	ANGULAR TOL \pm 2.0°		CHK'D: JFLETCHER 2018/09/05			DOC TYPE DOC PART REVISION				
$\nabla = 0$	4 PLACES	\pm	APPR: IOCONNELL 2018/09/14			934430050 PSD 000 B1				
$\nabla = 0$	3 PLACES	\pm	INITIAL REVISION:			MATERIAL NUMBER				
$\nabla = 0$	2 PLACES	\pm 0.1	DRWN: JFLETCHER 2016/01/05			CUSTOMER				
$\nabla = 0$	1 PLACE	\pm 0.2	APPR: JDWALLACE 2016/01/14			GENERAL MARKET				
$\nabla = 0$	0 PLACES	\pm	THIRD ANGLE PROJECTION			SHEET NUMBER				
$\nabla = 0$	DRAFT WHERE APPLICABLE MUST REMAIN WITHIN DIMENSIONS		DRAWING			SEE CHART				
$\nabla = 0$			SERIES			3 OF 9				
		A3-SIZE			93443					

KEYING OPTION A

KEYING OPTION B

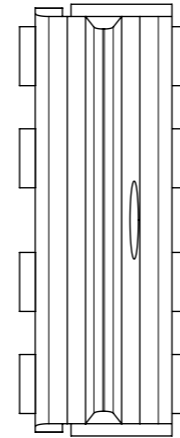
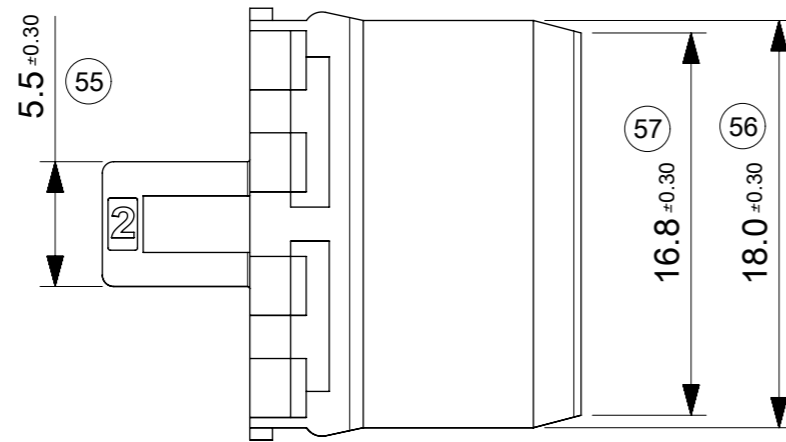
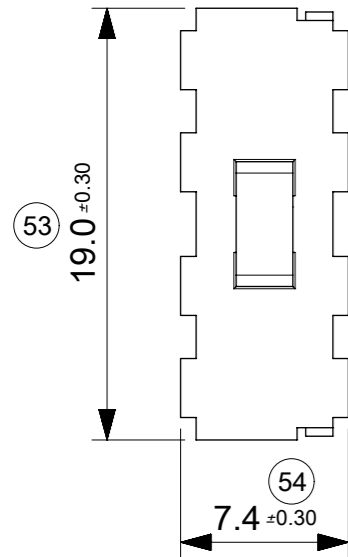
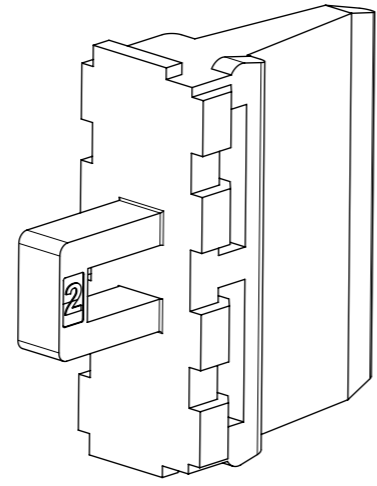
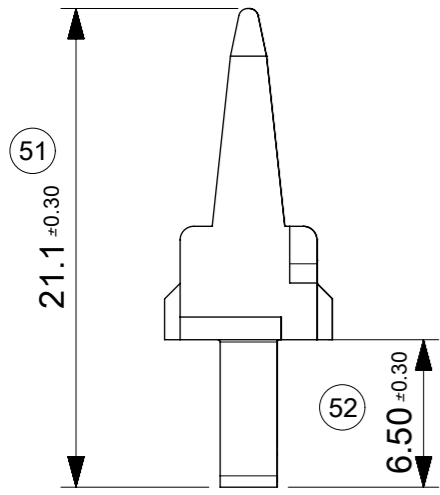
KEYING OPTION C

KEYING OPTION D

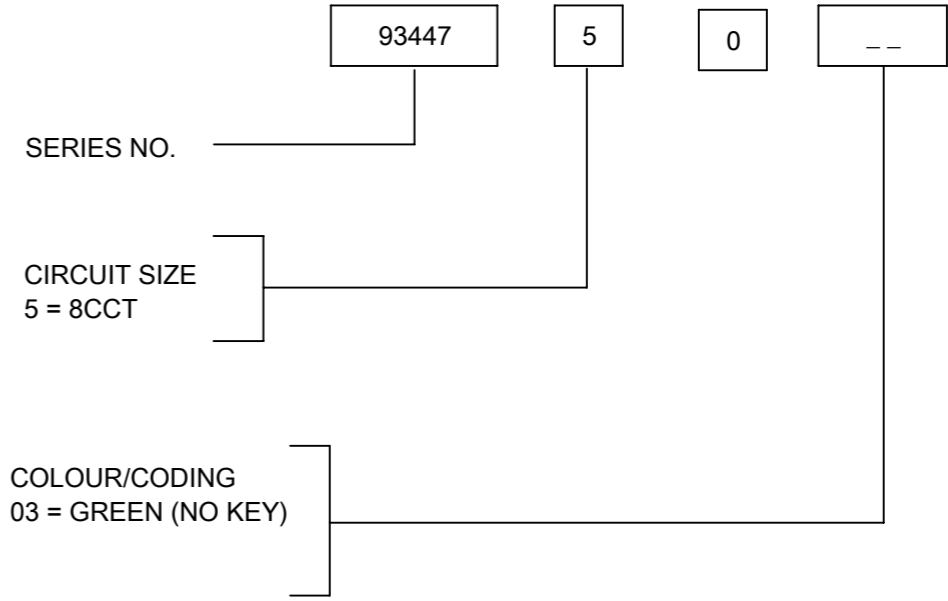


NOTES:
1. SEE SHEETS 2 & 3 FOR UNSPECIFIED NOTES & DIMENSIONS

SYMBOLS	THIS DRAWING CONTAINS INFORMATION THAT IS PROPRIETARY TO MOLEX ELECTRONIC TECHNOLOGIES, LLC AND SHOULD NOT BE USED WITHOUT WRITTEN PERMISSION		CURRENT REV DESC: SEE LONG TEXT			molex		
	DIMENSION UNITS	SCALE	8CCT ML-XT CV CONNECTOR SYSTEM					
▽ = 0	mm	2:1	EC NO: 603808			PRODUCT CUSTOMER DRAWING		
▽ = 0	GENERAL TOLERANCES (UNLESS SPECIFIED)		DRWN: JFLETCHER 2018/09/03			DOCUMENT NUMBER		
▽ = 0	ANGULAR TOL ± 2.0°		CHK'D: JFLETCHER 2018/09/05			DOC TYPE DOC PART REVISION		
▽ = 0	4 PLACES ±		APPR: IOCONNELL 2018/09/14			934430050 PSD 000 B1		
▽ = 0	3 PLACES ±		INITIAL REVISION:			MATERIAL NUMBER CUSTOMER		
▽ = 0	2 PLACES ± 0.1		DRWN: JFLETCHER 2016/01/05			SEE CHART GENERAL MARKET		
▽ = 0	1 PLACE ± 0.2		APPR: JDWALLACE 2016/01/14			SHEET NUMBER		
▽ = 0	0 PLACES ±		THIRD ANGLE PROJECTION			A3-SIZE 93443		
□ = 0	DRAFT WHERE APPLICABLE MUST REMAIN WITHIN DIMENSIONS		DRAWING			4 OF 9		
▽ = 0			SERIES					



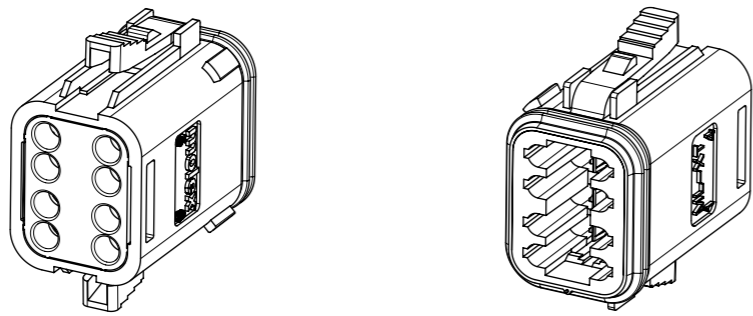
8CCT RECEP. WEDGELOCK



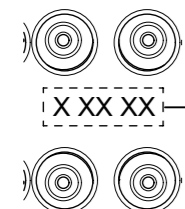
NOTES:
 1. MATERIAL: NYLON, 30% GLASS FILLED
 INSPECTION NUMBERS 51 - 100 USED FOR SHEET 5.
 LAST INSPECTION NUMBER 57

SYMBOLS	THIS DRAWING CONTAINS INFORMATION THAT IS PROPRIETARY TO MOLEX ELECTRONIC TECHNOLOGIES, LLC AND SHOULD NOT BE USED WITHOUT WRITTEN PERMISSION		CURRENT REV DESC: SEE LONG TEXT			molex		
	DIMENSION UNITS	SCALE						
▽ = 0	mm	3:1	934430050	PSD	000	B1	8CCT ML-XT CV CONNECTOR SYSTEM	
▽ = 0	GENERAL TOLERANCES (UNLESS SPECIFIED)		EC NO: 603808			PRODUCT CUSTOMER DRAWING		
▽ = 0	ANGULAR TOL ± 2.0°		DRWN: JFLETCHER 2018/09/03			DOCUMENT NUMBER		
▽ = 0	4 PLACES ±		CHK'D: JFLETCHER 2018/09/05			934430050		
▽ = 0	3 PLACES ±		APPR: IOCONNELL 2018/09/14			PSD 000 B1		
▽ = 0	2 PLACES ± 0.1		INITIAL REVISION:			MATERIAL NUMBER		
▽ = 0	1 PLACE ± 0.2		DRWN: JFLETCHER 2016/01/05			CUSTOMER		
▽ = 0	0 PLACES ±		APPR: JDWALLACE 2016/01/14			GENERAL MARKET		
■ = 0	DRAFT WHERE APPLICABLE MUST REMAIN WITHIN DIMENSIONS		THIRD ANGLE PROJECTION	DRAWING	SERIES	MATERIAL NUMBER	CUSTOMER	SHEET NUMBER
▽ = 0				A3-SIZE	93443	SEE CHART	GENERAL MARKET	5 OF 9

8CCT PLUG CONNECTOR



8CCT PLUG CONNECTOR WITH HEATSHRINK HOUSING ULTRASONICALLY WELDED IN PLACE



DETAIL B
SCALE 2:1

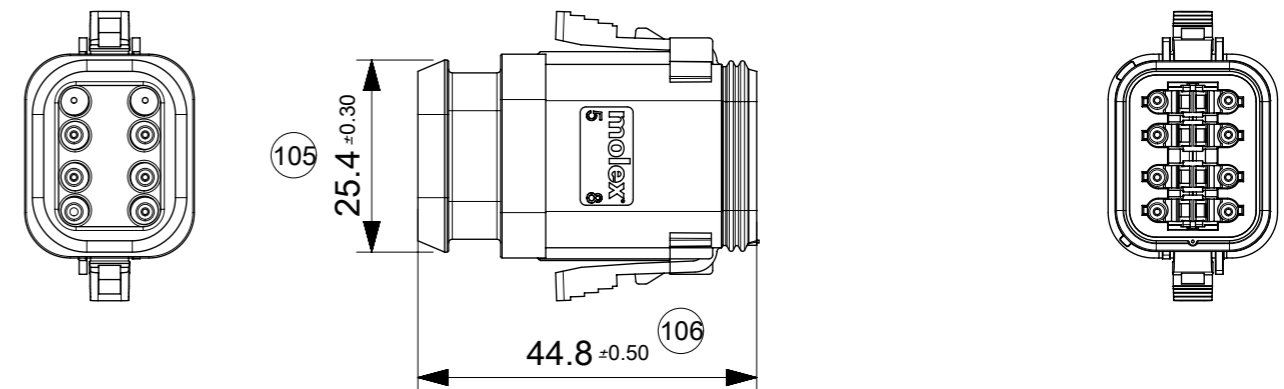
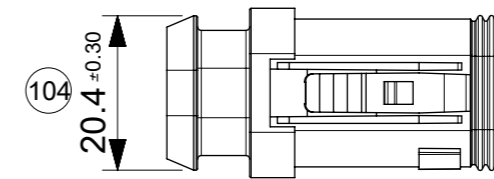
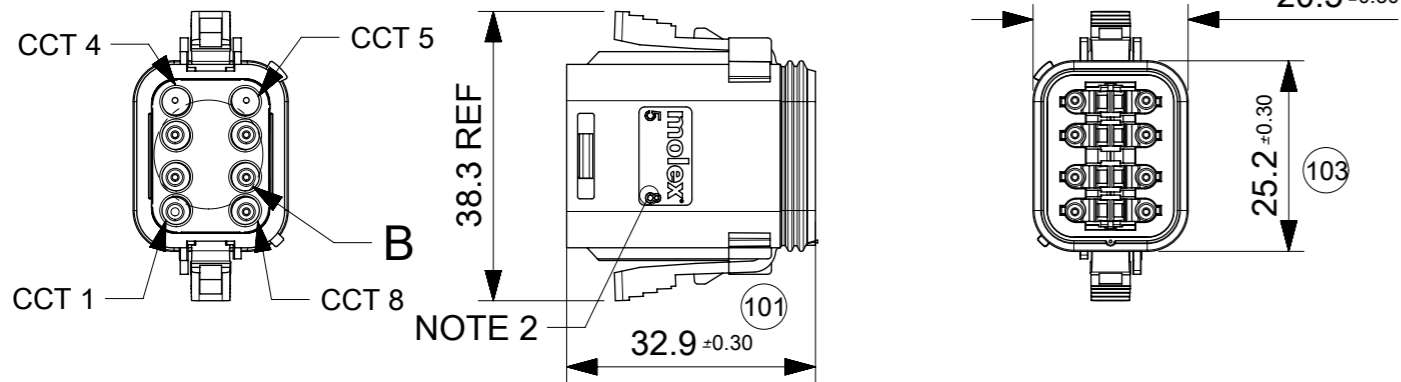
DATE CODE: X XX XX
X — DAY: 1- 7

X — WEEK: 01 - 52

X — YEAR: 00 - 99

— MACHINE NO. 1

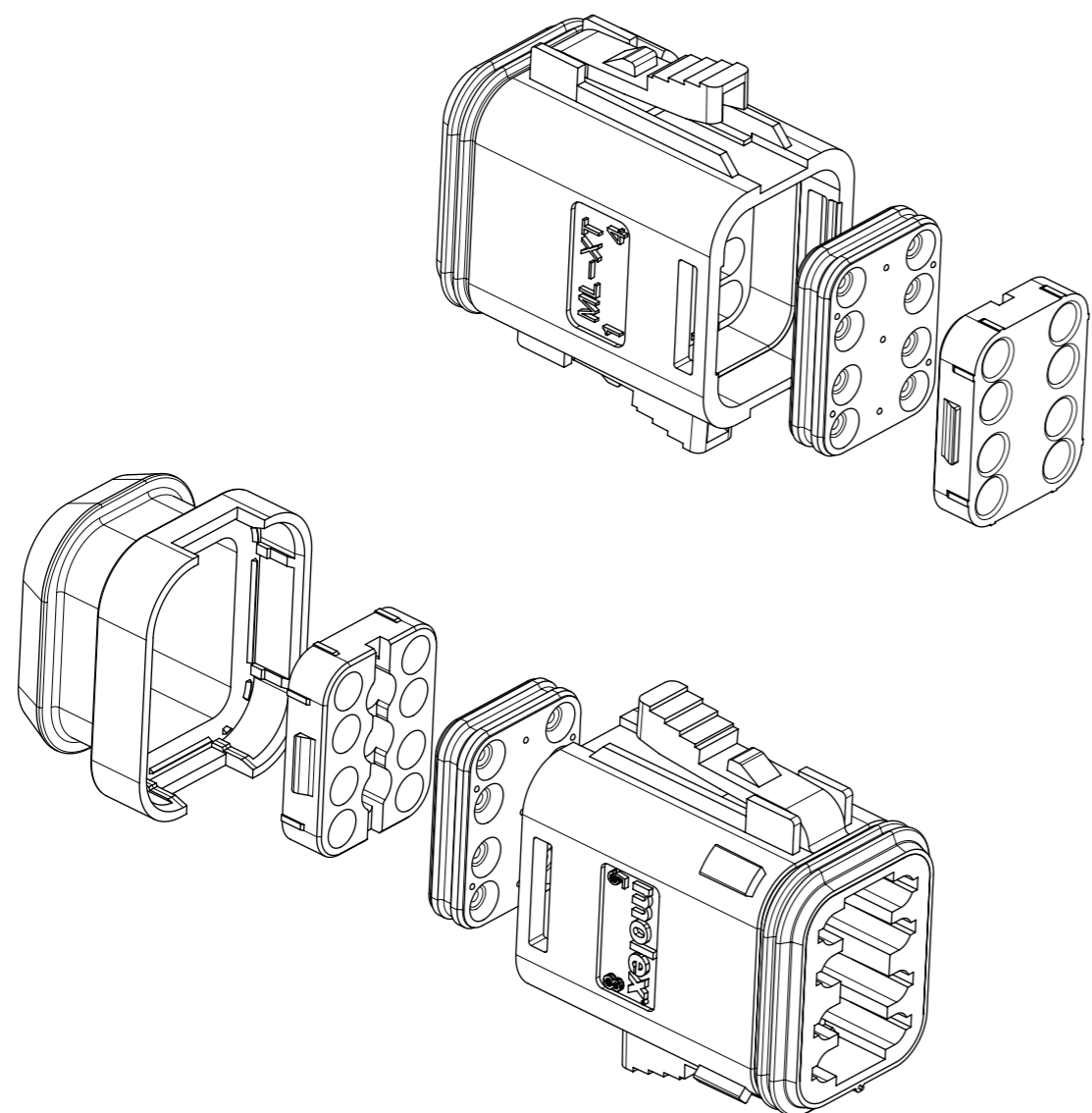
EXAMPLE: 11315 = DAY 1, WEEK 13, YEAR 15
i.e. 23rd OF MARCH 2015



NOTES

- MATERIAL**
HOUSING: NYLON 30% GF
PLUG SEAL: SILICONE
BACK SEAL: HIGH CONSISTENCY RUBBER
 - CIRCUIT IDENTIFICATION**
 - JACKET RANGE LARGE** = \varnothing 2.23MM TO 3.68MM (SEAL COLOUR: LIGHT BLUE)
JACKET RANGE SMALL = \varnothing 1.35MM TO 3.05MM (SEAL COLOUR: BURNT ORANGE)
 - SEE SHEET 3 FOR FINAL PART NUMBER DESIGNATION
 - SEE 934430010 PS P FOR PRODUCT SPECIFICATION
 - SEE 934430002 PS K FOR PACKAGING SPECIFICATION
- INSPECTION NUMBERS 101-150 RESERVED FOR SHEET 6
LAST INSPECTION NUMBER: 106

SYMBOLS		THIS DRAWING CONTAINS INFORMATION THAT IS PROPRIETARY TO MOLEX ELECTRONIC TECHNOLOGIES, LLC AND SHOULD NOT BE USED WITHOUT WRITTEN PERMISSION		CURRENT REV DESC: SEE LONG TEXT		molex	
▽ = 0	mm	SCALE	1:1	GENERAL TOLERANCES (UNLESS SPECIFIED)			
▽ = 0	4 PLACES	ANGULAR TOL ± 2.0°		EC NO: 603808		8CCT ML-XT CV CONNECTOR SYSTEM	
▽ = 0	3 PLACES	INITIAL REVISION:		DRWN: JFLETCHER 2018/09/03		PRODUCT CUSTOMER DRAWING	
▽ = 0	2 PLACES	DRWN: JFLETCHER 2018/09/05		CHK'D: JFLETCHER 2018/09/05		DOCUMENT NUMBER	
▽ = 0	1 PLACE	APPR: IOCONNELL 2018/09/14		APPR: IOCONNELL 2018/09/14		DOC TYPE DOC PART REVISION	
▽ = 0	0 PLACES	APPR: JDWALLACE 2016/01/14		APPR: JDWALLACE 2016/01/14		934430050 PSD 000 B1	
■ = 0	DRAFT WHERE APPLICABLE MUST REMAIN WITHIN DIMENSIONS	THIRD ANGLE PROJECTION	DRAWING	SERIES	MATERIAL NUMBER	CUSTOMER	SHEET NUMBER
▽ = 0			A3-SIZE	93443	SEE CHART	GENERAL MARKET	6 OF 9



8CCT PLUG CONNECTOR

SERIES NO.

93445

CIRCUIT SIZE
5 = 8CCT

5

-

-

ASSEMBLY OPTIONS

- 1 = PLUG ASSEMBLY FOR WIRE JACKET RANGE \varnothing 1.35mm - 3.05mm
- 2 = PLUG ASSEMBLY FOR WIRE JACKET RANGE \varnothing 2.23mm - 3.68mm
- 5 = PLUG ASSEMBLY & HEATSHRINK FOR WIRE JACKET RANGE \varnothing 1.35mm - 3.05mm
- 6 = PLUG ASSEMBLY & HEATSHRINK FOR WIRE JACKET RANGE \varnothing 2.23mm - 3.68mm

KEYING / COLOUR OPTION

- 12 = KEYING OPTION A (GREY)
- 11 = KEYING OPTION A (BLACK)
- 21 = KEYING OPTION B (BLACK)
- 33 = KEYING OPTION C (GREEN)
- 47 = KEYING OPTION D (BROWN)

EXAMPLE:

8CCT PLUG & HEATSHRINK FOR WIRE JACKET RANGE \varnothing 1.35mm-3.05mm, KEYING OPTION A (GREY): 93445-5512

NOTES

1. SEE SHEET 6 FOR UNSPECIFIED NOTES AND DIMENSIONS
2. BACK COVER COLOUR: BLACK
3. HEATSHRINK HOUSING COLOUR: BLACK

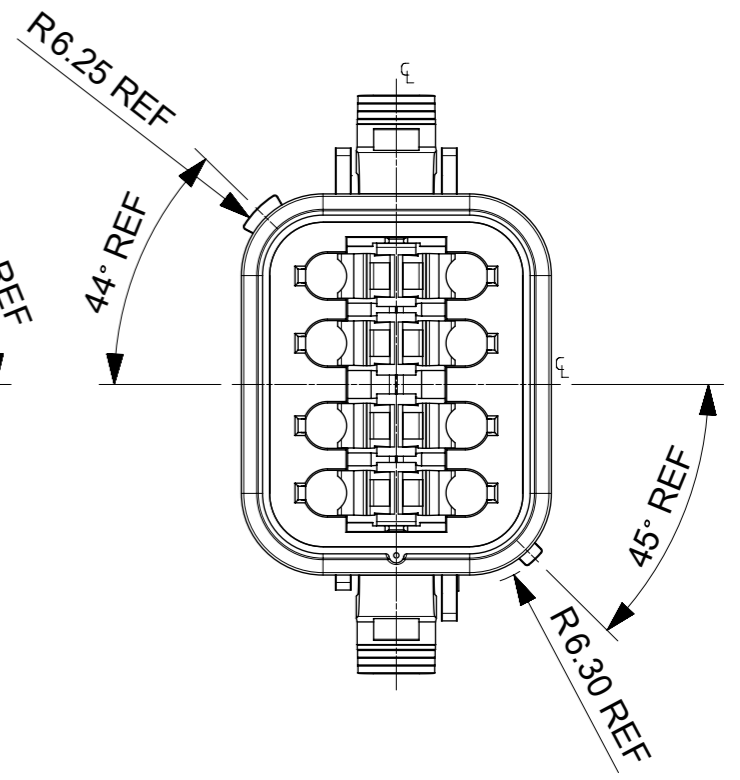
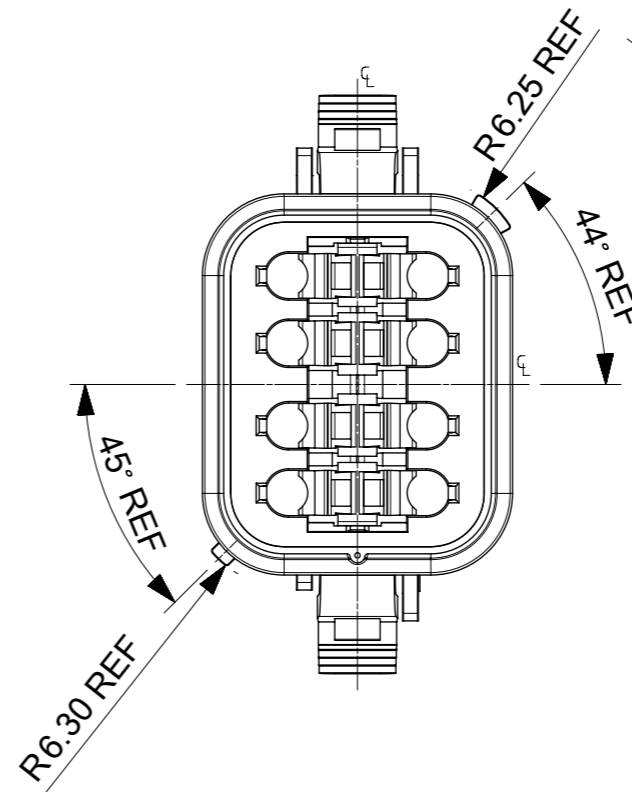
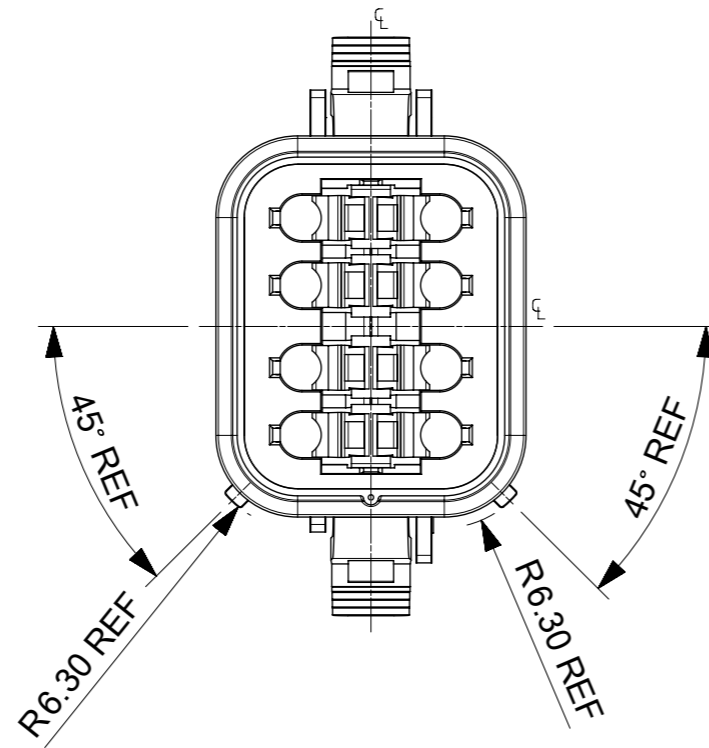
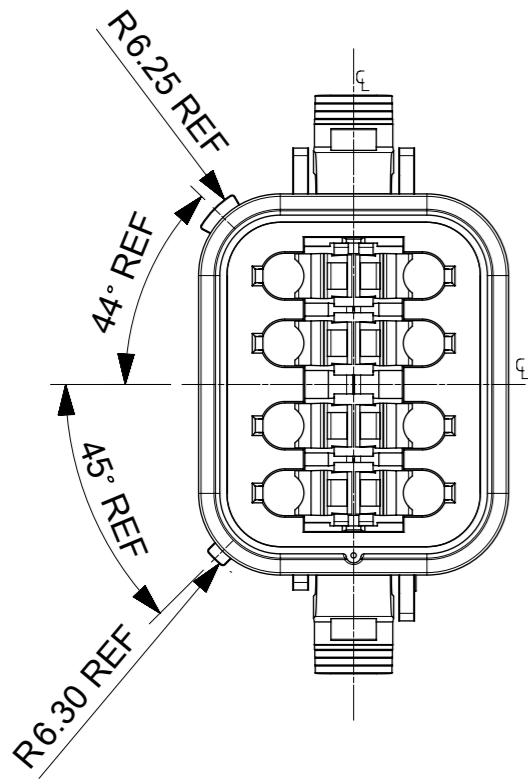
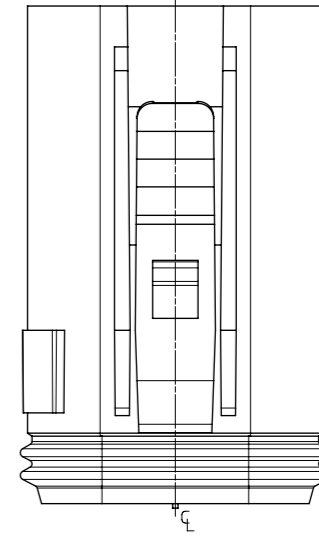
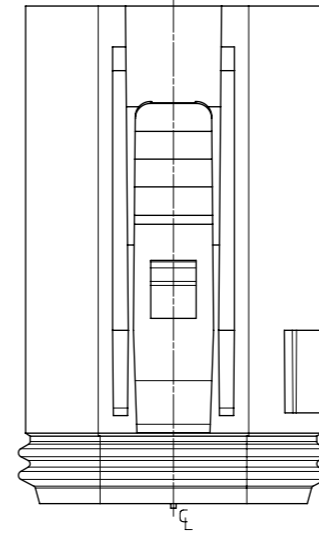
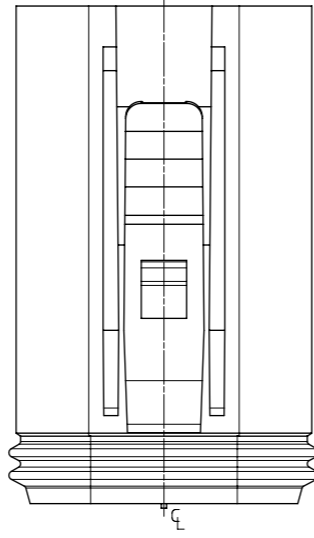
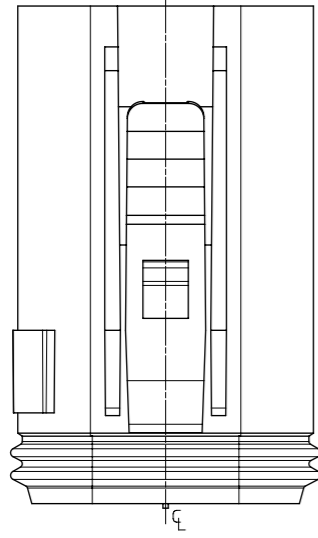
SYMBOLS		THIS DRAWING CONTAINS INFORMATION THAT IS PROPRIETARY TO MOLEX ELECTRONIC TECHNOLOGIES, LLC AND SHOULD NOT BE USED WITHOUT WRITTEN PERMISSION	
DIMENSION UNITS	SCALE	CURRENT REV DESC: SEE LONG TEXT	
$\nabla = 0$	mm	1.5:1	<p>molex</p> <p>8CCT ML-XT CV CONNECTOR SYSTEM</p> <p>PRODUCT CUSTOMER DRAWING</p>
$\nabla = 0$	GENERAL TOLERANCES (UNLESS SPECIFIED)		
$\nabla = 0$	ANGULAR TOL $\pm 2.0^\circ$		
$\nabla = 0$	4 PLACES	\pm	
$\nabla = 0$	3 PLACES	\pm	<p>EC NO: 603808</p> <p>DRWN: JFLETCHER 2018/09/03</p> <p>CHK'D: JFLETCHER 2018/09/05</p> <p>APPR: IOCONNELL 2018/09/14</p>
$\nabla = 0$	2 PLACES	± 0.1	<p>INITIAL REVISION:</p> <p>DRWN: JFLETCHER 2016/01/05</p> <p>APPR: JDWALLACE 2016/01/14</p>
$\nabla = 0$	1 PLACE	± 0.2	<p>DOCUMENT NUMBER</p> <p>934430050</p>
$\nabla = 0$	0 PLACES	\pm	<p>DOC TYPE</p> <p>PSD</p>
$\square = 0$	DRAFT WHERE APPLICABLE MUST REMAIN WITHIN DIMENSIONS		<p>DOC PART</p> <p>000</p>
$\nabla = 0$	THIRD ANGLE PROJECTION		<p>REVISION</p> <p>B1</p>
	DRAWING	SERIES	MATERIAL NUMBER
	A3-SIZE	93443	SEE CHART
		CUSTOMER	GENERAL MARKET
		SHEET NUMBER	7 OF 9

KEYING OPTION A

KEYING OPTION B

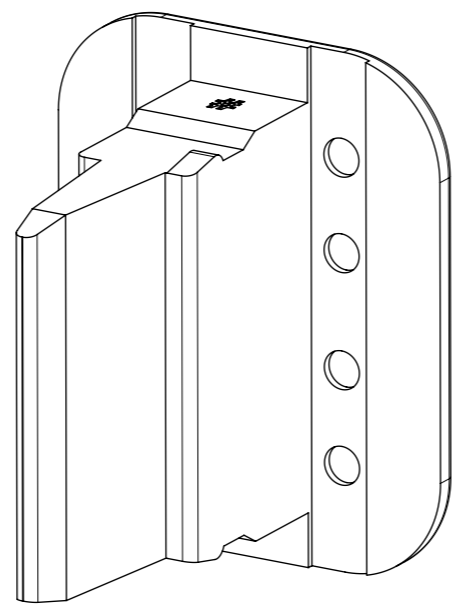
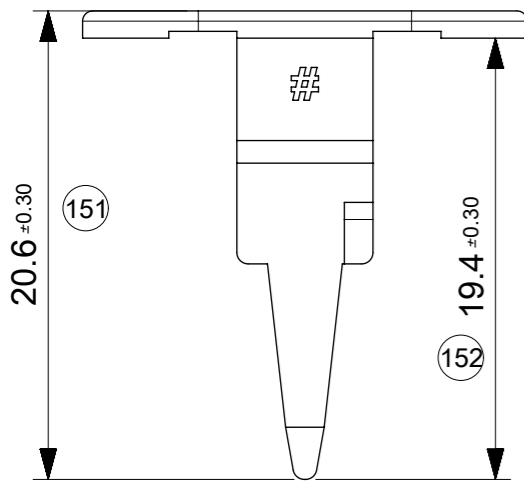
KEYING OPTION C

KEYING OPTION D



NOTES:
1. SEE SHEETS 6 & 7 FOR UNSPECIFIED NOTES & DIMENSIONS

SYMBOLS	THIS DRAWING CONTAINS INFORMATION THAT IS PROPRIETARY TO MOLEX ELECTRONIC TECHNOLOGIES, LLC AND SHOULD NOT BE USED WITHOUT WRITTEN PERMISSION		CURRENT REV DESC: SEE LONG TEXT			molex		
	DIMENSION UNITS	SCALE						
▽ = 0	mm	2:1	EC NO: 603808			8CCT ML-XT CV CONNECTOR SYSTEM		
▽ = 0	GENERAL TOLERANCES (UNLESS SPECIFIED)		DRWN: JFLETCHER 2018/09/03			PRODUCT CUSTOMER DRAWING		
▽ = 0	ANGULAR TOL ± 2.0°		CHK'D: JFLETCHER 2018/09/05			DOCUMENT NUMBER		
▽ = 0	4 PLACES ±		APPR: IOCONNELL 2018/09/14			DOC TYPE DOC PART REVISION		
▽ = 0	3 PLACES ±		INITIAL REVISION:			934430050		
▽ = 0	2 PLACES ± 0.1		DRWN: JFLETCHER 2016/01/05			PSD 000 B1		
▽ = 0	1 PLACE ± 0.2		APPR: JDWALLACE 2016/01/14			MATERIAL NUMBER CUSTOMER		
▽ = 0	0 PLACES ±		DRAFT WHERE APPLICABLE MUST REMAIN WITHIN DIMENSIONS			SEE CHART GENERAL MARKET		
▽ = 0	THIRD ANGLE PROJECTION		DRAWING		SERIES	SHEET NUMBER		
▽ = 0	A3-SIZE		93443		8 OF 9			

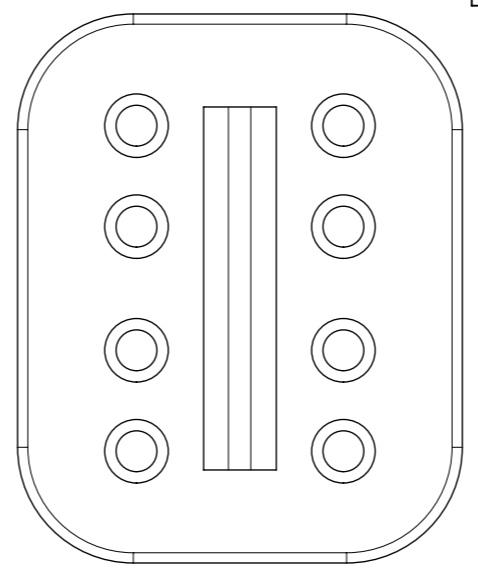
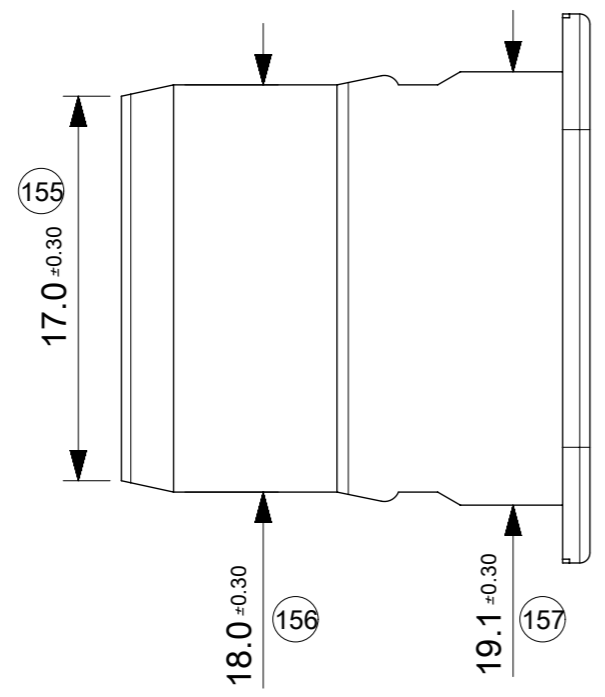
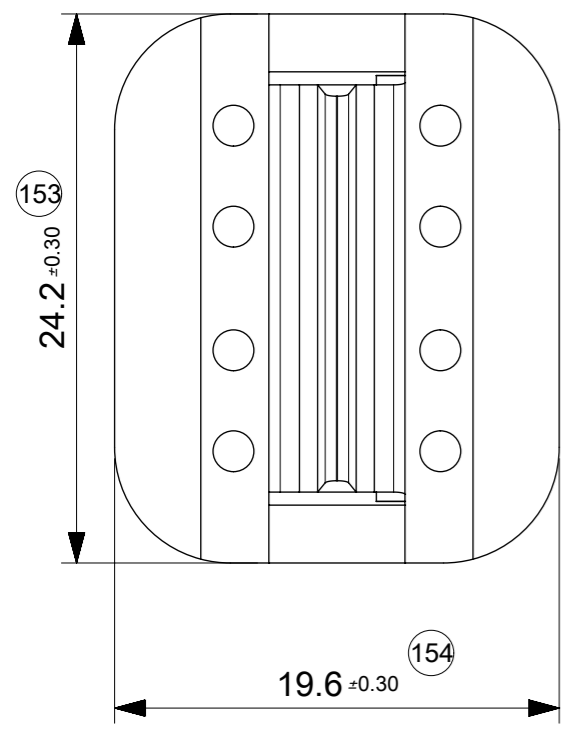


8CCT PLUG WEDGELOCK

SERIES NO. 93448 5 0 --

CIRCUIT SIZE 5 = 8CCT

COLOUR/CODING
03 = GREEN (NO KEY)
08 = ORANGE (NO KEY)



NOTES:
1. MATERIAL: NYLON, 30% GLASS FILLED
INSPECTION NUMBERS 151 - 200 USED FOR SHEET 9.
LAST INSPECTION NUMBER 157

SYMBOLS	THIS DRAWING CONTAINS INFORMATION THAT IS PROPRIETARY TO MOLEX ELECTRONIC TECHNOLOGIES, LLC AND SHOULD NOT BE USED WITHOUT WRITTEN PERMISSION		CURRENT REV DESC: SEE LONG TEXT			molex		
	DIMENSION UNITS	SCALE						
▽ = 0	mm	3:1	EC NO: 603808			DOCUMENT NUMBER		
▽ = 0	GENERAL TOLERANCES (UNLESS SPECIFIED)		DRWN: JFLETCHER 2018/09/03			DOC TYPE		
▽ = 0	ANGULAR TOL ± 2.0°		CHK'D: JFLETCHER 2018/09/05			DOC PART		
▽ = 0	4 PLACES ±		APPR: IOCONNELL 2018/09/14			REVISION		
▽ = 0	3 PLACES ±		INITIAL REVISION:			934430050		
▽ = 0	2 PLACES ± 0.1		DRWN: JFLETCHER 2016/01/05			PSD		
▽ = 0	1 PLACE ± 0.2		APPR: JDWALLACE 2016/01/14			000		
▽ = 0	0 PLACES ±		DRAFT WHERE APPLICABLE MUST REMAIN WITHIN DIMENSIONS			B1		
■ = 0	THIRD ANGLE PROJECTION		DRAWING		SERIES		MATERIAL NUMBER	
▽ = 0	A3-SIZE		93443		CUSTOMER		SEE CHART	
			GENERAL MARKET		SHEET NUMBER		9 OF 9	