

**PLASTI-GRIP**

TE Internal #: 696003-1

TE Internal Description: PG SPD 22-16 COMM 22-18 MIL 8

[View on TE.com >](#)



Terminals & Splices > Ring Terminals & Spade Terminals



Wire Size: 509 – 3260 CMA

Stud Size: #8, M4

Stud Diameter: 4.34 mm [ .171 in ]

**Features**

**Product Type Features**

Terminal Features	Heavy Duty
Stud Size	#8, M4
Sealable	No
Wire Insulation Support Retention Type	Insulation Support

**Configuration Features**

Number of Holes	1
-----------------	---

**Electrical Characteristics**

Voltage Rating	600 V
----------------	-------

**Body Features**

Product Weight	.155 g
Insulation Sleeve Color	Red

**Contact Features**

Barrel Type	Closed
Terminal Orientation	Straight
Terminal Plating Material	Tin

**Mechanical Attachment**

Wire Insulation Support	With
-------------------------	------

**Dimensions**

Wire Size	509 – 3260 CMA
Stud Diameter	4.34 mm [.171 in]



Tongue Thickness	.79 mm[.031 in] .105 – .14 in
------------------	----------------------------------

### Usage Conditions

Operating Temperature Range	105 °C
-----------------------------	--------

### Operation/Application

Compatible With Wire Base Material	Copper
Compatible With Wire Plating Material	Tin

### Industry Standards

Government Qualified Terminal	No
-------------------------------	----

### Packaging Features

Packaging Quantity	1000
Packaging Method	Loose Piece

## Product Compliance

[For compliance documentation, visit the product page on TE.com>](#)

EU RoHS Directive 2011/65/EU	Compliant
EU ELV Directive 2000/53/EC	Compliant
China RoHS 2 Directive MIIT Order No 32, 2016	No Restricted Materials Above Threshold
EU REACH Regulation (EC) No. 1907/2006	Current ECHA Candidate List: JUNE 2023 (235) Candidate List Declared Against: JAN 2017 (173) Does not contain REACH SVHC
Halogen Content	Not Low Halogen - contains Br or Cl > 900 ppm.
Solder Process Capability	Not applicable for solder process capability

#### Product Compliance Disclaimer

This information is provided based on reasonable inquiry of our suppliers and represents our current actual knowledge based on the information they provided. This information is subject to change. The part numbers that TE has identified as EU RoHS compliant have a maximum concentration of 0.1% by weight in homogenous materials for lead, hexavalent chromium, mercury, PBB, PBDE, DBP, BBP, DEHP, DIBP, and 0.01% for cadmium, or qualify for an exemption to these limits as defined in the Annexes of Directive 2011/65/EU (RoHS2). Finished electrical and electronic equipment products will be CE marked as required by Directive 2011/65/EU. Components may not be CE marked. Additionally, the part numbers that TE has identified as EU ELV compliant have a maximum concentration of 0.1% by weight in homogenous materials for lead, hexavalent chromium, and mercury, and 0.01% for cadmium, or qualify for an exemption to these limits as defined in the Annexes of Directive 2000/53/EC (ELV). Regarding the REACH Regulation, the information TE provides on SVHC in articles for this part number is based on the latest European Chemicals Agency (ECHA) 'Guidance on requirements for substances in articles' posted at this URL: <https://echa.europa.eu/guidance-documents/guidance-on-reach>

## Also in the Series | PLASTI-GRIP



Compression Connectors(3)



Crimp Wire Pins, Tabs & Ferrules(25)

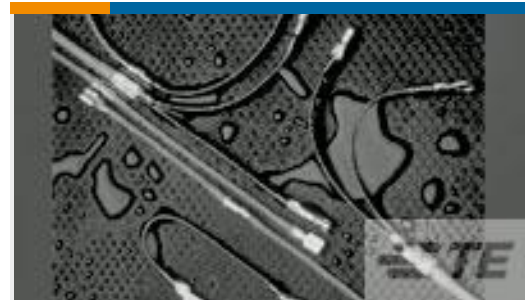


Ring Terminals & Spade Terminals(534)

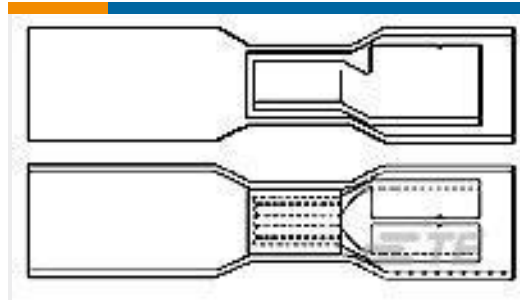


Splices(49)

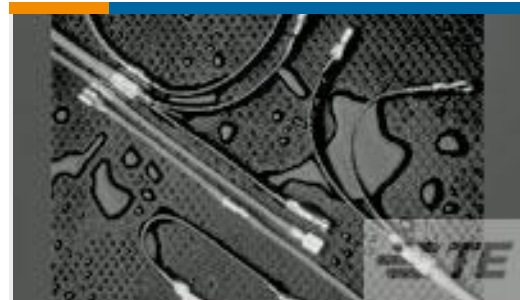
## Customers Also Bought



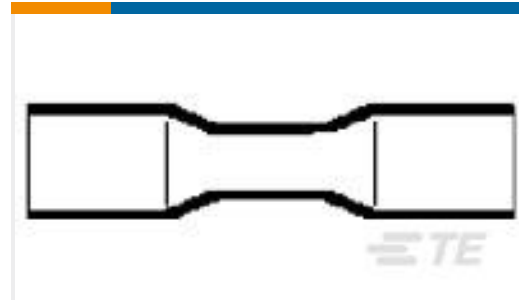
TE Part #CC2648-000  
B-106-1603CS50



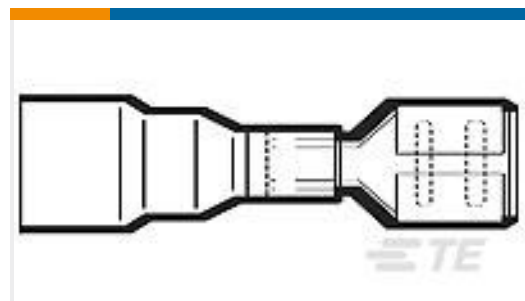
TE Part #CC2644-000  
B-106-8502CS100



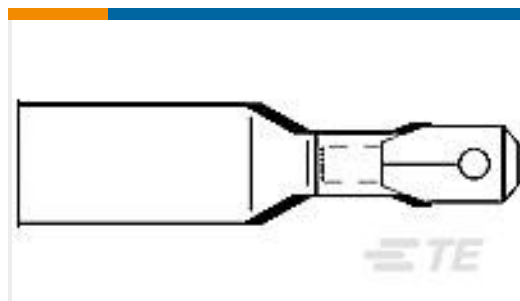
TE Part #CC2623-000  
B-106-1601CS100



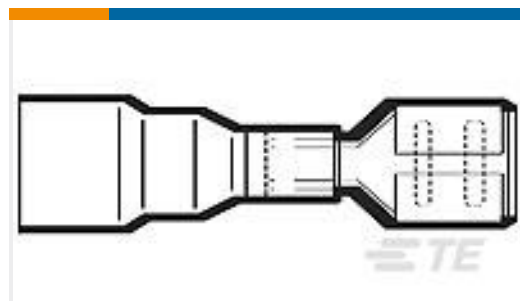
TE Part #CC2645-000  
D-406-0003CS50



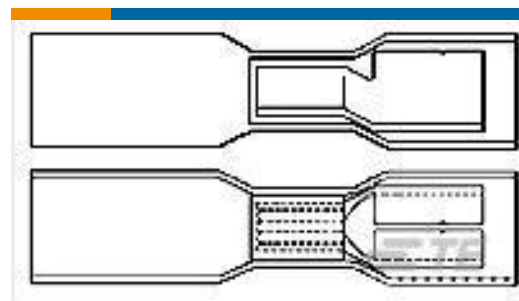
TE Part #CC2641-000  
B-106-3632CS100



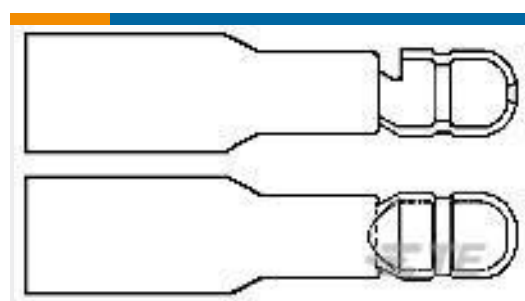
TE Part #CC2642-000  
B-106-4632CS100



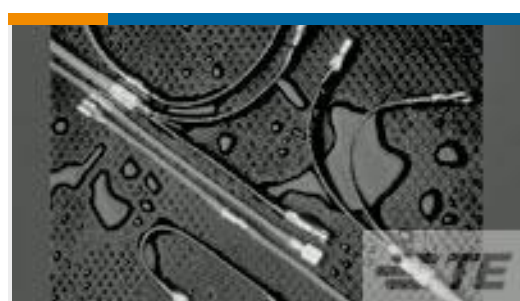
TE Part #CC2628-000  
B-106-3631CS100



TE Part #CC2632-000  
B-106-8401CS100



TE Part #CC2643-000  
B-106-7502CS100



TE Part #CC2637-000  
B-106-1802CS100

## Documents

[Product Specifications](#)

[Application Specification](#)

English