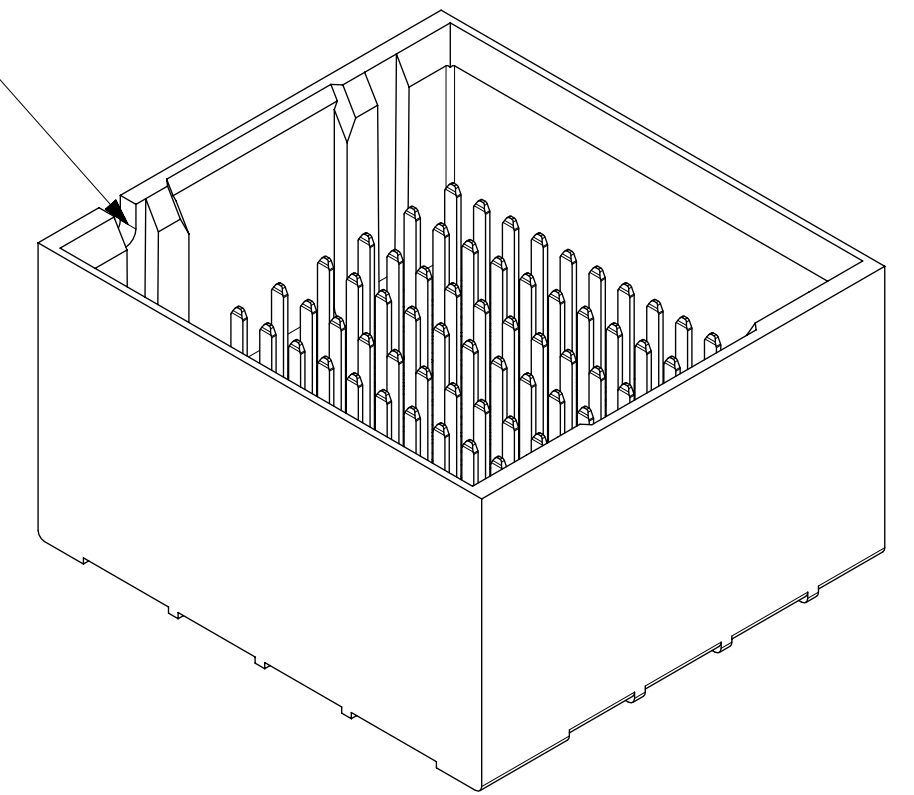


NOTCH DESIGNATES ROW A



(DUAL ENDWALL SHOWN)

NOTES:

- MATERIALS: HOUSING - LIQUID CRYSTAL POLYMER (LCP) GLASS-FILLED, UL94V-0
TERMINALS - HIGH PERFORMANCE COPPER ALLOY
- FINISH: 30μ MIN GOLD IN CONTACT AREA.
SELECTIVE TIN OR TIN-LEAD ON PCB TAILS.
NICKEL OVERALL.
- REFER TO MOLEX PRODUCT SPECIFICATION PS-76060-999 FOR PERFORMANCE SPECIFICATIONS AND ADDITIONAL PCB INFORMATION.
- THIS PART CONFORMS TO CLASS B REQUIREMENTS OF COSMETIC SPEC PS-45499-002.
- PRODUCT IS PACKAGED PER PK-70873-7706.
- SEE SHEETS 2 AND 3 FOR PART NUMBERS AND ORTHOGONAL PIN MAPPING.
- REFER TO MOLEX SALES DRAWING SD-76850-001 FOR THE MATING RECEPTACLES.
- THE KEEP-OUT ZONE FOR THE PART LENGTH INCLUDES AN ADDITIONAL 1.0mm TO ACCOMMODATE FOR SPACE REQUIRED BY THE DAUGHTERCARD ASSEMBLY.
- REFER TO MOLEX ROUTING GUIDE AS-76850-990 FOR ADDITIONAL PCB LAYOUT AND ROUTING RECOMMENDATIONS.
- CONNECTORS ARE SUPPLIED WITH A 2-56 UNC-2A SCREW.
- "THESE DIMENSIONS REPRESENT THE AREA NEEDED TO ACCOMODATE CONNECTOR INSERTION AND REPAIR ON THE PC BOARD. THIS DOES NOT REPRESENT THE ACTUAL PERIMETER OF THE CONNECTOR."

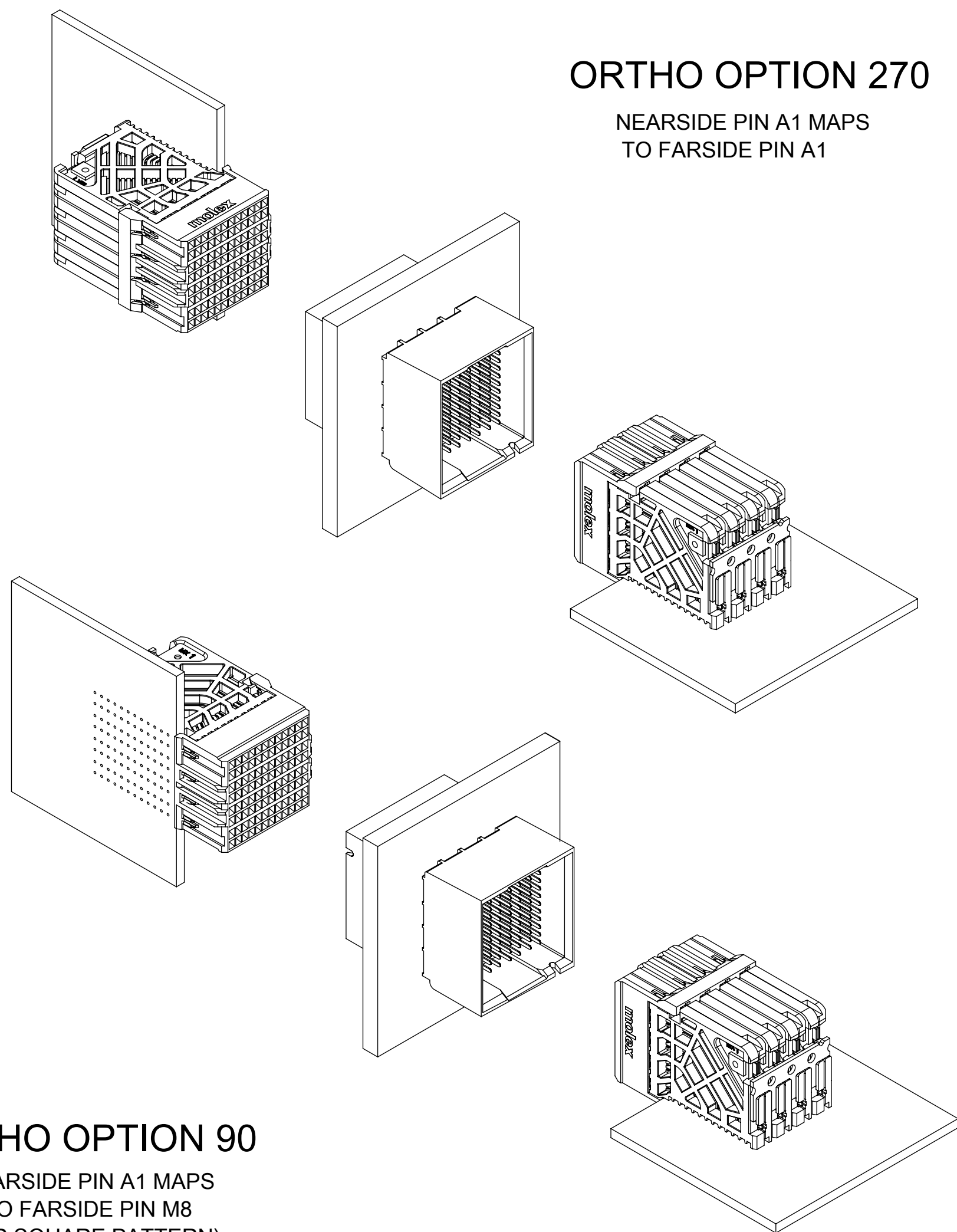
THIS DRAWING CONTAINS INFORMATION THAT IS PROPRIETARY TO MOLEX ELECTRONIC TECHNOLOGIES, LLC AND SHOULD NOT BE USED WITHOUT WRITTEN PERMISSION

DIMENSION UNITS	SCALE	CURRENT REV DESC: CORRECTED REMASTERING DRAWING TYPO & REMOVED TIN/LEAD OPTION MODULE TYPE AT SHT2 2-F6				
mm	NTS					
GENERAL TOLERANCES (UNLESS SPECIFIED)		EC NO: 629583		PRODUCT CUSTOMER DRAWING		
ANGULAR TOL	± 0.5°	DRWN: JSGOH01	2018/06/06	DOCUMENT NUMBER		
4 PLACES	±	CHK'D: STTAN	2021/02/04	SD-76845-001		
3 PLACES	±	APPR: STTAN	2021/02/04	DOC TYPE	DOC PART	REVISION
2 PLACES	± 0.13	INITIAL REVISION:		PSD	001	F2
1 PLACE	± 0.25	DRWN: JLAURX	0005/11/09	MATERIAL NUMBER		
0 PLACES	±	APPR: JBINGHAM	2010/01/14	CUSTOMER		
DRAFT WHERE APPLICABLE MUST REMAIN WITHIN DIMENSIONS		THIRD ANGLE PROJECTION		SEE CHART		SHEET NUMBER
		DRAWING		GENERAL MARKET		1 OF 3
		C-SIZE				
		SERIES				
		76845				

DOCUMENT STATUS	P1	RELEASE DATE	2021/02/04	03:13:18
-----------------	----	--------------	------------	----------

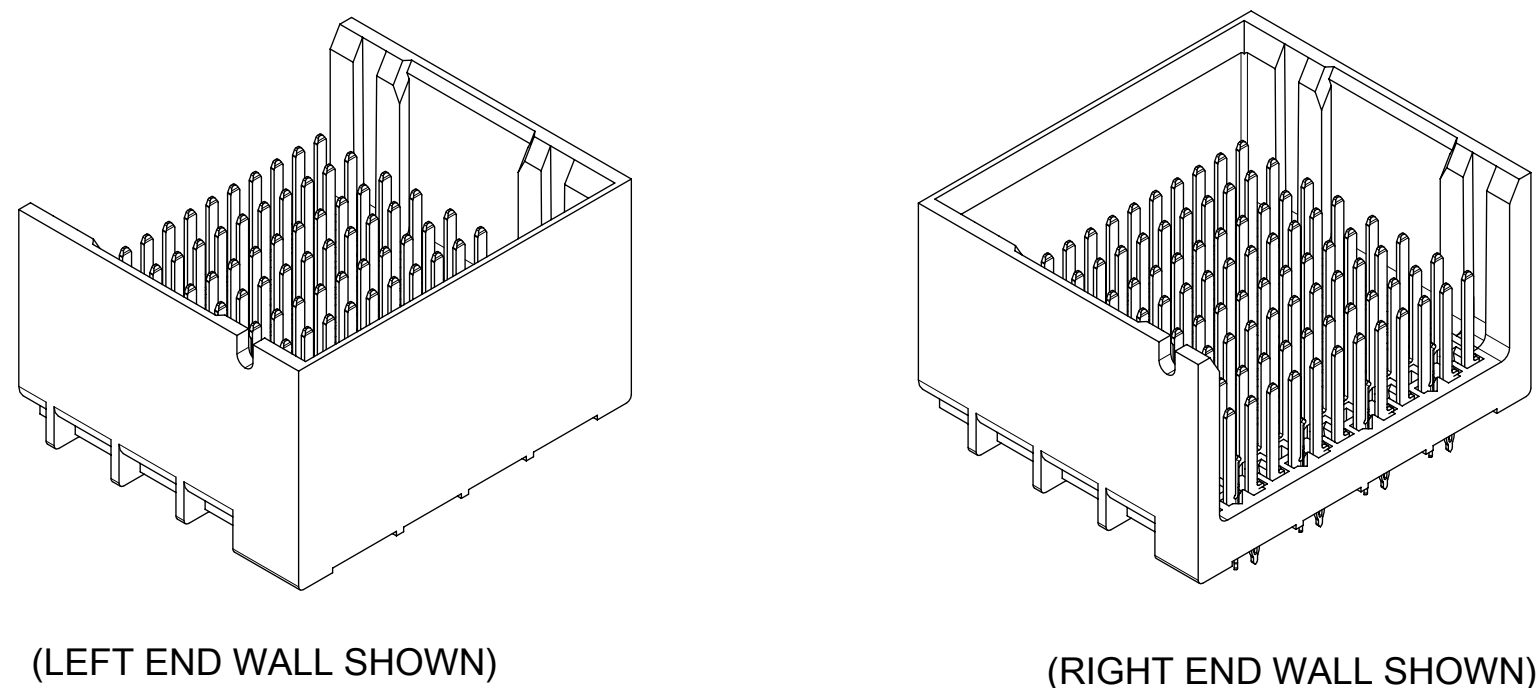
ORTHO OPTION 270

NEAR SIDE PIN A1 MAPS
TO FAR SIDE PIN A1



ORTHO OPTION 90

NEAR SIDE PIN A1 MAPS
TO FAR SIDE PIN M8
(FOR SQUARE PATTERN)



(LEFT END WALL SHOWN)

(RIGHT END WALL SHOWN)

MATERIAL NUMBER	# OF COLUMNS	# OF DIFF PAIR	DIM "A"	DIM "B"	DIM "C"
76845-*60*	6	24	12.0	10.00	10.40
76845-*61*	6	24	13.4	10.00	10.40
76845-*62*	6	24	14.8	10.00	10.40
76845-*63*	6	24	13.4	10.00	10.40
76845-*80*	8	32	16.1	14.05	14.45
76845-*81*	8	32	17.5	14.05	14.45
76845-*82*	8	32	18.9	14.05	14.45
76845-*83*	8	32	17.5	14.05	14.45
76845-*10*	10	40	20.1	18.10	18.50
76845-*11*	10	40	21.5	18.10	18.50
76845-*12*	10	40	22.9	18.10	18.50
76845-*13*	10	40	21.5	18.10	18.50

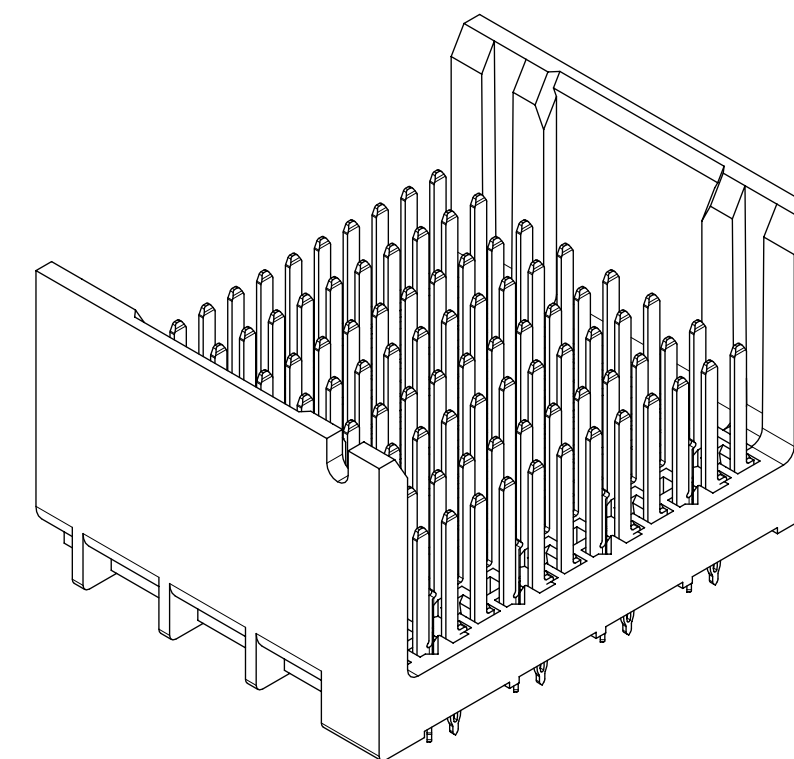
76845-****

MODULE & TAIL PLATING TYPE
1 = UNGUIDED, TIN

PIN LENGTH (P)
4 = 4.90, (0.46 PTH)
5 = 5.50, (0.46 PTH)
7 = 4.90, (0.39 PTH)
8 = 5.50, (0.39 PTH)

OF COLUMNS
6 = 6 COLUMN
8 = 8 COLUMN
1 = 10 COLUMN

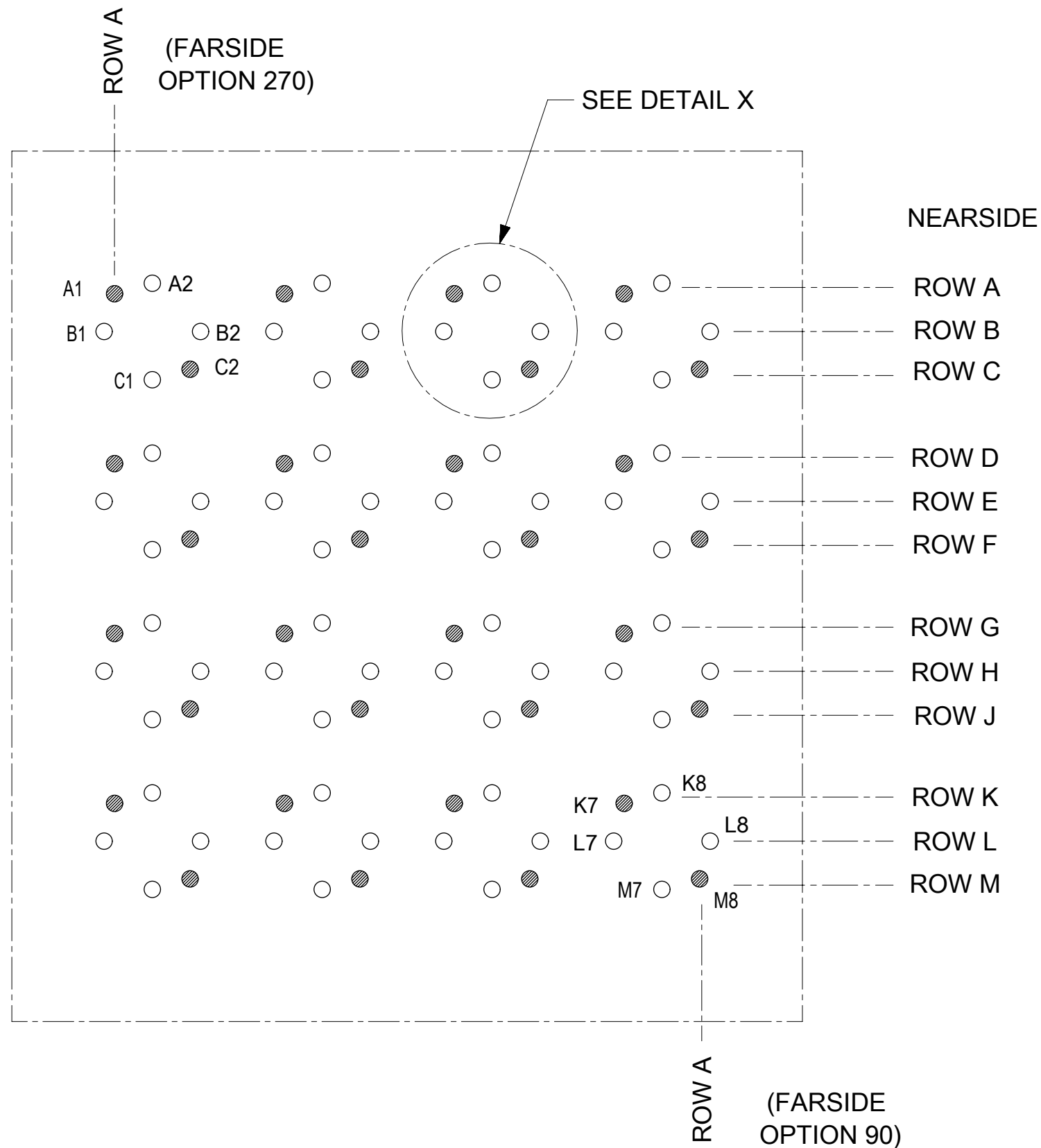
ENDWALL OPTIONS
0 = OPEN ENDS
1 = LEFT ENDWALL
2 = DUAL ENDWALL
3 = RIGHT ENDWALL



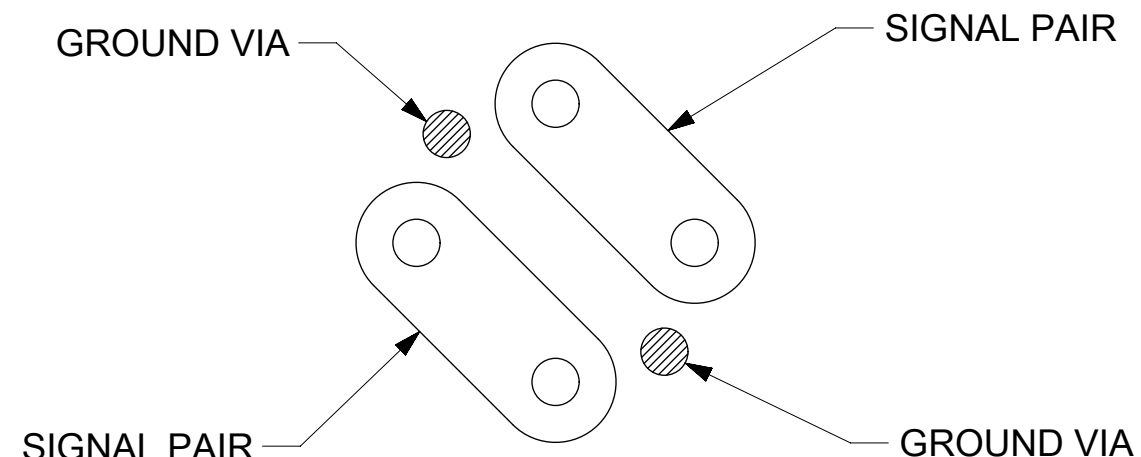
(OPEN END OPTION SHOWN)

THIS DRAWING CONTAINS INFORMATION THAT IS PROPRIETARY TO MOLEX ELECTRONIC TECHNOLOGIES, LLC AND SHOULD NOT BE USED WITHOUT WRITTEN PERMISSION											
DIMENSION UNITS		SCALE		CURRENT REV DESC: CORRECTED REMASTERING DRAWING TYPO & REMOVED TIN/LEAD OPTION MODULE TYPE AT SHT2 2-F6							
mm		NTS									
GENERAL TOLERANCES (UNLESS SPECIFIED)				EC NO: 629583		2018/06/06		IMPACT 4 PAIR HEADER ORTHOGONAL ASSEMBLY UNGUIDED SALES DRAWING			
ANGULAR TOL ± 0.5°				DRWN: JSGOH01		2021/02/04					
4 PLACES ±				CHK'D: STTAN		2021/02/04		PRODUCT CUSTOMER DRAWING			
3 PLACES ±				APPR: STTAN		2021/02/04					
2 PLACES ± 0.13				INITIAL REVISION:				DOCUMENT NUMBER		DOC TYPE DOC PART REVISION	
1 PLACE ± 0.25				DRWN: JLAURX		0005/11/09		SD-76845-001		PSD 001 F2	
0 PLACES ±				APPR: JBINGHAM		2010/01/14		MATERIAL NUMBER		CUSTOMER	
DRAFT WHERE APPLICABLE MUST REMAIN WITHIN DIMENSIONS				THIRD ANGLE PROJECTION		DRAWING		SERIES		SHEET NUMBER	
						C-SIZE		76845		SEE CHART GENERAL MARKET 2 OF 3	

DOCUMENT STATUS	P1	RELEASE DATE	2021/02/04	03:13:18
-----------------	----	--------------	------------	----------



MIDPLANE PCB LAYOUT



DETAIL X
SCALE 16:1

ORTHO PIN MAPPING

OPTION 270 (NEARSIDE - FARSIDE)

A1-A1	A2-B1	A3-D1	A4-E1	A5-G1	A6-H1	A7-K1	A8-L1
B1-A2	B2-C1	B3-D2	B4-F1	B5-G2	B6-J1	B7-K2	B8-M1
C1-B2	C2-C2	C3-E2	C4-F2	C5-H2	C6-J2	C7-L2	C8-M2
D1-A3	D2-B3	D3-D3	D4-E3	D5-G3	D6-H3	D7-K3	D8-L3
E1-A4	E2-C3	E3-D4	E4-F3	E5-G4	E6-J3	E7-K4	E8-M3
F1-B4	F2-C4	F3-E4	F4-F4	F5-H4	F6-J4	F7-L4	F8-M4
G1-A5	G2-B5	G3-D5	G4-E5	G5-G5	G6-H5	G7-K5	G8-L5
H1-A6	H2-C5	H3-D6	H4-F5	H5-G6	H6-J5	H7-K6	H8-M5
J1-B6	J2-C6	J3-E6	J4-F6	J5-H6	J6-J6	J7-L6	J8-M6
K1-A7	K2-B7	K3-D7	K4-E7	K5-G7	K6-H7	K7-K7	K8-L7
L1-A8	L2-C7	L3-D8	L4-F7	L5-G8	L6-J7	L7-K8	L8-M7
M1-B8	M2-C8	M3-E8	M4-F8	M5-H8	M6-J8	M7-L8	M8-M8

ORTHO PIN MAPPING

OPTION 90 (NEARSIDE - FARSIDE)

A1-M8	A2-L8	A3-J8	A4-H8	A5-F8	A6-E8	A7-C8	A8-B8
B1-M7	B2-K8	B3-J7	B4-G8	B5-F7	B6-D8	B7-C7	B8-A8
C1-L7	C2-K7	C3-H7	C4-G7	C5-E7	C6-D7	C7-B7	C8-A7
D1-M6	D2-L6	D3-J6	D4-H6	D5-F6	D6-E6	D7-C6	D8-B6
E1-M5	E2-K6	E3-J5	E4-G6	E5-F5	E6-D6	E7-C5	E8-A6
F1-L5	F2-K5	F3-H5	F4-G5	F5-E5	F6-D5	F7-B5	F8-A5
G1-M4	G2-L4	G3-J4	G4-H4	G5-F4	G6-E4	G7-C4	G8-B4
H1-M3	H2-K4	H3-J3	H4-G4	H5-F3	H6-D4	H7-C3	H8-A4
J1-L3	J2-K3	J3-H3	J4-G3	J5-E3	J6-D3	J7-B3	J8-A3
K1-M2	K2-L2	K3-J2	K4-H2	K5-F2	K6-E2	K7-C2	K8-B2
L1-M1	L2-K2	L3-J1	L4-G2	L5-F1	L6-D2	L7-C1	L8-A2
M1-L1	M2-K1	M3-H1	M4-G1	M5-E1	M6-D1	M7-B1	M8-A1

NOTE: PINOUTS SHOWN IN BALLOONS ARE GROUNDS.
PINOUTS SHOWN ARE FOR SQUARE (8 COLUMN) PATTERN ONLY.

THIS DRAWING CONTAINS INFORMATION THAT IS PROPRIETARY TO MOLEX ELECTRONIC TECHNOLOGIES, LLC AND SHOULD NOT BE USED WITHOUT WRITTEN PERMISSION											
DIMENSION UNITS	SCALE	CURRENT REV DESC: CORRECTED REMASTERING DRAWING TYPO & REMOVED TIN/LEAD OPTION MODULE TYPE AT SHT2 2-F6						molex			
mm	NTS	EC NO: 629583 DRWN: JSGOH01 2018/06/06 CHK'D: STTAN 2021/02/04 APPR: STTAN 2021/02/04						IMPACT 4 PAIR HEADER ORTHOGONAL ASSEMBLY UNGUIDED SALES DRAWING			
GENERAL TOLERANCES (UNLESS SPECIFIED)		INITIAL REVISION: DRWN: JLAURX 0005/11/09 APPR: JBINGHAM 2010/01/14						PRODUCT CUSTOMER DRAWING			
ANGULAR TOL	± 0.5°	DRAFT WHERE APPLICABLE MUST REMAIN WITHIN DIMENSIONS						DOCUMENT NUMBER	DOC TYPE	DOC PART	REVISION
4 PLACES	±	THIRD ANGLE PROJECTION	DRAWING	SERIES	MATERIAL NUMBER	CUSTOMER	SD-76845-001	PSD	001	F2	
3 PLACES	±	C-SIZE	76845	SEE CHART	GENERAL MARKET	SHEET NUMBER	3 OF 3				
2 PLACES	± 0.13										
1 PLACE	± 0.25										
0 PLACES	±										