

MATERIALS AND FINISHES

BODY: BERYLLIUM COPPER
 PLATED GOLD (1μ-in MIN)
 OVER NICKEL PHOSPHOR (80μ-in MIN)
 OVER COPPER (20μ-in MIN)

CONTACT: BERYLLIUM COPPER
 PLATED GOLD (8μ-in MIN)
 OVER NICKEL PHOSPHOR (80μ-in MIN)
 OVER COPPER (20μ-in MIN)

INSULATOR: PTFE

ELECTRICAL CHARACTERISTICS:

NOMINAL IMPEDANCE: 50Ω
FREQUENCY RANGE: DC-10 GHz
VSWR (MAX) / RETURN LOSS (MAX)

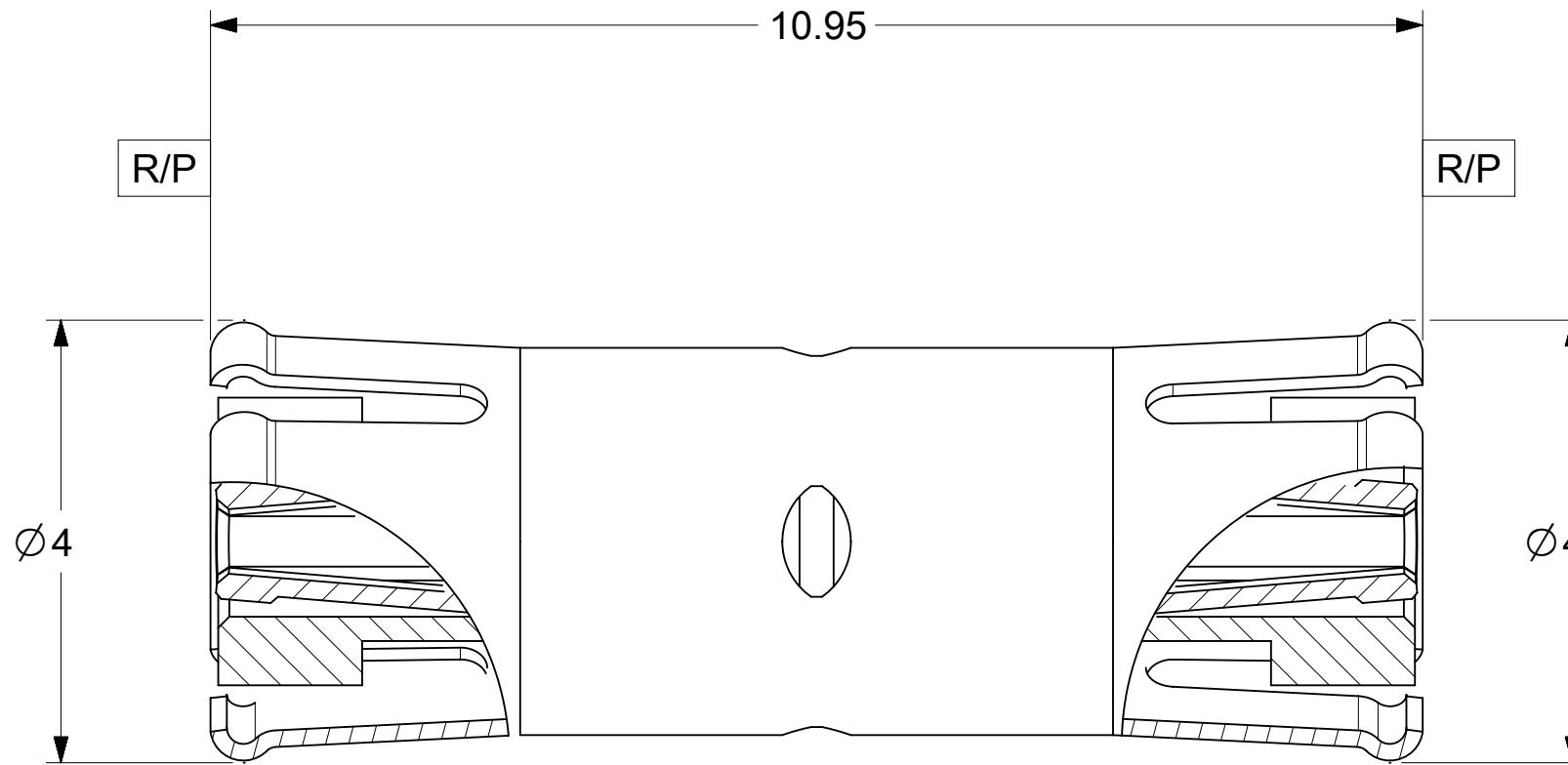
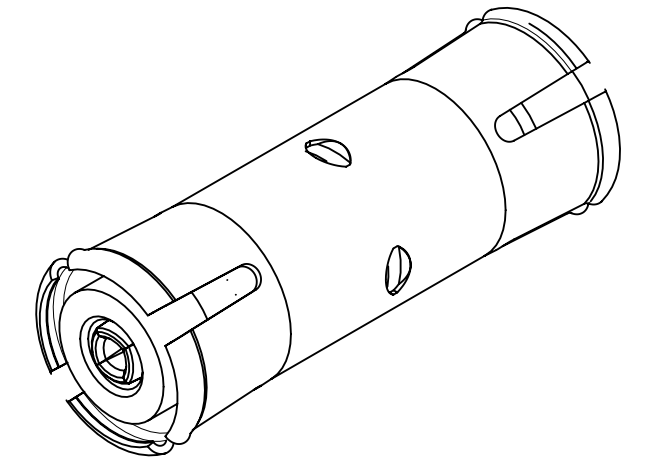
DC - 2 GHz	2 - 4 GHz	4 - 6 GHz
1.07 / -30 dB	1.12 / -27 dB	1.14 / -24 dB

FOR INDIVIDUAL CONNECTOR

INSERTION LOSS: *0.05√F (GHz) dB MAX
 *COAXIAL TRANSMISSION LINE ONLY
VOLTAGE RATING: 330 Vrms AT SEA LEVEL
DIELECTRIC WITHSTANDING VOLTAGE: 1000 Vrms
INSULATION RESISTANCE: 5000 MΩ

OTHERS:

AXIAL WORKING RANGE: 0 ~ 2 mm
 (SHOULD BE WITH SPECIAL RECEPTACLE FOR
 AXIAL MISALIGNMENT 0 ~ 2.4 mm)



73420-6260	TRAY
PART NO.	PACKAGING

PS-89675-3760	ELEC/MECH PERFORMANCE
SPECIFICATION	DESCRIPTION

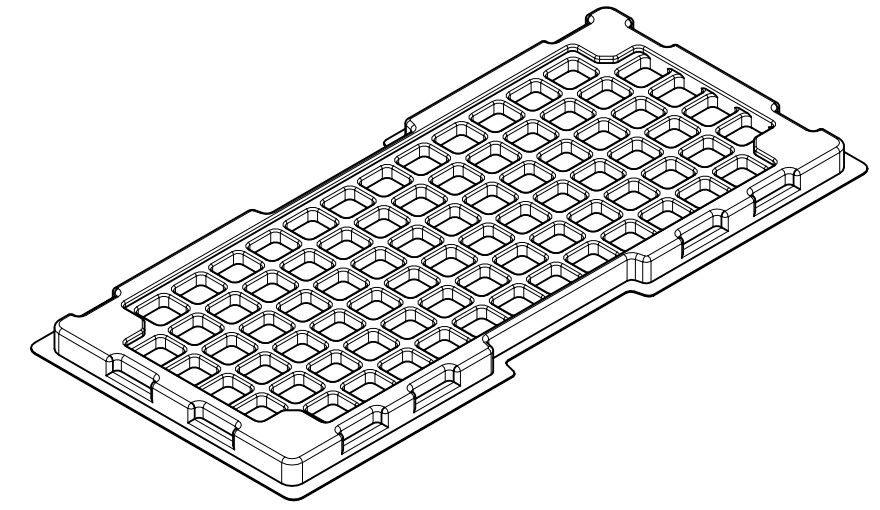
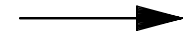
DOCUMENT STATUS	P1	RELEASE DATE	2021/07/02	03:53:53
-----------------	----	--------------	------------	----------

THIS DRAWING CONTAINS INFORMATION THAT IS PROPRIETARY TO MOLEX ELECTRONIC TECHNOLOGIES, LLC AND SHOULD NOT BE USED WITHOUT WRITTEN PERMISSION

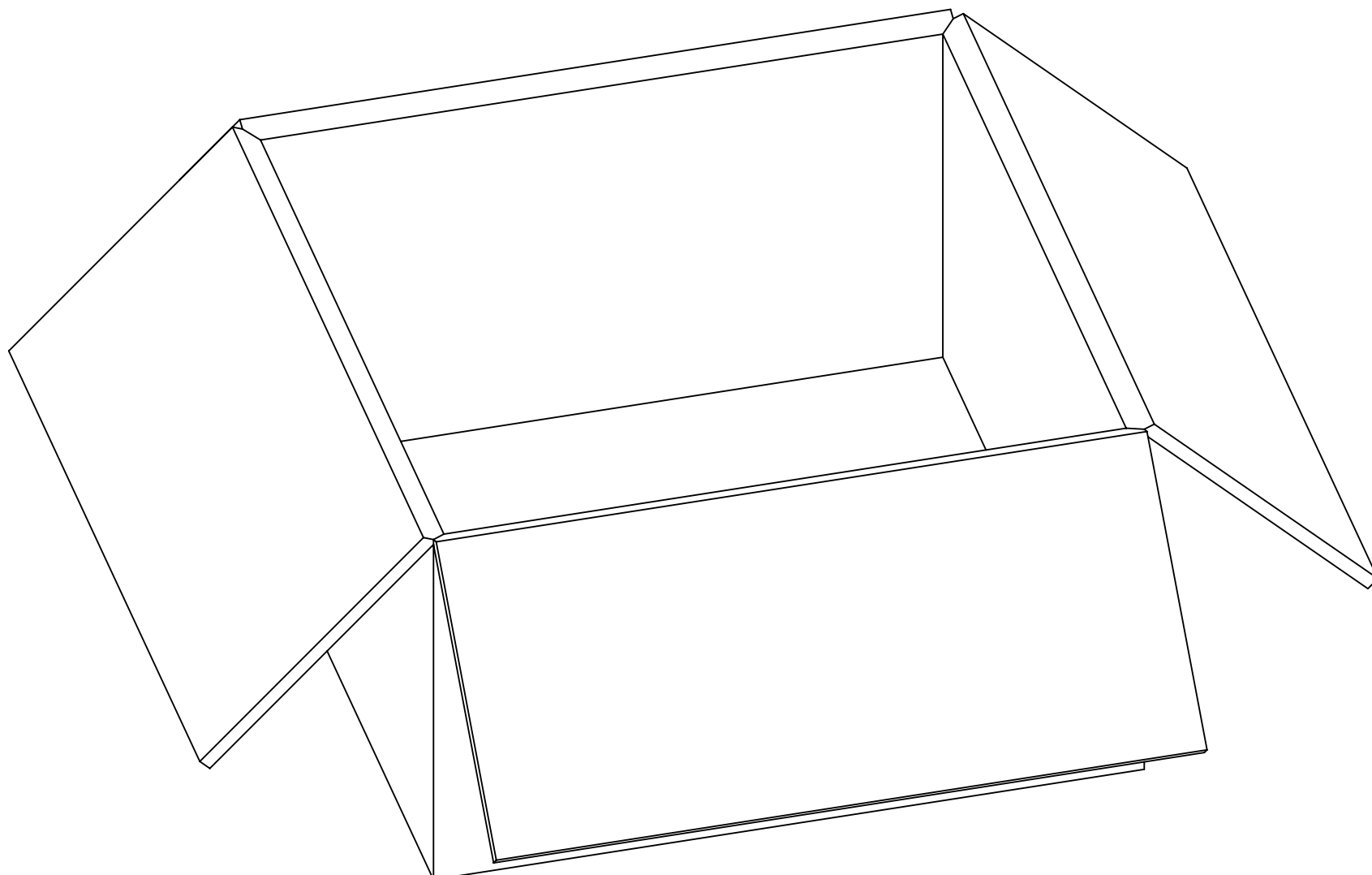
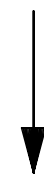
DIMENSION UNITS	SCALE	CURRENT REV DESC: UPDATE DOCUMENT TYPE FROM RSD TO PSD PER EWR #14636-A		molex			
mm	NTS						
GENERAL TOLERANCES (UNLESS SPECIFIED)				SMP-MAX EVO2 J/J BULLET L=10.95 F TO F SYM 4 SLOTS EWR-12429			
ANGULAR TOL	± °			PRODUCT CUSTOMER DRAWING			
4 PLACES	±	EC NO: 668669		DOCUMENT NUMBER			
3 PLACES	±	DRWN: RYEH 2021/06/28		734206260			
2 PLACES	± 0.13	CHK'D: YCHENG 2021/07/02		DOC TYPE			
1 PLACE	± 0.25	APPR: YCHENG 2021/07/02		PSD			
0 PLACES	± 0.38	INITIAL REVISION:		DOC PART			
DRAFT WHERE APPLICABLE MUST REMAIN WITHIN DIMENSIONS		THIRD ANGLE PROJECTION		SERIES		REVISION	
		DRAWING		73420		A2	
		C-SIZE		MATERIAL NUMBER		SHEET NUMBER	
				SEE TABLE		1 OF 2	



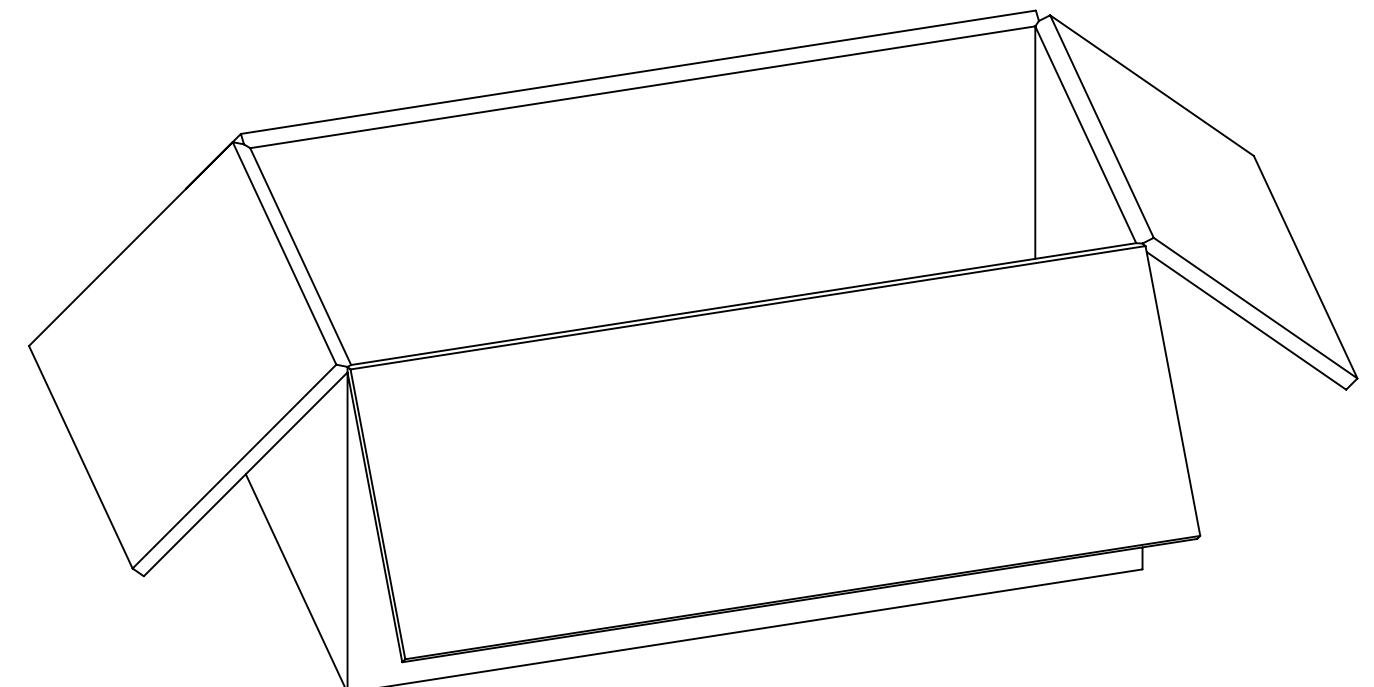
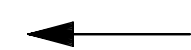
P/N: 73420-6260



80 SETS PER TRAY
P/N: 89707-0190



3200 SETS PER OUTER
CARTON BOX
P/N: 96708-0005



1600 SETS PER INNER
CARTON BOX
P/N: 96707-0001

THIS DRAWING CONTAINS INFORMATION THAT IS PROPRIETARY TO MOLEX ELECTRONIC TECHNOLOGIES, LLC AND SHOULD NOT BE USED WITHOUT WRITTEN PERMISSION										
DIMENSION UNITS		SCALE		CURRENT REV DESC: UPDATE DOCUMENT TYPE FROM RSD TO PSD PER EWR #14636-A				molex		
mm		NTS								
GENERAL TOLERANCES (UNLESS SPECIFIED)				EC NO: 668669 DRWN: RYEH 2021/06/28 CHK'D: YCHENG 2021/07/02 APPR: YCHENG 2021/07/02				SMP-MAX EVO2 J/J BULLET L=10.95 F TO F SYM 4 SLOTS EWR-12429		
ANGULAR TOL ± °								PRODUCT CUSTOMER DRAWING		
4 PLACES ±				INITIAL REVISION:		DOCUMENT NUMBER		DOC TYPE	DOC PART	REVISION
3 PLACES ±				DRWN: RYEH 2018/08/24		734206260		PSD	000	A2
2 PLACES ± 0.13				APPR: YCHENG 2018/09/12		MATERIAL NUMBER		CUSTOMER		SHEET NUMBER
1 PLACE ± 0.25				DRAFT WHERE APPLICABLE MUST REMAIN WITHIN DIMENSIONS		SEE TABLE				2 OF 2
0 PLACES ± 0.38				THIRD ANGLE PROJECTION		DRAWING		SERIES		
						C-SIZE		73420		