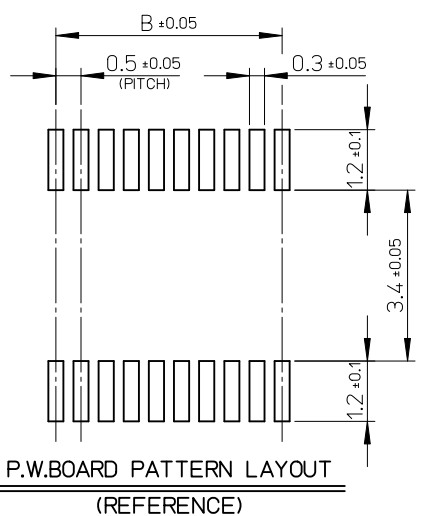
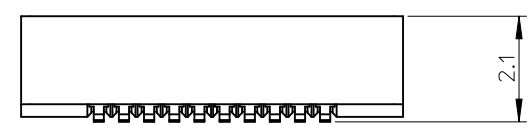
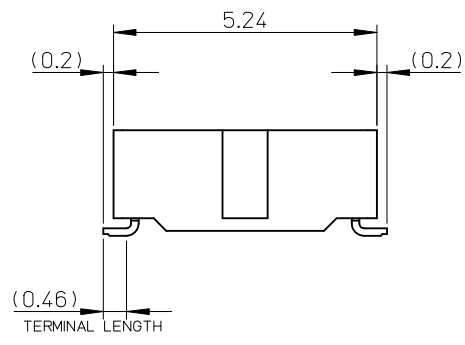
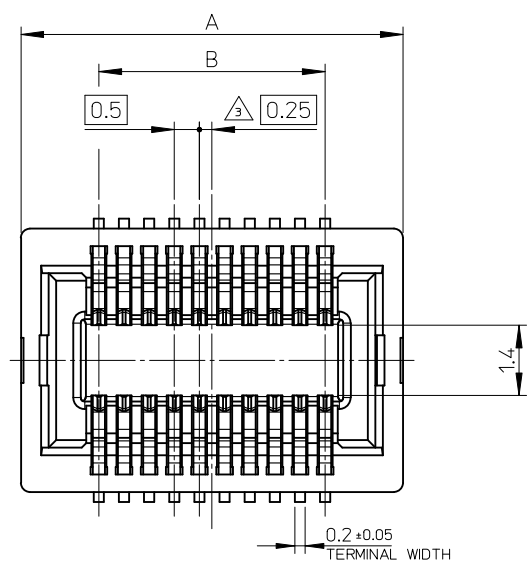


注記 NOTES

1. 使用材料 MATERIAL
 ハウジング：液晶ポリマー(LCP)、ガラス充填、UL94 V-0、黒
 HOUSING : LIQUID CRYSTAL POLYMER (LCP),
 GLASS FILLED, UL94 V-0, BLACK
 ターミナル：リン青銅
 TERMINAL : PHOSPHOR BRONZE
 2. めっき仕様 PLATING
 ターミナル TERMINAL
 コンタクト部：金めっき
 テール部：金めっき
 下地：ニッケルめっき
 *コンタクト部とテール部は、ニッケルメッキによって
 分断された金メッキとなります。
 CONTACT AREA : GOLD PLATING
 SOLDER TAIL AREA : GOLD PLATING
 UNDERPLATE : NICKEL PLATING
 * GOLD PLATING AREA IS DIVIDED INTO
 CONTACT AREA AND SOLDER TAIL AREA
 BY NICKEL PLATING.
- △ (全極数/2) = 偶数の場合に適用。
 APPLY ONLY WHEN ONE-HALF OF
 THE NUMBER OF CIRCUITS IS EVEN NUMBER.
4. 嵌合相手：503839, 503842 シリーズ
 MATE WITH : 503839, 503842 SERIES
 5. テール平坦度は、0.1MAX.
 TAIL COPLANARITY TO BE 0.1 MAXIMUM.
 6. ELV及びRoHS適合品
 ELV AND ROHS COMPLIANT.

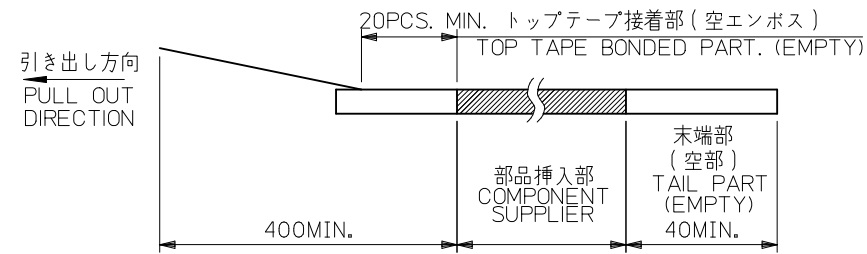
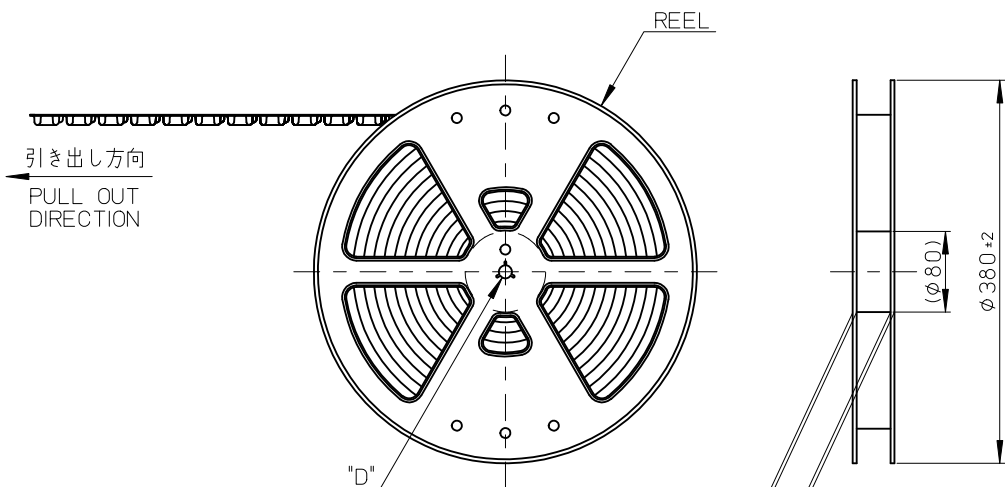


| | | | |
|-----|-----|--------------|---------|
| 5.5 | 8.6 | 503836-2410 | 24 |
| 4.5 | 7.6 | 503836-2010 | 20 |
| 4.0 | 7.1 | 503836-1810 | 18 |
| B | A | MATERIAL NO. | CIRCUIT |

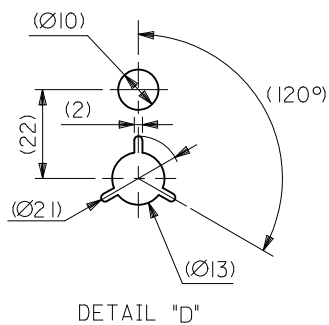
| | | | | | | | |
|---|---------------------------------------|---------------------------|----------------------------|---|--|------------------------|------------------------|
| RELEASED EC NO: J2012-1383 DRW: MTAKAHASHI 2012/05/14 CHK: RTAKEUCHI 2012/05/14 APPR: MSASAO 2012/05/14 | GENERAL TOLERANCES (UNLESS SPECIFIED) | | DIMENSION STYLE MM ONLY | | SCALE 10:1 | DESIGN UNITS METRIC | THIRD ANGLE PROJECTION |
| | 10 UNDER | ±0.2 | DRAWN BY MTAKAHASHI 03 | DATE 2012/05/14 | 0.5 BB CONN. H=2.5/3.0 REC ASSY molex DOCUMENT NO. SD-503836-001 SHEET NO. 1 OF 1 | | |
| | 10 OVER 30 UNDER | ±0.25 | CHECKED BY RTAKEUCHI | DATE 2012/05/14 | | | |
| | 30 OVER | ±0.3 | APPROVED BY MSASAO | DATE 2012/05/14 | | | |
| ANGULAR ±1 ° | | MATERIAL NO. SEE CHART | | | | | |
| DRAFT WHERE APPLICABLE MUST REMAIN WITHIN DIMENSIONS | | SIZE A3 | | THIS DRAWING CONTAINS INFORMATION THAT IS PROPRIETARY TO MOLEX INCORPORATED AND SHOULD NOT BE USED WITHOUT WRITTEN PERMISSION | | | |

注記 NOTES

- 製品詳細寸法については製品単体図面を参照下さい。
RE DETAILED DIMENSION, SEE PRODUCT DRAWING.
- 梱包数量: 2500 個/リール
NUMBER OF CONNECTORS : 2500PCS/REEL
- リードテープ長さ LEAD TAPE LENGTH



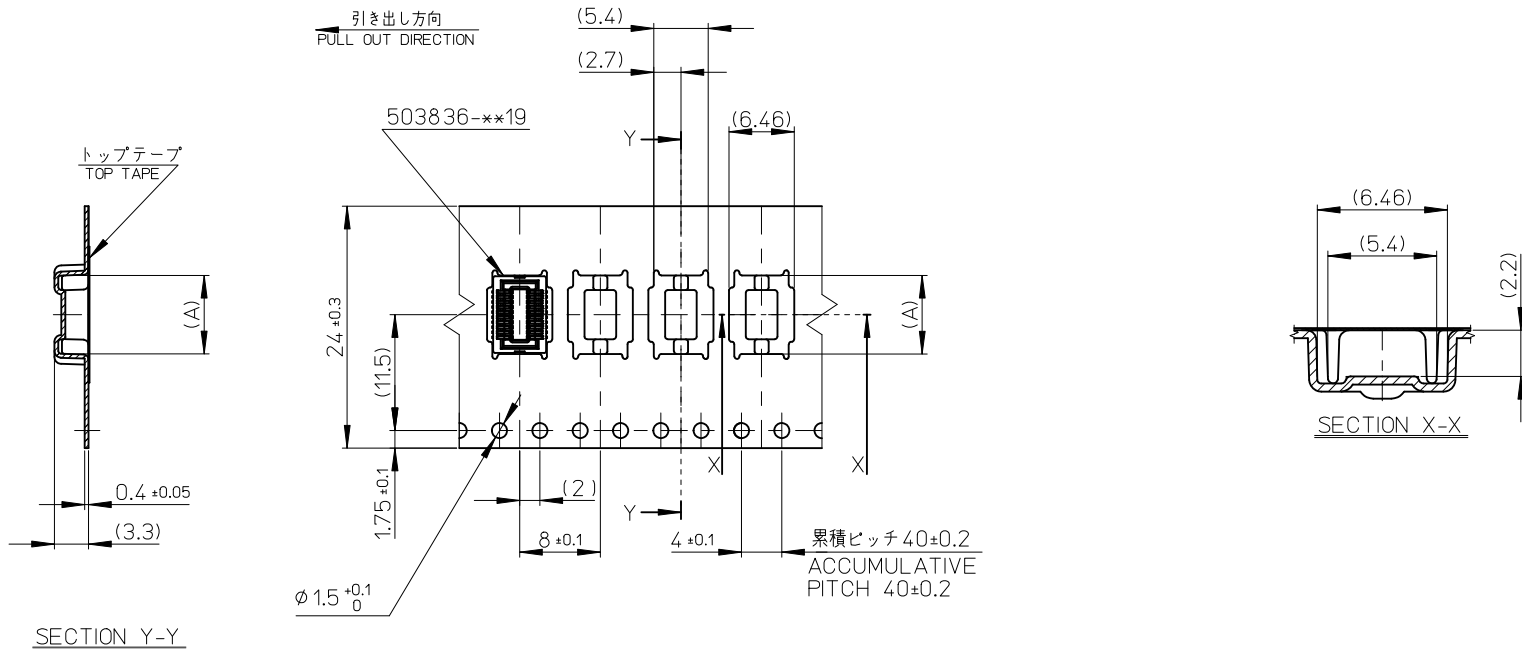
- 材料 MATERIAL
キャリアテープ (CARRIER TAPE): ポリスチレン (POLYSTYRENE)
トップテープ (TOP TAPE): PET, OTHER
リール (REEL): ポリスチレン (PS) <リサイクル材を含む>
POLYSTYRENE (PS) <RECYCLE MATERIAL CONTAINED>
- ELV 及び RoHS適合品
ELV AND RoHS COMPLIANT



DETAIL "D"

MODEL NO. 503836-**10

| | | | | | | |
|--|---------------------------------------|---------------------------|---|-------------------------------|--|------------------------|
| RELEASED EC NO.: J2012-1387 DRWN: MTAKAHASHI 03 2012/05/14 CHK'D: RTAKEUCHI 2012/05/15 APPR: MSASAO 2012/05/16 | GENERAL TOLERANCES (UNLESS SPECIFIED) | | DIMENSION STYLE MM ONLY | SCALE --- | DESIGN UNITS METRIC | THIRD ANGLE PROJECTION |
| | 10 UNDER | ±--- | DRAWN BY MTAKAHASHI 03 | DATE 2012/05/14 | TITLE 0.5 BB CONN. H=2.5/3.0 REC ASSY EMBSTP PKG | |
| | 10 OVER 30 UNDER | ±--- | CHECKED BY RTAKEUCHI | DATE 2012/05/15 | | |
| | 30 OVER | ±--- | APPROVED BY MSASAO | DATE 2012/05/16 | | |
| ANGULAR | ±---° | MATERIAL NO. SEE TABLE | | DOCUMENT NO. SD-503836-002 | SHEET NO. 1 OF 2 | |
| DRAFT WHERE APPLICABLE MUST REMAIN WITHIN DIMENSIONS | | SIZE A3 | THIS DRAWING CONTAINS INFORMATION THAT IS PROPRIETARY TO MOLEX INCORPORATED AND SHOULD NOT BE USED WITHOUT WRITTEN PERMISSION | | | |



24mm 幅キャリアテープ
24mm WIDTH CARRIER TAPE

| | | | | | |
|--------------------------------|------|------|--------------|-------------|-------------|
| 24 | 29.4 | 25.4 | 8.8 | 503836-2410 | 24 |
| | | | 7.8 | 503836-2010 | 20 |
| | | | 7.3 | 503836-1810 | 18 |
| キャリアテープ幅 CARRIER TAPE WIDTH | | | C | B | (A) |
| | | | MATERIAL No. | | CKT. |
| | | | MODEL No. | | 503836-**10 |

| | | | | | | | |
|--|---|--|--|--|------------------------|---------------------------|--|
| RELEASED EC NO.: J2012-1387 DRWN: MTAKAHASHI 03 2012/05/15 CH'KD: RTAKEUCHI 2012/05/15 APPR: MSASAO 2012/05/16 REV: 0 | DESCRIPTION GENERAL TOLERANCES (UNLESS SPECIFIED) 10 UNDER ± --- 10 OVER 30 UNDER ± --- 30 OVER ± --- ANGULAR ± --- ° DRAFT WHERE APPLICABLE MUST REMAIN WITHIN DIMENSIONS | DIMENSION STYLE MM ONLY | | SCALE --- | DESIGN UNITS METRIC | THIRD ANGLE PROJECTION | |
| | | DRAWN BY DATE MTAKAHASHI 03 2012/05/15 | | TITLE 0.5 BB CONN. H=2.5/3.0 REC ASSY EMBSTP PKG | | | |
| | | CHECKED BY DATE RTAKEUCHI 2012/05/15 | | APPROVED BY DATE MSASAO 2012/05/16 | | | |
| | | MATERIAL NO. SEE TABLE | | DOCUMENT NO. SD-503836-002 | | SHEET NO. 2 OF 2 | |
| | | THIS DRAWING CONTAINS INFORMATION THAT IS PROPRIETARY TO MOLEX INCORPORATED AND SHOULD NOT BE USED WITHOUT WRITTEN PERMISSION | | | | | |