



GlobalTech Display

A Professional LCD Displays Provider

TFT LCD Display Specification

PN: GLT050800480IS1-CTP

Overview:

- 5.0" Diagonal
- IPS, Full View Angle
- Driver: ST7262
- 16.7M Colors
- 900 Nits
- 800 x 480 Pixels
- Transmissive/Normally Black
- 24-bit RGB
- Capacitive Touch Panel
- RoHS Compliant

9825 Widmer Road, Lenexa, KS 66215, USA | Tel: 913-828-5685 Fax: 913-273-4397

Email: sales@gtdisplays.com Website: www.gtdisplays.com

Table of Contents

| | |
|---|----|
| 1. Record of Revision..... | 2 |
| 2. General Specifications..... | 3 |
| 3. Input / Output Terminals..... | 4 |
| 4. Absolute Maximum Rating..... | 5 |
| 5. Electrical Characteristics..... | 5 |
| 6. Interface Timing..... | 8 |
| 7. Optical Characteristics..... | 15 |
| 8. Environmental / Reliability Tests..... | 18 |
| 9. Mechanical Drawing..... | 20 |
| 10. Packing..... | 21 |
| 11. TFT-LCD Module Inspection Criteria..... | 22 |
| 12. Precautions for Use of LCD modules..... | 26 |

2. General Specifications

| | Feature | Spec |
|-----------------|----------------------|---------------------------------|
| Characteristics | Size | 5 inch |
| | Resolution | 800(Horizontal) x 480(Vertical) |
| | Interface | 24-bit RGB |
| | Connect type | Connector |
| | Display Colors | 16.7M |
| | Technology type | a-Si |
| | Pixel pitch (mm) | 0.135 x 0.135 |
| | Pixel Configuration | R.G.B.-Stripe |
| | Display Mode | Normally Black |
| | LCD Driver IC | ST7262 |
| | CTP Driver IC | GT911 |
| | Viewing Direction | Full view |
| Mechanical | LCM (W x H x D) (mm) | 120.70 x 76.30 x 4.92 |
| | Active Area(mm) | 108.00 x 64.80 |
| | With /Without TSP | With CTP |
| | Weight (g) | ~90g |
| | LED Numbers | 14 LEDs |

Note 1: Requirements on Environmental Protection: RoHs

Note 2: LCM weight tolerance: +/- 5%

3. Input / Output Terminals

LCD PIN-MAP

| No. | Symbol | Description |
|-------|--------|--|
| 1 | VLED- | Backlight LED Cathode |
| 2 | VLED+ | Backlight LED Anode. |
| 3 | GND | Ground |
| 4 | VDD | Power supply |
| 5~12 | R0~R7 | Data bus |
| 13~20 | G0~G7 | Data bus |
| 21~28 | B0~B7 | Data bus |
| 29 | GND | Ground |
| 30 | DCLK | Dot clock signal input. Latching input data at its rising edge. |
| 31 | DISP | Standby mode. Normally pulled high. DISP="1": Normally operation (Default) DISP="0": Timing controller, source driver will turn off, all output are High-Z. |
| 32 | HSYNC | Horizontal sync input. Negative polarity. |
| 33 | VSYNC | Vertical sync input. Negative polarity.. |
| 34 | DE | Data enable input. Active high to enable the input data bus under "DE Mode." |
| 35 | NC | No connect |
| 36 | GND | System Ground |
| 37 | XR(NC) | No connect |
| 38 | YD(NC) | No connect |
| 39 | XL(NC) | No connect |
| 40 | YU(NC) | No connect |

CTP PIN-MAP

| Pin | Signal | Description |
|-----|--------|-------------------------------|
| 1 | VSS | Ground |
| 2 | VDD | Power supply |
| 3 | SCL | I2C clock input |
| 4 | VSS | Ground |
| 5 | SDA | I2C data input and output |
| 6 | VSS | Ground |
| 7 | /RST | Reset Pin for CTP |
| 8 | WAKE | Wakeup request from the host |
| 9 | /INT | Interrupt request to the host |
| 10 | VSS | Ground |

4. Absolute Maximum Rating

| Item | Symbol | MIN | Typ | MAX | Unit | Remark |
|-----------------------|--------|------|-----|------|------|--------|
| Supply Voltage | VDD | -0.5 | - | 3.96 | V | - |
| Operating Temperature | TOPR | -20 | - | 70 | °C | - |
| Storage Temperature | TSTG | -30 | - | 80 | °C | |

5. Electrical Characteristics

5.1 Driving TFT LCD Panel

| Item | Symbol | Min. | Typ. | Max. | Unit | Conditions |
|----------------------------|--------|------|------|------|------|------------|
| Supply Voltage | VDD | 3.3 | - | 3.6 | V | |
| IO Supply Voltage | VDDI | 3.3 | - | 3.6 | V | |
| Charge Pump Supply Voltage | PVDD | 3.3 | - | 3.6 | V | |

| Item | Symbol | Min. | Typ. | Max. | Unit | Conditions |
|---------------------------|--------|----------|------|----------|------|------------|
| Logic-High Input Voltage | Vih | 0.7VDDI | - | VDDI | V | |
| Logic-Low Input Voltage | Vil | DGND | - | 0.3VDDI | V | |
| Logic-High Output Voltage | Voh | VDDI-0.4 | - | VDDI | V | |
| Logic-Low Output Voltage | Vol | DGND | - | DGND+0.4 | V | |

5.2 CTP Electrical Characteristics

| FPC Design | Item | Description | Remark |
|------------|-------------------------|-----------------|--------|
| COF | IC solution on TP Model | GT911 | |
| | Display Resolution | 800*480 | |
| | Interface Type | I2C | |
| | I2C Slave Address | 0X28 | |
| | Origin of Coordinate | Top left corner | |

5.3 LED Driving Conditions

| Item | Symbol | MIN | TYP | MAX | Unit | Remark |
|-----------------------------|----------|------|-------|------|------|--------|
| Forward Current | I_F | - | 140 | - | mA | |
| Forward Voltage | V_F | 10.8 | 12.0 | 13.2 | V | |
| Backlight Power consumption | W_{BL} | - | 1.68 | - | W | |
| LED Lifetime | | - | 30000 | - | Hr | |

Note 1: Each LED: $I_F = 20 \text{ mA}$, $V_F = 6.0 \pm 0.6 \text{ V}$.

Note 2: Optical performance should be evaluated at $T_a = 25^\circ\text{C}$ only.

Note 3: If LED is driven by high current, high ambient temperature & humidity condition. The life Time of LED will be reduced. Operating life means brightness goes down to 50% initial brightness. Typical operating life time is estimated data.

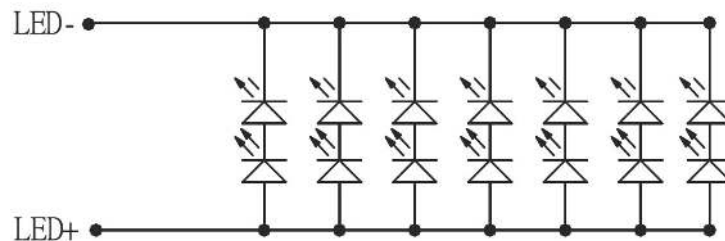
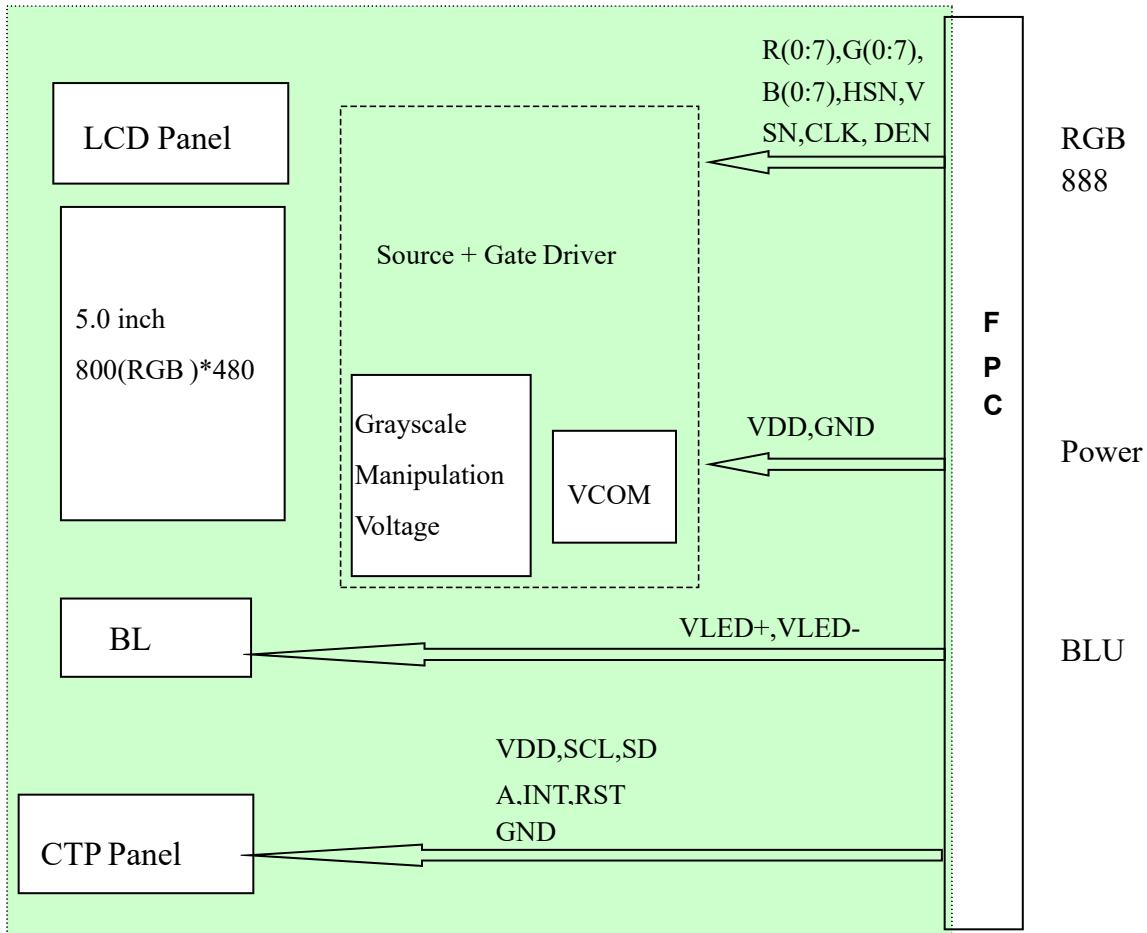


Figure: LED connection of backlight (Constant Current)

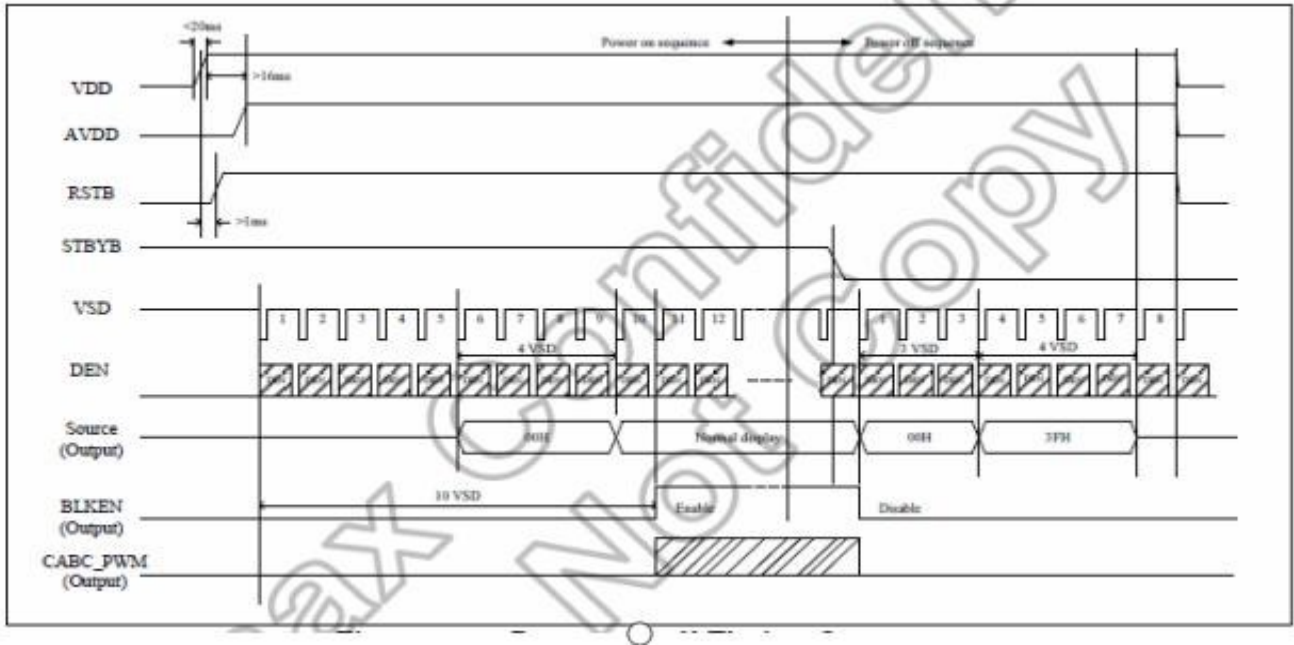
5.4 Block Diagram



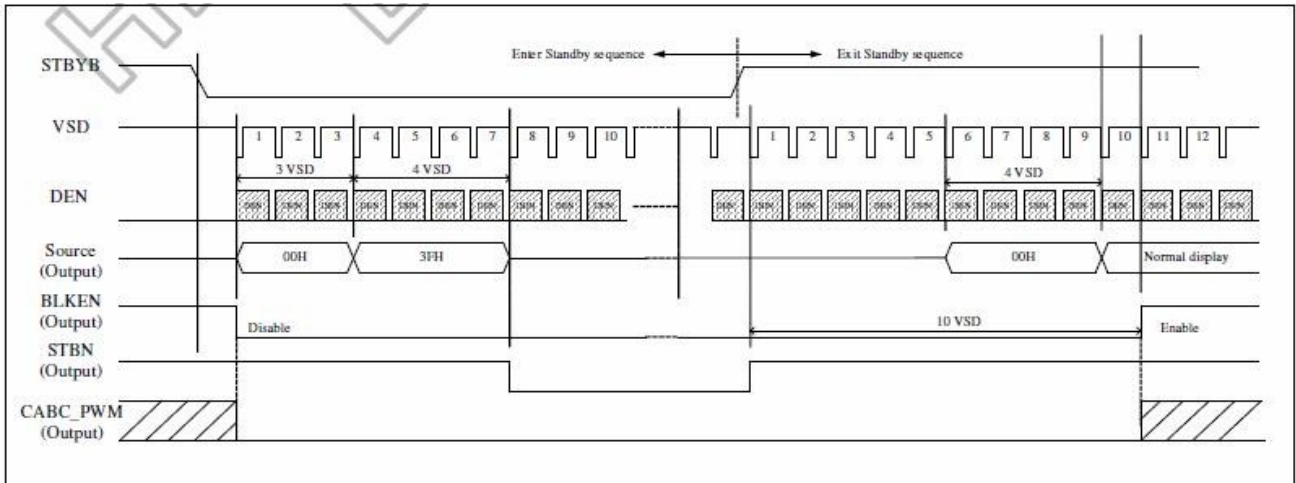
6. Interface Timing

6.1 Power Sequence

Power on/off control:



Enter and exit standby mode sequence:



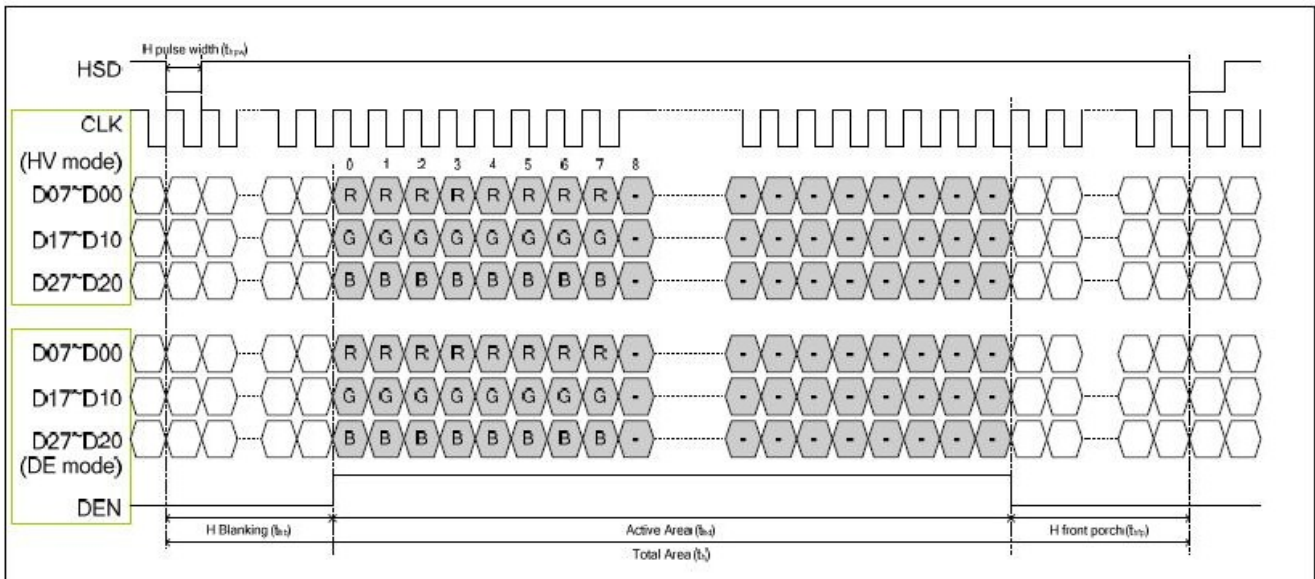
6.2 AC Characteristics

6.2.1 AC electrical characteristics

| Item | Symbol | Min. | Typ. | Max. | Unit | Conditions |
|------------------|--------------------|------|------|------|------|------------|
| CLK Pulse Duty | T _{cw} | 40 | 50 | 60 | % | |
| HSYNC Width | T _{hw} | 2 | - | - | DCLK | |
| HSYNC Period | T _h | 55 | 60 | 65 | us | |
| VSYNC Setup Time | T _{vst} | 12 | - | - | ns | |
| VSYNC Hold Time | T _{vhd} | 12 | - | - | ns | |
| HSYNC Setup Time | T _{hst} | 12 | - | - | ns | |
| HSYNC Hold Time | T _{hhd} | 12 | - | - | ns | |
| Data Setup Time | T _{dsu} | 12 | - | - | ns | |
| Data Hold Time | T _{dhd} | 12 | - | - | ns | |
| DE Setup Time | T _{dest} | 12 | - | - | ns | |
| DE Hold Time | T _{d ehd} | 12 | - | - | ns | |

6.2.2 Data input format

- Horizontal timing



6.3 Waveform

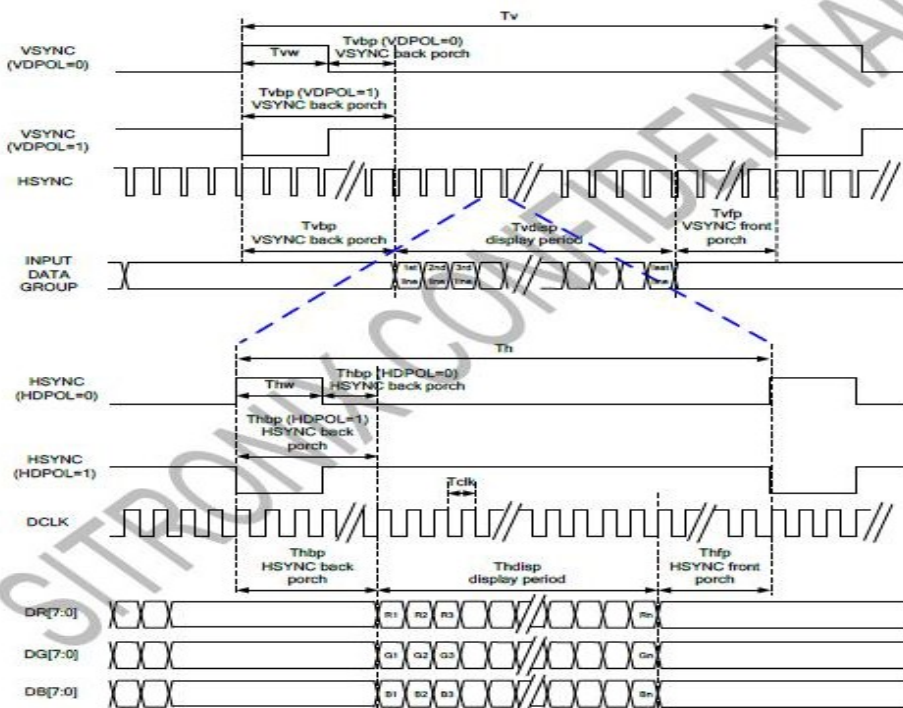
6.3.1 Timing waveform table

Parallel 24-bit RGB Input Timing (PVDD=VDD=VDDI= 3.3V, AGND= 0V, TA=25°C)

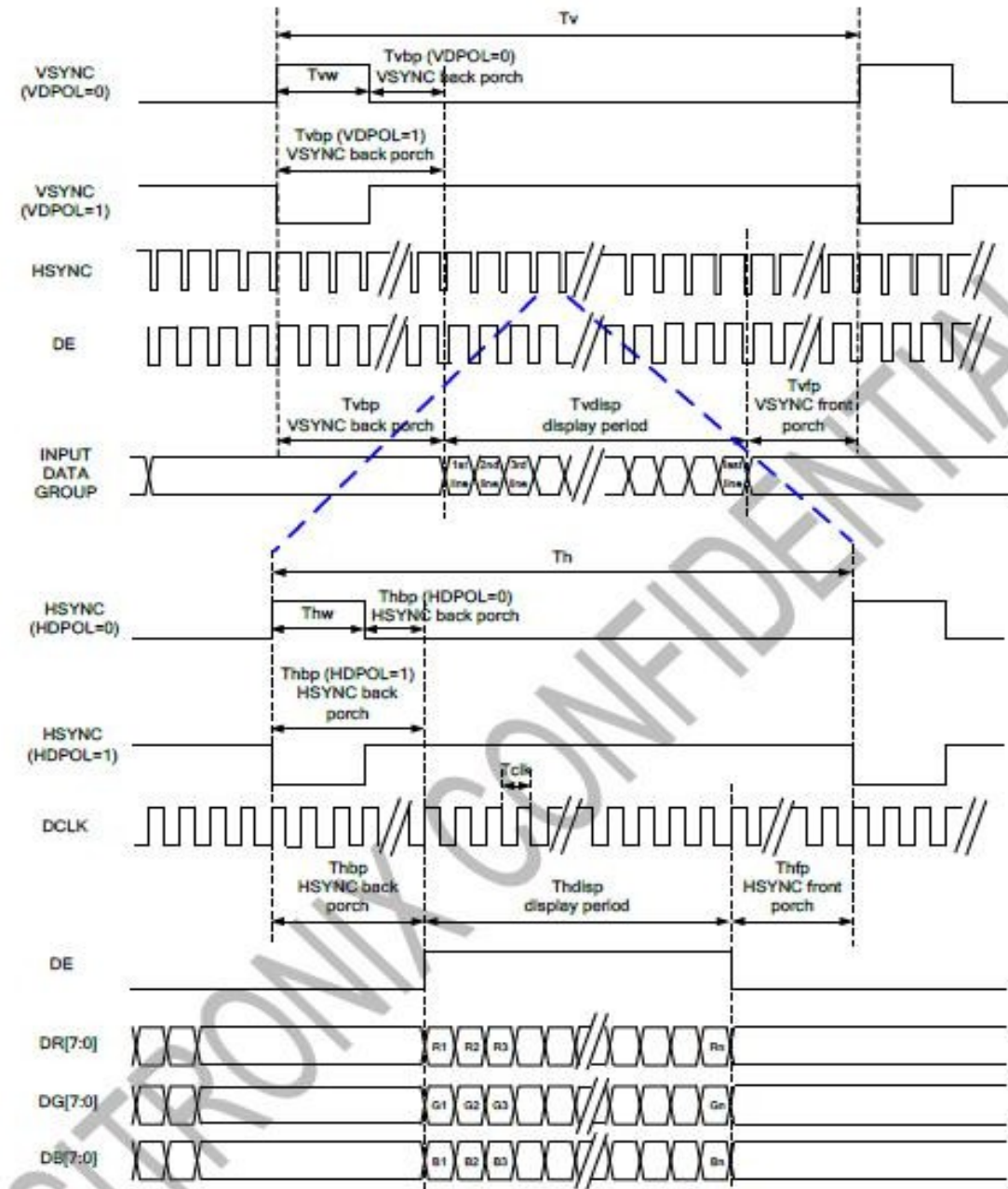
| Parallel 24-bit RGB Interface Timing Table | | | | | | | |
|--|----------------|--------|------|------|------|--------|--|
| Item | Symbol | Min. | Typ. | Max. | Unit | Remark | |
| DCLK Frequency | Fclk | 23 | 25 | 27 | MHz | | |
| HSYNC | Period Time | Th | 808 | 816 | 896 | DCLK | |
| | Display Period | Thdisp | 800 | | | DCLK | |
| | Back Porch | Thbp | 4 | 8 | 48 | DCLK | |
| | Front Porch | Thfp | 4 | 8 | 48 | DCLK | |
| | Pulse Width | Thw | 2 | 4 | 8 | DCLK | |
| VSYNC | Period Time | Tv | 488 | 496 | 504 | HSYNC | |
| | Display Period | Tvdisp | 480 | | | HSYNC | |
| | Back Porch | Tvbp | 4 | 8 | 12 | HSYNC | |
| | Front Porch | Tvfp | 4 | 8 | 12 | HSYNC | |
| | Pulse Width | Tvw | 2 | 4 | 8 | HSYNC | |

6.3.2 Timing diagram

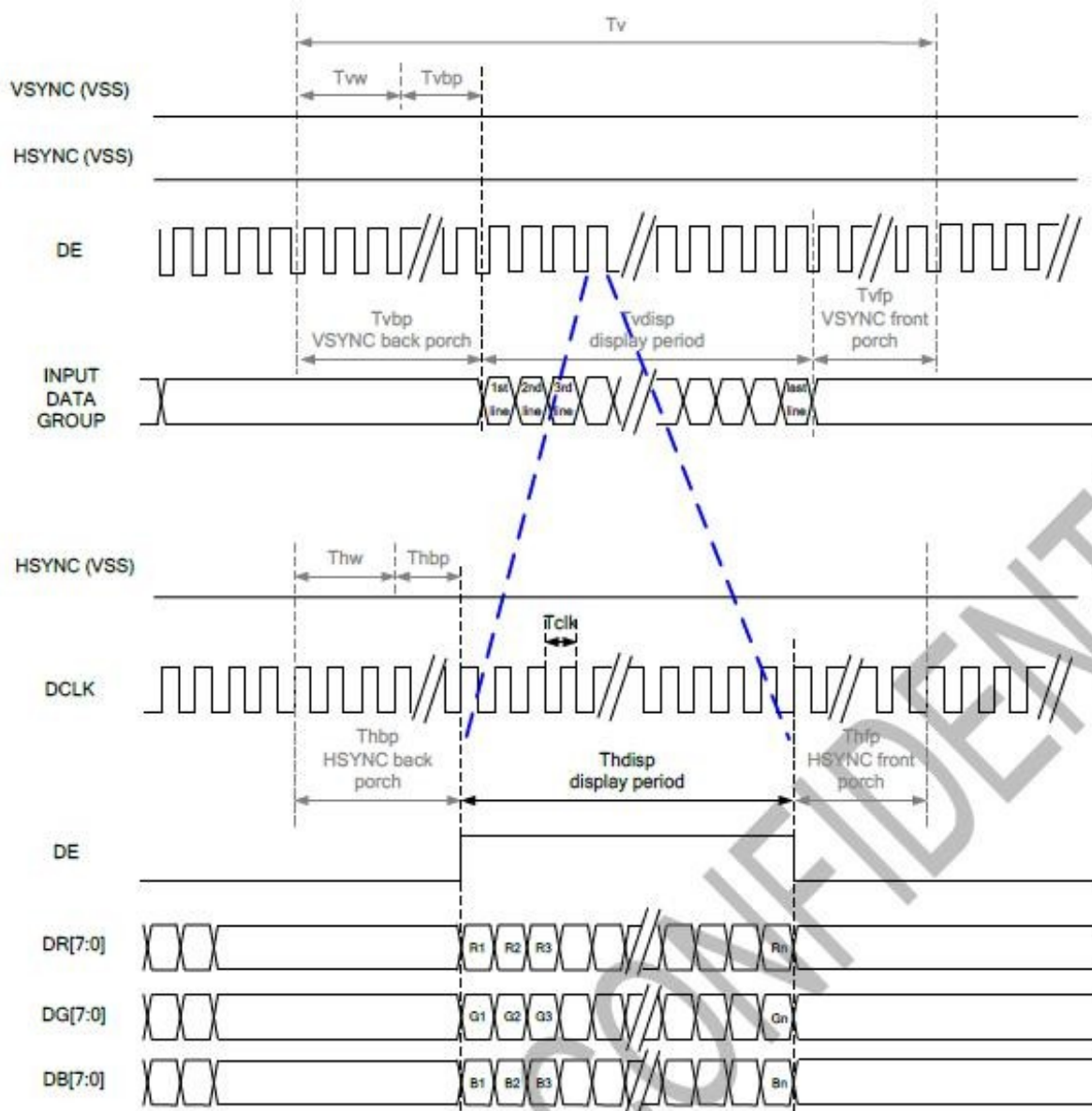
6.3.2.1 SYNC Mode:



6.3.2.2 SYNC-DE Mode:



6.3.2.3 DE Mode



6.4 Capacitive touch panel Specification

I2C

The I2C is always configured in the Slave mode. The data transfer format is shown in [Figure 2-4](#).

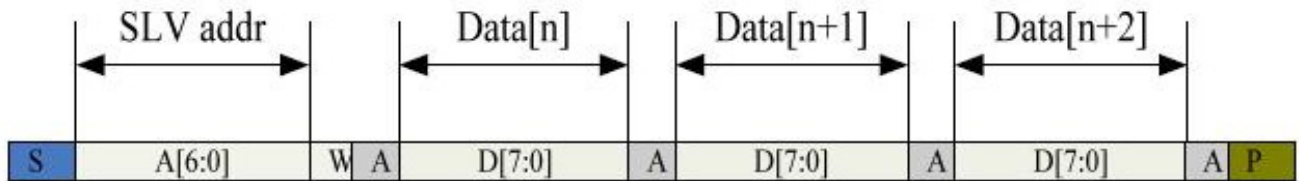
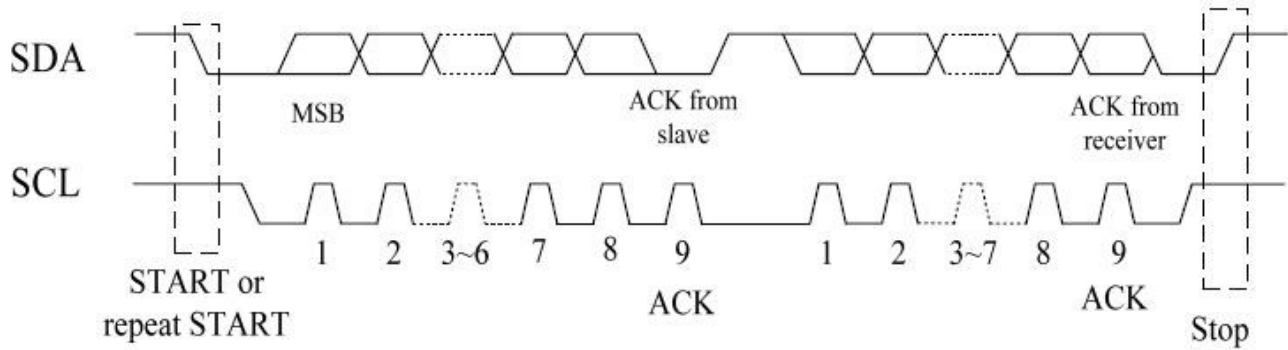


Figure 2-5 I2C master write, slave read

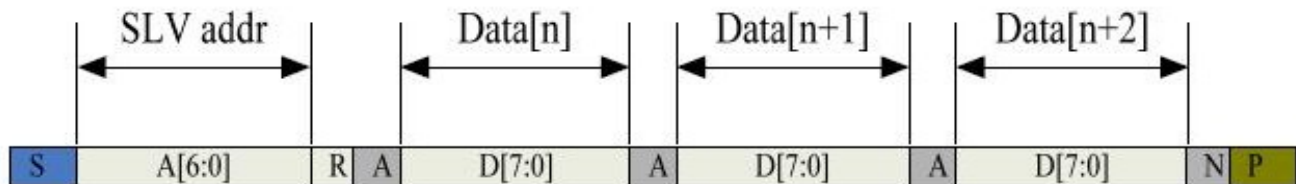


Figure 2-6 I2C master read, slave write

Table 2-1 lists the meanings of the mnemonics used in the above figures.

Table 2-1 Mnemonics Description

| Mnemonics | Description |
|-----------|--|
| S | I2C Start or I2C Restart |
| A[6:0] | Slave address A[6:4]: 3'b011 A[3:0]: data bits are identical to those of I2CCON[7:4] register. |
| W | 1'b0: Write |
| R | 1'b1: Read |
| A(N) | ACK(NACK) |
| P | STOP: the indication of the end of a packet (if this bit is missing, S will indicate the end of the current packet and the beginning of the next packet) |

I2C Interface Timing Characteristics is shown in Table 2-2.

Table 2-2 I2C Timing Characteristics

| Parameter | Unit | Min | Max |
|--|------|-----|-----|
| SCL frequency | KHz | 0 | 400 |
| Bus free time between a STOP and START condition | us | 4.7 | \ |
| Hold time (repeated) START condition | us | 4.0 | \ |
| Data setup time | ns | 250 | \ |
| Setup time for a repeated START condition | us | 4.7 | \ |
| Setup Time for STOP condition | us | 4.0 | \ |

7. Optical Characteristics

| Items | Symbol | Condition | Min. | Typ. | Max. | Unit | Remark | Note | |
|----------------------|------------|------------------------|--|------|------|-------|--------|------------------|-------|
| Response time | Tr+Tf | - | - | 30 | 40 | ms | FIG.1 | Note4 | |
| Contrast Ratio | CR | | 800 | 1000 | - | - | FIG.2 | Note1 | |
| Surface luminance | LV | $\theta=0^\circ$ | 750 | 900 | - | cd/m2 | FIG.2 | Note2 | |
| Luminance uniformity | Yu | $\theta=0^\circ$ | - | - | - | % | FIG.2 | Note3 | |
| NTSC | - | $\theta=0^\circ$ | 45 | 50 | - | % | FIG.2 | Note5 | |
| Viewing angle | θ_T | Center CR \geq 10 | - | 80 | - | deg | FIG.3 | Note6 | |
| | θ_B | | - | 80 | - | deg | FIG.3 | | |
| | θ_L | | - | 80 | - | deg | FIG.3 | | |
| | θ_R | | - | 80 | - | deg | FIG.3 | | |
| Chromaticity | Red | R_X | $\theta=0^\circ$ $\phi=0^\circ$ Ta=25° | TBD | TBD | TBD | - | FIG.2 CIE1931 | Note5 |
| | | R_Y | | TBD | TBD | TBD | - | | |
| | Green | G_X | | TBD | TBD | TBD | - | | |
| | | G_Y | | TBD | TBD | TBD | - | | |
| | Blue | B_X | | TBD | TBD | TBD | - | | |
| | | B_Y | | TBD | TBD | TBD | - | | |
| | White | W_X | | TBD | TBD | TBD | - | | |
| | | W_Y | | TBD | TBD | TBD | - | | |

Note1. Definition of contrast ratio

Contrast ratio (Cr) is defined mathematically by the following formula. For more information see FIG.2.

$$\text{Contrast ratio} = \frac{\text{Luminance measured when LCD on the "White"}}{\text{Luminance measured when LCD on the "Black"}}$$

For contrast ratio, Surface Luminance, Luminance uniformity and CIE, the testing data is based on TOPCON's BM-5 or BM-7 photo detector or compatible.

Note2. Definition of surface luminance

Surface luminance is the luminance with all pixels displaying white. For more information see FIG.2.

Lv = Average Surface Luminance with all white pixels (P1,P2,P3,,Pn)

Note3. Definition of luminance uniformity

The luminance uniformity in surface luminance is determined by measuring luminance at each test position 1 through n, and then dividing the maximum luminance of n points luminance by minimum luminance of n points luminance. For more information see FIG.2.

$$YU = \frac{\text{Minimum surface luminance with all white pixels (P1,P2,P3,.....,Pn)}}{\text{Maximum surface luminance with all white pixels (P1,P2,P3,.....,Pn)}}$$

Note4. Definition of response time

The response time is defined as the LCD optical switching time interval between “White” state and “Black” state. Rise time (Tr) is the time between photo detector output intensity changed from 90% to 10%. And fall time (Tf) is the time between photo detector output intensity changed from 10% to 90%.

For additional information see FIG1.

Note5. Definition of color chromaticity (CIE1931)

CIE (x,y) chromaticity, The x,y value is determined by screen active area center position P5. For more information see FIG.2.

Note6. Definition of viewing angle

Viewing angle is the angle at which the contrast ratio is greater than 10. Angles are determined for the horizontal or x axis and the vertical or y axis with respect to the z axis which is normal to the LCD surface. For more information see FIG.3.

For viewing angle and response time testing, the testing data is base on Autronic-Melchers’s ConoScope or DMS series Instruments or compatible.

FIG.1. The definition of response Time

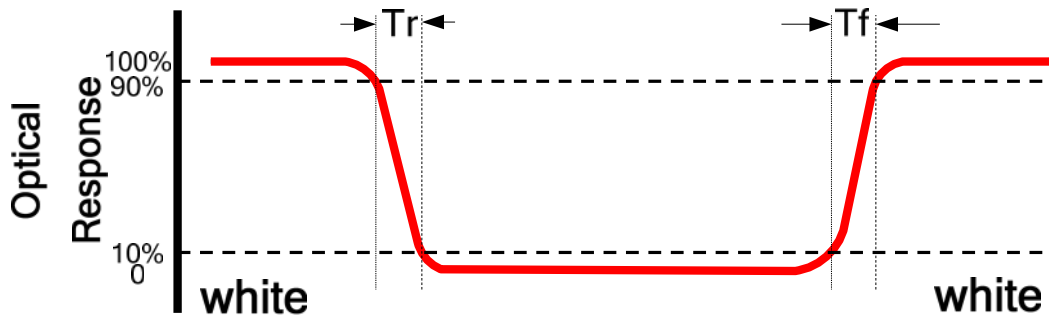


FIG.2. Measuring method for contrast ratio, surface luminance, luminance uniformity, CIE (x,y) chromaticity

Size: $S \leq 5"$ (see Figure a) A : 5mm B: 5mm
H,V: Active area
Light spot size $\phi=5\text{mm}$ (BM-5) or $\phi=7.7\text{mm}$ (BM-7) 50cm distance or compatible distance from the LCD surface to detector lens.
Test spot position: see Figure a.
Measurement instrument: TOPCON’s luminance meter BM-5 or BM-7 or compatible (see Figure c).

Size: $5" < S \leq 12.3"$ (see Figure b) H,V: Active area
Light spot size $\phi=5\text{mm}$ (BM-5) or $\phi=7.7\text{mm}$ (BM-7) 50cm distance or compatible distance from the LCD surface to detector lens.
Test spot position : see Figure b.
Measurement instrument: TOPCON’s luminance meter BM-5 or BM-7 or compatible (see Figure c).

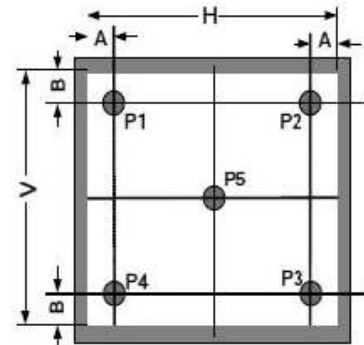


Figure a

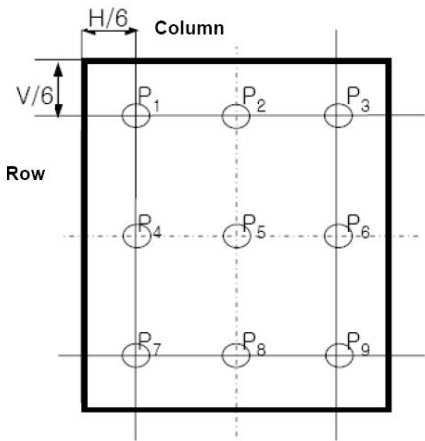


Figure b

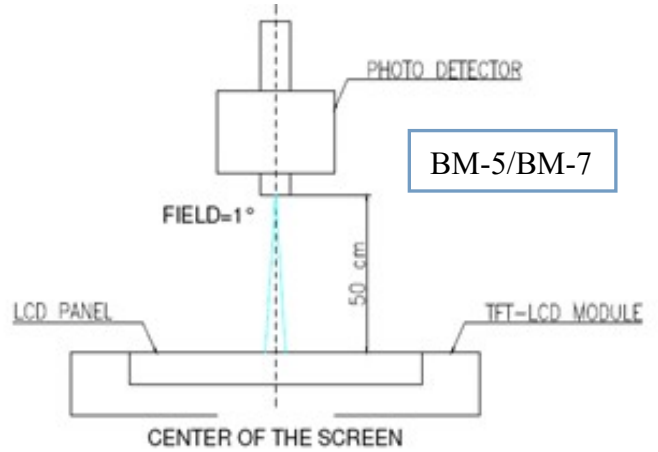
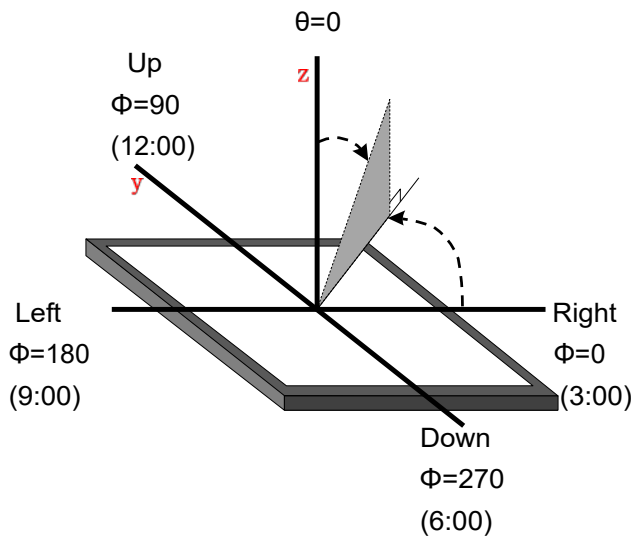


Figure c

FIG.3.The definition of viewing angle



8. Environmental / Reliability Tests

| No | Test Item | Condition | Remarks |
|----|--------------------------------------|---|--|
| 1 | High Temperature Operation | Ts= +70°C, 96hrs | Note 1 IEC60068-2-2, GB2423. 2-89 |
| 2 | Low Temperature Operation | Ta= -20°C, 96hrs | Note 2 IEC60068-2-1 GB2423.1-89 |
| 3 | High Temperature Storage | Ta= +80°C, 96hrs | IEC60068-2-2 GB2423. 2-89 |
| 4 | Low Temperature Storage | Ta= -30°C, 96hrs | IEC60068-2-1 GB/T2423.1-89 |
| 5 | High Temperature & Humidity Storage | Ta= +70°C, 90% RH max,96 hours | IEC60068-2-3 GB/T2423.3-2006 |
| 6 | Thermal Shock (Non-operation) | -20°C 30 min ~ +70°C 30 min Change time: 5min, 30 Cycle | Start with cold temperature, end with high temperature IEC60068-2-14, GB2423.22-87 |
| 7 | Electro Static Discharge (Operation) | C=150pF, R=330 Ω, 5 points/panel Air:±8KV, 5 times; Contact: ±4KV, 5 times; (Environment: 15°C ~ 35°C, 30% ~ 60%, 86Kpa ~ 106Kpa) | IEC61000-4-2 GB/T17626.2-1998 |
| 8 | Vibration (Non-operation) | Frequency range: 10~55Hz, Stroke: 1.mm Sweep: 10Hz~55Hz~10Hz 2 hours for each direction of X .Y. Z. (package condition) | IEC60068-2-6 GB/T2423.5-1995 |
| 9 | Shock (Non-operation) | 60G 6ms, ± X, ±Y , ± Z 3 times for each direction | IEC60068-2-27 GB/T2423.5-1995 |
| 10 | Package Drop Test | Height: 80 cm, 1 corner, 3 edges, 6 surfaces | IEC60068-2-32 GB/T2423.8-1995 |

Notes:

1. The test result shall be evaluated after the sample has been left at room temperature and humidity for 2 hours without load. No condensation shall be accepted. The sample will not be accepted if appear these defects:

- 1).Air bubble in the LCD;
- 2).Seal leak
- 3).Non-display
- 4).missing segments
- 5).Glass crack
- 6).CR reduction >40%
- 7).IDD increase >100%
- 8).Brightness reduction >50%
- 9).Color coordinate tolerance >0.05

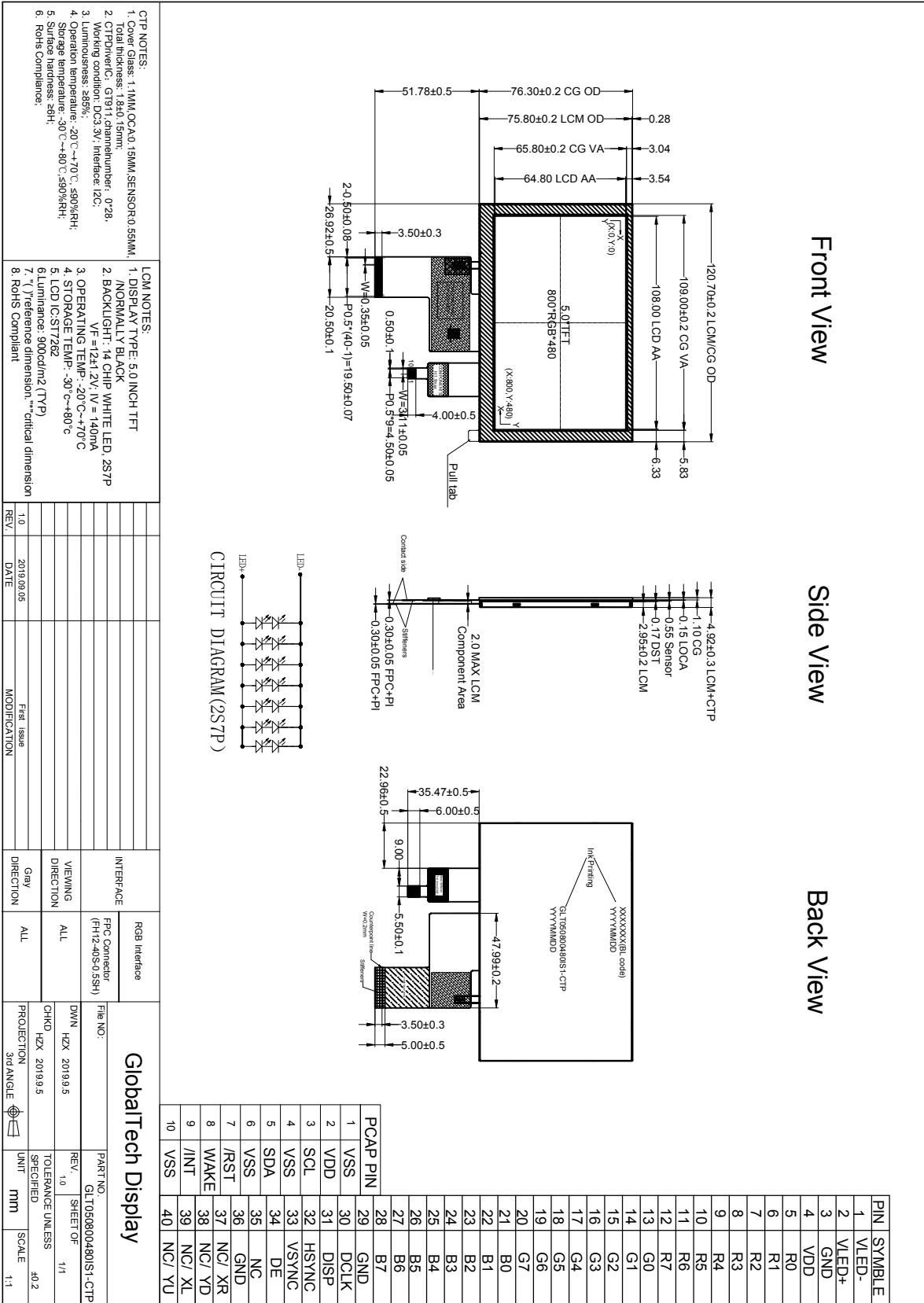
2. ≤7.0 inch: The size of sample is 5pcs;
>7.0 inch: The size of sample is 2pcs;

3. One test sample must complete each test item;

4. In case of malfunction defect caused by ESD damage, if it would be recovered to normal state after resetting, it would be judge as a good part.

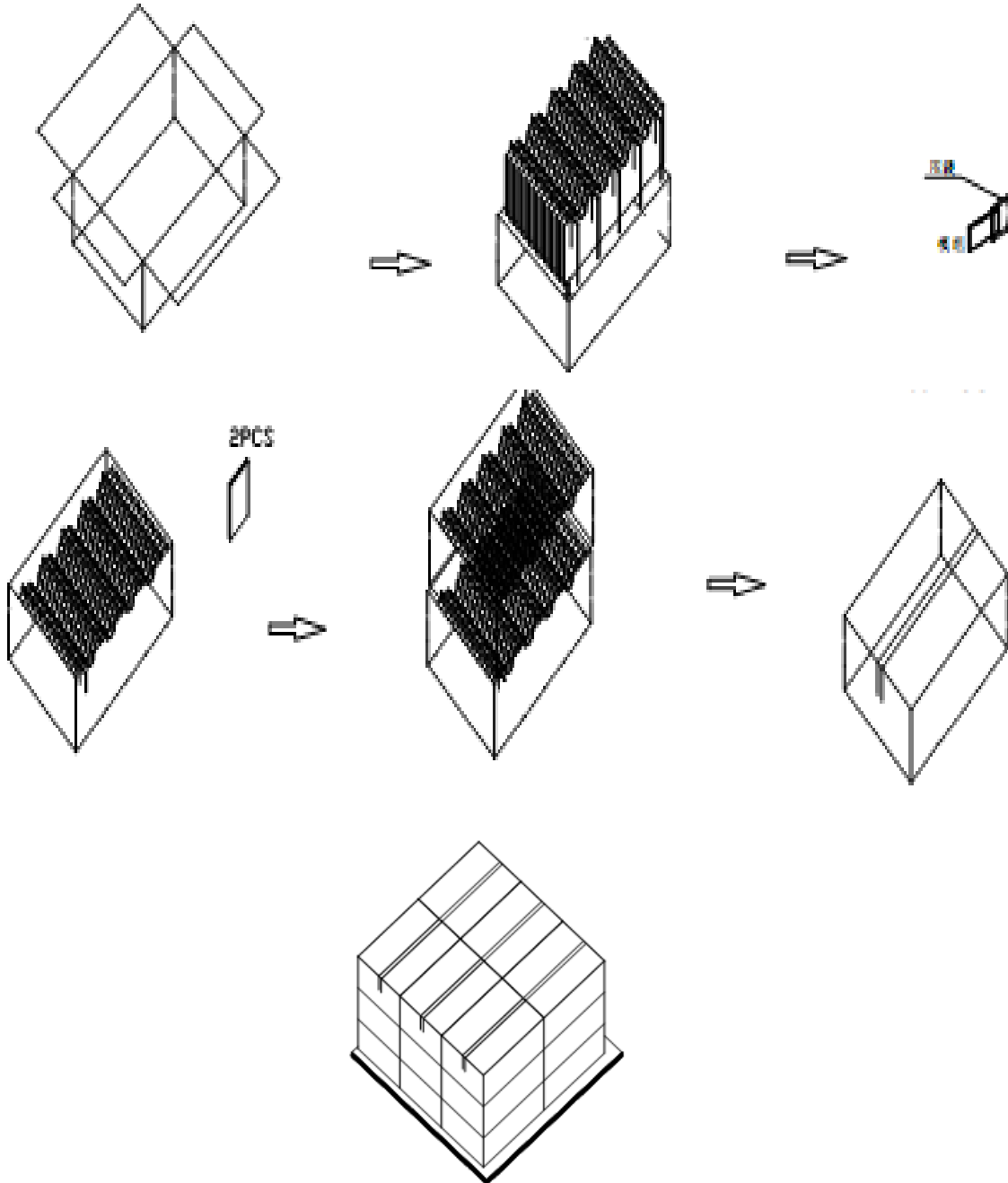
5. In the test of High Temperature Operation and High Temperature & Humidity Operation, the operation temperature is the surface temperature of module.

9. Mechanical Drawing



10. Packing

Packing Method



11. TFT-LCD Module Inspection Criteria

11.1 Scope

The incoming inspection standards shall be applied to TFT-LCD Modules (hereinafter Called "Modules") that supplied by GlobalTech Display.

11.2 Incoming Inspection

The customer shall inspect the modules within twenty calendar days of the delivery date (the "inspection period) at its own cost. The result of the inspection (acceptance or rejection) shall be recorded in writing, and a copy of this writing will be promptly sent to the seller, If the results of the inspecting from buyer does not send to the seller within twenty calendar days of the delivery date. The modules shall be regards as acceptance. Should the customer fail to notify the seller within the inspection period, the buyer's right to reject the modules shall be lapsed and the modules shall be deemed to have been accepted by the buyer.

11.3 Inspection Sampling

11.3.1. Lot size: Quantity per shipment lot per model

11.3.2. Sampling type: Normal inspection, Single sampling

11.3.3. Inspection level: II

11.3.4. Sampling table: MIL-STD-105E

11.3.5. Acceptable quality level (AQL)

Major defect: AQL=0.65 Minor defect: AQL=1.00

11.4 Inspection Conditions

11.4.1 Ambient conditions:

a. Temperature: Room temperature $25\pm 5^{\circ}\text{C}$

b. Humidity: $(60\pm 10)\% \text{RH}$

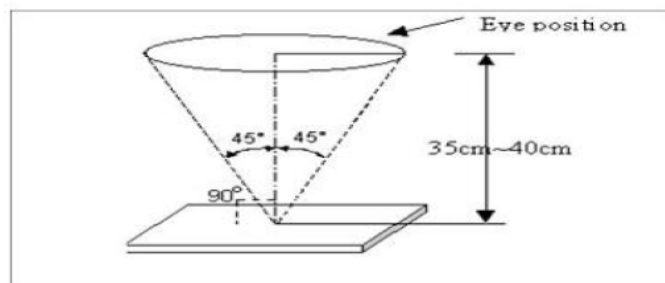
c. Illumination: Single fluorescent lamp non-directive (300 to 700 Lux)

11.4.2 Viewing distance

The distance between the LCD and the inspector's eyes shall be at least $35\pm 5\text{cm}$.

11.4.3 Viewing Angle

U/D: $45^{\circ}/45^{\circ}$, L/R: $45^{\circ}/45^{\circ}$



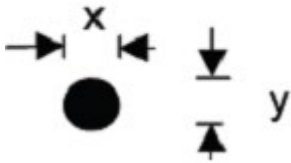
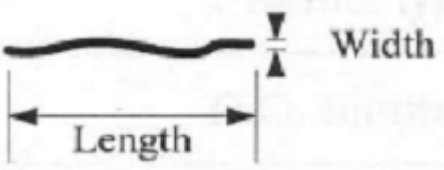
11.5 Inspection Criteria

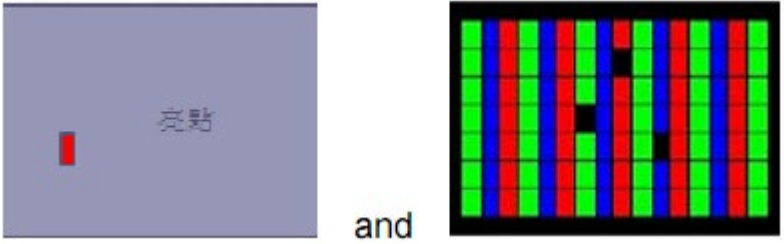
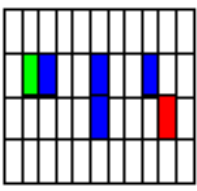
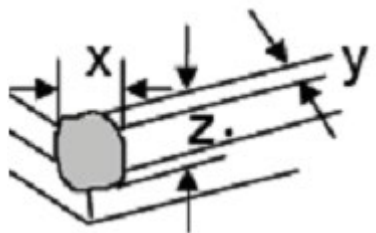
Defects are classified as major defects and minor defects according to the degree of defectiveness defined herein.

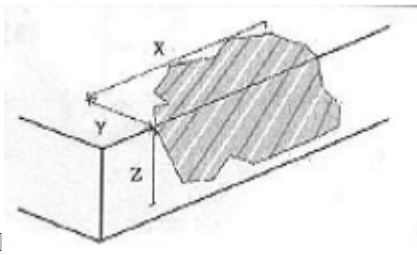
11.5.1 Major defect

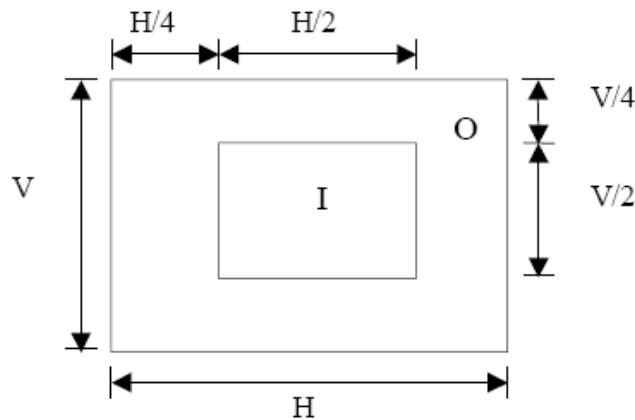
| Item No | Items to be inspected | Inspection Standard |
|----------|------------------------|--|
| 11.5.1.1 | All functional defects | 1) No display 2) Display abnormally 3) Short circuit 4) line defect |
| 11.5.1.2 | Missing | Missing function component |
| 11.5.1.3 | Crack | Glass Crack |

11.5.2 Minor defect

| Item No | Items to be inspected | Inspection standard | |
|----------|--|---|---------------------|
| 11.5.2.1 | Spot Defect Including Black spot White spot Pinhole Foreign particle Polarizer dirt | For dark/white spot is defined | |
| | | $\varphi = (x+y) / 2$  | |
| | | Size φ (mm) | Acceptable Quantity |
| | | $\varphi \leq 0.2$ | Ignore |
| | | $0.2 < \varphi \leq 0.3$ | 3 |
| | $0.3 < \varphi$ | Not allowed | |
| 11.5.2.2 | Line Defect Including Black line White line Scratch | Define: | |
| | |  | |
| | | Width (mm) Length (mm) | Acceptable Quantity |

| | | | | | |
|----------------------------|--------------------------|--|---------------------|---|------------------|
| | | $W \leq 0.05$ | Ignore | | |
| | | $0.05 < W \leq 0.1$ $L \leq 2.5$ | 3 | | |
| | | $0.1 < W$ or $L > 2.5$ | Not allowed | | |
| 11.5.2.3 | Polarizer Dent/Bubble | Size φ (mm) | Acceptable Quantity | | |
| | | $\varphi \leq 0.2$ | Ignore | | |
| | | $0.2 < \varphi \leq 0.3$ | 2 | | |
| | | $0.3 < \varphi \leq 0.3$ | 1 | | |
| | | $0.3 < \varphi$ | Not allowed | | |
| | | Total QTY | 3 | | |
| 11.5.2.4 | Electrical Dot Defect | Bright and Black dot define: | | | |
| | |  | | | |
| | | and | | | |
| | |  | | | |
| | | Two Adjacent Dot | | | |
| | | Inspection pattern: Full white, Full black, Red, green and blue screens | | | |
| | | Item | Acceptable Quantity | | |
| | | | I | O | Note |
| | | Black dot defect | 2 | | (5mm ≤ Distance) |
| | | Bright dot defect | 1 | | |
| Two Adjacent Dot | 1 | | | | |
| There or more Adjacent Dot | Not allowed | | | | |
| Total Dot | 2 | | | | |
| 11.5.2.5 | Glass defect |  | | | |
| | | 1. Corner Fragment: | | | |

| | | | |
|-------------------------|---|---|---|
| | | Size (mm) | Acceptable Quantity □ |
| | | X≤3mm Y≤1mm Z≤T | Ignore T: Glass thickness X: Length Y: Width Z: thickness |
| | |  <p>2. Side Fragment: □</p> | |
| | | Size(mm) | Acceptable Quantity |
| X≤5.0mm Y≤1mm Z≤T | T: Glass thickness X: Length Y: Width Z: Thickness | | |



I area & O area

- Note:
- 1). Dot defect is defined as the defective area of the dot area is larger than 50% of the dot area.
 - 2). The distance between two bright dot defects (red, green, blue, and white) should be larger than 15mm.
 - 3). The distance between black dot defects or black and bright dot defects should be more than 5mm apart.
 - 4). Polarizer bubble is defined as the bubble appears on active display area. The defect of polarizer bubble shall be ignored if the polarizer bubble appears on the outside of active display area.

11.6 Mechanics specification

As for the outside dimension, weight of the modules, please refer to product specification
For more details

12. Precautions for Use of LCD modules

12.1 Handling Precautions

12.1.1. The display panel is made of glass. Do not subject it to a mechanical shock by dropping it from a high place, etc.

12.1.2. If the display panel is damaged and the liquid crystal substance inside it leaks out, be sure not to get any in your mouth, if the substance comes into contact with your skin or clothes, promptly wash it off using soap and water.

12.1.3. Do not apply excessive force to the display surface or the adjoining areas since this may cause the color tone to vary.

12.1.4. The polarizer covering the display surface of the LCD module is soft and easily scratched. Handle this polarizer carefully.

12.1.5. If the display surface is contaminated, breathe on the surface and gently wipe it with a soft dry cloth. If still not completely clear, moisten cloth with one of the following solvents:

- Isopropyl alcohol
- Ethyl alcohol

Solvents other than those mentioned above may damage the polarizer. Especially, do not use the following:

- Water
- Ketene

12.1.6. Do not attempt to disassemble the LCD Module.

12.1.7. If the logic circuit power is off, do not apply the input signals.

12.1.8. To prevent destruction of the elements by static electricity, be careful to maintain an optimum work environment.

12.1.8.1. Be sure to ground the body when handling the LCD Modules.

12.1.8.2. Tools required for assembly, such as soldering irons, must be properly ground.

12.1.8.3. To reduce the amount of static electricity generated, do not conduct assembly and other work under dry conditions.

12.1.8.4. The LCD Module is coated with a film to protect the display surface. Be care when peeling off this protective film since static electricity may be generated.

12.2 Storage Precautions

12.2.1. When storing the LCD modules, avoid exposure to direct sunlight or to the light of fluorescent lamps.

12.2.2. The LCD modules should be stored under the storage temperature range. If the LCD modules will be stored for a long time, the recommended condition is:

Temperature: 0°C ~ 40°C, Relatively humidity: ≤80%

12.2.3. The LCD modules should be stored in the room without acid, alkali and harmful gas.

12.3 Transportation Precautions

The LCD modules should be no falling and violent shocking during transportation, and also should avoid excessive pressure, water, damp and sunshine.