

# High Efficiency, 2-Phase, Dual Synchronous Step-Down Switching Controller and Step-Up Regulator

## FEATURES

### Step-Down Controller

- **Out-of-Phase Controllers Reduce Required Input Capacitance and Power Supply Induced Noise**
- **Power Good Output Voltage Indicator**
- OPTI-LOOP™ Compensation Minimizes  $C_{OUT}$
- DC Programmed Fixed Frequency 150kHz to 300kHz
- Wide  $V_{IN}$  Range: 3.5V to 36V Operation
- Very Low Dropout Operation: 99% Duty Cycle
- Adjustable Soft-Start Current Ramping
- Latched Short-Circuit Shutdown with Defeat Option
- Remote Output Voltage Sense and OV Protection
- 5V and 3.3V Standby Regulators
- Selectable Const. Freq. or Burst Mode™ Operation

### Step-Up Regulator

- **High Operating Switching Frequency of 1.2MHz**
- **Low Internal  $V_{CESAT}$  Switch: 400mV @ 1A,  $V_{IN} = 3V$**
- Wide  $V_{IN}$  Range: 2.6V to 16V Operation
- High Output Voltage: Up to 34V

## APPLICATIONS

- 3.3V Input Step-Down Converter
- Notebook and Palmtop Computers, PDAs
- Battery-Operated Digital Devices

## DESCRIPTION

The LTC®1876 is a high performance triple output switching regulator. It incorporates a dual step-down switching controller that drives all N-channel synchronous power MOSFET stages. A step-up regulator with an internal 1A, 36V switch provides the third output.

The step-down controllers minimize power loss and noise by operating the output stage of each controller out of phase. OPTI-LOOP compensation allows the transient response to be optimized over a wide range of output capacitance and ESR values. A RUN/SS pin for each controller provides both soft-start and an optional timed, short-circuit shutdown that can be configured to latch off one or both controllers. Current foldback provides additional short-circuit protection. In an overvoltage condition, the bottom MOSFET is latched on until  $V_{OUT}$  returns to normal. The FCB pin can be used to inhibit Burst Mode operation or to enable regulation of a secondary output voltage.

The step-up regulator operates at 1.2MHz, allowing the use of tiny low cost capacitors and inductors. In addition, its internal 1A switch allows high current outputs to be generated. Its current mode control scheme provides excellent line and load regulation.

LT, LTC and LT are registered trademarks of Linear Technology Corporation. Burst Mode and OPTI-LOOP are trademarks of Linear Technology Corporation.

## TYPICAL APPLICATION

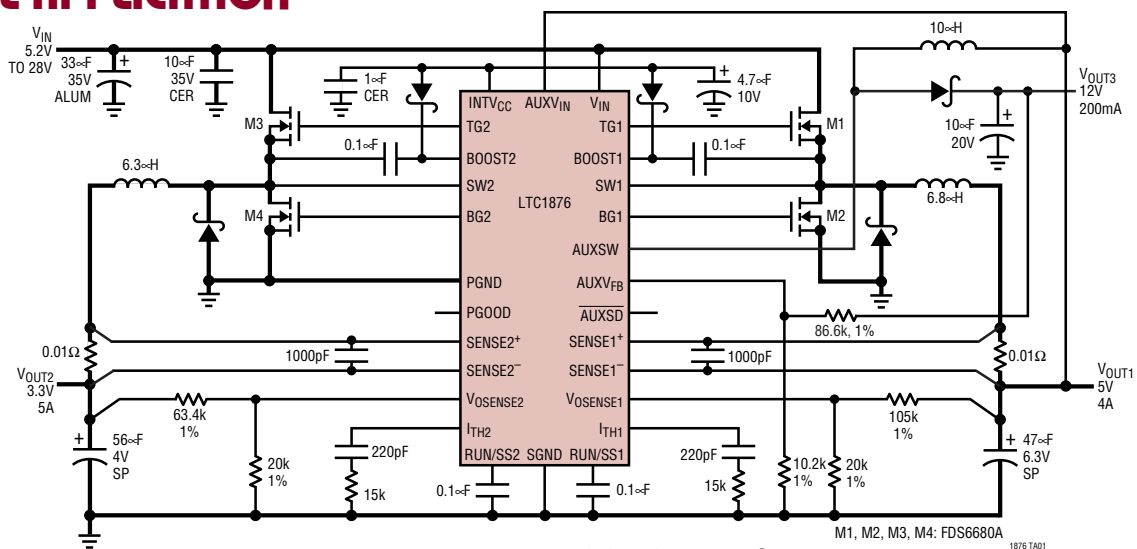


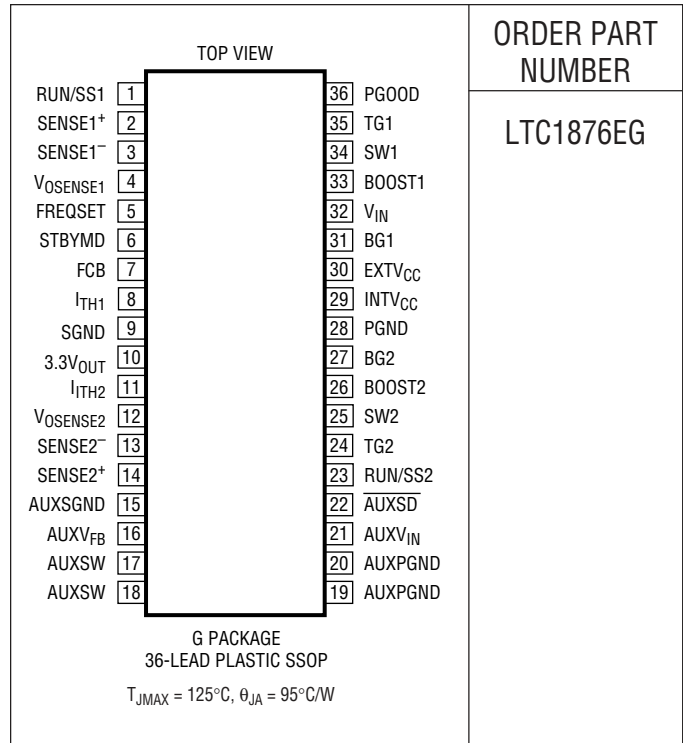
Figure 1. High Efficiency Triple 5V/3.3V/12V Power Supply

## ABSOLUTE MAXIMUM RATINGS

(Note 1)

Input Supply Voltage ( $V_{IN}$ )	36V to -0.3V
Topside Driver Voltages	
(BOOST1, BOOST2)	42V to -0.3V
Switch Voltage (SW1, SW2)	36V to -5V
INTV <sub>CC</sub> , EXTV <sub>CC</sub> , RUN/SS1, RUN/SS2, PGOOD, (BOOST1-SW1), (BOOST2-SW2),	
	7V to -0.3V
SENSE1 <sup>+</sup> , SENSE2 <sup>+</sup> , SENSE1 <sup>-</sup> , SENSE2 <sup>-</sup>	
Voltages	(1.1)INTV <sub>CC</sub> to -0.3V
FREQSET, STBYMD, FCB, PGOOD	
Voltages	7V to -0.3V
$I_{TH1}$ , $I_{TH2}$ , $V_{OSENSE1}$ , $V_{OSENSE2}$ Voltages ...	
	2.7V to -0.3V
Peak Output Current <10 $\mu$ s (TG1, TG2, BG1, BG2) ...	3A
INTV <sub>CC</sub> Peak Output Current	50mA
AUXV <sub>IN</sub>	16V to -0.3V
AUXSD	10V
AUXSW	36V to -0.3V
AUXV <sub>FB</sub> Voltage	2.5V to -0.3V
Current into AUXV <sub>FB</sub>	$\pm 1$ mA
Operating Temperature Range (Note 2) ...	
	-40°C to 85°C
Junction Temperature (Note 3)	
	125°C
Storage Temperature Range	
	-65°C to 150°C
Lead Temperature (Soldering, 10 sec)	
	300°C

## PACKAGE/ORDER INFORMATION



ORDER PART NUMBER

LTC1876EG

Consult factory for parts specified with wider operating temperature ranges.

## ELECTRICAL CHARACTERISTICS

The ● denotes the specifications which apply over the full operating temperature range, otherwise specifications are at  $T_A = 25^\circ\text{C}$ .  $V_{IN} = 15\text{V}$ ,  $V_{RUN/SS1, 2} = 5\text{V}$ ,  $AUXV_{IN} = 3\text{V}$  unless otherwise noted.

SYMBOL	PARAMETER	CONDITIONS	MIN	TYP	MAX	UNITS
<b>Main Control Loops</b>						
$V_{OSENSE1, 2}$	Regulated Feedback Voltage	$I_{TH1, 2}$ Voltage = 1.2V (Note 4)	● 0.792	0.800	0.808	V
$I_{VOSENSE1, 2}$	Feedback Current	(Note 4)		-5	-50	nA
$V_{REFLNREG}$	Reference Voltage Line Regulation	$V_{IN} = 3.6\text{V to }30\text{V}$ (Note 4)		0.002	0.02	%/V
$V_{LOADREG}$	Output Voltage Load Regulation	(Note 4) Measured in Servo Loop; $\Delta I_{TH}$ Voltage = 1.2V to 0.7V Measured in Servo Loop; $\Delta I_{TH}$ Voltage = 1.2V to 2V	●	0.1	0.5	%
			●	-0.1	-0.5	%
$g_{m1, 2}$	Transconductance Amplifier $g_m$	$I_{TH1, 2} = 1.2\text{V}$ ; Sink/Source 5 $\mu\text{A}$ ; (Note 4)		1.3		mmho
$g_{mOL1, 2}$	Transconductance Amplifier GBW	$I_{TH1, 2} = 1.2\text{V}$ ; (Note 4)		3		MHz
$I_Q$	Input DC Supply Current	(Note 5) $V_{IN} = 15\text{V}$ ; EXTV <sub>CC</sub> Tied to $V_{OUT1}$ ; $V_{OUT1} = 5\text{V}$ Normal Mode Standby Shutdown		350		$\mu\text{A}$
		$V_{RUN/SS1, 2} = 0\text{V}$ , $V_{STBYMD} > 2\text{V}$		125		$\mu\text{A}$
		$V_{RUN/SS1, 2} = 0\text{V}$ , $V_{STBYMD} = \text{Open}$		20	35	$\mu\text{A}$
$V_{FCB}$	Forced Continuous Threshold		● 0.76	0.800	0.84	V
$I_{FCB}$	Forced Continuous Current	$V_{FCB} = 0.85\text{V}$		-0.3	-0.18	$\mu\text{A}$
$V_{BINHIBIT}$	Burst Inhibit (Constant Frequency) Threshold	Measured at FCB pin		4.3	4.8	V

## ELECTRICAL CHARACTERISTICS

The ● denotes the specifications which apply over the full operating temperature range, otherwise specifications are at  $T_A = 25^\circ\text{C}$ .  $V_{IN} = 15\text{V}$ ,  $V_{RUN/SS1, 2} = 5\text{V}$ ,  $AUXV_{IN} = 3\text{V}$  unless otherwise noted.

SYMBOL	PARAMETER	CONDITIONS	MIN	TYP	MAX	UNITS	
UVLO	Undervoltage Lockout	$V_{IN}$ Ramping Down	●	3.5	4	V	
VOVL	Overvoltage Feedback Threshold	Measured at $V_{OSENSE1, 2}$	●	0.84	0.86	0.88	V
$I_{SENSE}$	Sense Pins Total Source Current	(Each Channel); $V_{SENSE1^-, 2^-} = V_{SENSE1^+, 2^+} = 0\text{V}$		-85	-60	$\mu\text{A}$	
$V_{STBYMD MS}$	Master Shutdown Threshold	$V_{STBYMD}$ Ramping Down		0.4	0.6	V	
$V_{STBYMD KA}$	Keep-Alive Power On-Threshold	$V_{STBYMD}$ Ramping Up, $RUN_{SS1, 2} = 0\text{V}$		1.5	2	V	
$DF_{MAX}$	Maximum Duty Factor	In Dropout		98	99.4	%	
$I_{RUN/SS1, 2}$	Soft-Start Charge Current	$V_{RUN/SS1, 2} = 1.9\text{V}$		0.5	1.2	$\mu\text{A}$	
$V_{RUN/SS1, 2 ON}$	RUN/SS Pin ON Threshold	$V_{RUN/SS1, 2}$ Rising		1.0	1.5	1.9	V
$V_{RUN/SS1, 2 LT}$	RUN/SS Pin Latchoff Arming Threshold	$V_{RUN/SS1, 2}$ Rising from 3V		4.1	4.5	V	
$I_{SCL1, 2}$	RUN/SS Discharge Current	Soft Short Condition $V_{OSENSE1, 2} = 0.5\text{V}$ ; $V_{RUN/SS1, 2} = 4.5\text{V}$		0.5	2	4	$\mu\text{A}$
$I_{SDLHO}$	Shutdown Latch Disable Current	$V_{OSENSE1, 2} = 0.5\text{V}$		1.6	5	$\mu\text{A}$	
$V_{SENSE(MAX)}$	Maximum Current Sense Threshold	$V_{OSENSE1, 2} = 0.7\text{V}$ , $V_{SENSE1^-, 2^-} = 5\text{V}$	●	62	75	88	mV
$TG1, 2 t_r$ $TG1, 2 t_f$	TG Transition Time: Rise Time Fall Time	$C_{LOAD} = 3300\text{pF}$ $C_{LOAD} = 3300\text{pF}$		50	90	ns	
				50	90	ns	
$BG1, 2 t_r$ $BG1, 2 t_f$	BG Transition Time: Rise Time Fall Time	$C_{LOAD} = 3300\text{pF}$ $C_{LOAD} = 3300\text{pF}$		40	90	ns	
				40	80	ns	
$TG/BG t_{1D}$	Top Gate Off to Bottom Gate On Delay Synchronous Switch-On Delay Time	$C_{LOAD} = 3300\text{pF}$ Each Driver		90		ns	
$BG/TG t_{2D}$	Bottom Gate Off to Top Gate On Delay Top Switch-On Delay Time	$C_{LOAD} = 3300\text{pF}$ Each Driver		90		ns	
$t_{ON(MIN)}$	Minimum ON-Time	Tested with a Square Wave (Note 7)		180		ns	
<b>INTV<sub>CC</sub> Linear Regulator</b>							
$V_{INTVCC}$	Internal $V_{CC}$ Voltage	$6\text{V} < V_{IN} < 30\text{V}$ , $V_{EXTVCC} = 4\text{V}$		4.8	5.0	5.2	V
$V_{LDO INT}$	INTV <sub>CC</sub> Load Regulation	$I_{CC} = 0$ to 20mA, $V_{EXTVCC} = 4\text{V}$		0.2	1.0	%	
$V_{LDO EXT}$	EXTV <sub>CC</sub> Voltage Drop	$I_{CC} = 20\text{mA}$ , $V_{EXTVCC} = 5\text{V}$		80	160	mV	
$V_{EXTVCC}$	EXTV <sub>CC</sub> Switchover Voltage	$I_{CC} = 20\text{mA}$ , EXTV <sub>CC</sub> Ramping Positive	●	4.5	4.7	V	
$V_{LDOHYS}$	EXTV <sub>CC</sub> Hysteresis			0.2		V	
<b>Oscillator</b>							
$f_{OSC}$	Oscillator frequency	$V_{FREQSET} = \text{Open}$ (Note 8)		190	220	250	kHz
$f_{LOW}$	Lowest Frequency	$V_{FREQSET} = 0\text{V}$		120	140	160	kHz
$f_{HIGH}$	Highest Frequency	$V_{FREQSET} = 2.4\text{V}$		280	310	360	kHz
$I_{FREQSET}$	FREQSET Input Current	$V_{FREQSET} = 2.4\text{V}$		-2	-1	$\mu\text{A}$	

## ELECTRICAL CHARACTERISTICS

The ● denotes the specifications which apply over the full operating temperature range, otherwise specifications are at  $T_A = 25^\circ\text{C}$ .  $V_{IN} = 15\text{V}$ ,  $V_{RUN/SS1, 2} = 5\text{V}$ ,  $AUXV_{IN} = 3\text{V}$  unless otherwise noted.

SYMBOL	PARAMETER	CONDITIONS	MIN	TYP	MAX	UNITS	
<b>3.3V Linear Regulator</b>							
$V_{3.3OUT}$	3.3V Regulator Output Voltage	No Load	● 3.25	3.35	3.45	V	
$V_{3.3IL}$	3.3V Regulator Load Regulation	$I_{3.3} = 0\text{mA}$ to $10\text{mA}$		0.5	2	%	
$V_{3.3VL}$	3.3V Regulator Line Regulation	$6\text{V} < V_{IN} < 30\text{V}$		0.05	0.2	%	
<b>PGOOD Output</b>							
$V_{PGL}$	PGOOD Voltage Low	$I_{PGOOD} = 2\text{mA}$		0.1	0.3	V	
$I_{PGOOD}$	PGOOD Leakage Current	$V_{PGOOD} = 5\text{V}$			$\pm 1$	$\mu\text{A}$	
$V_{PG}$	PGOOD Trip Level, Either Controller	$V_{OSENSE}$ with Respect to Set Output Voltage $V_{OSENSE}$ Ramping Negative $V_{OSENSE}$ Ramping Positive	-6 6	-7.5 7.5	-9.5 9.5	% %	
<b>Aux Output</b>							
$AUXV_{INMIN}$	AUX Minimum Operating Voltage		●	2.4	2.6	V	
$AUXV_{FB}$	AUX Regulated Feedback Voltage		● 1.23	1.26	1.28	V	
$AUXI_{FB}$	AUX Feedback Pin Bias Current		●	120	360	nA	
$AUXI_Q$	AUX Input DC Supply Current Normal Mode Shutdown	$V_{AUXSD} = 2.4\text{V}$ , Not Switching $V_{AUXSD} = 0\text{V}$		4 0.01	1	mA $\mu\text{A}$	
$AUXV_{LINEREG}$	AUX Line Regulation	$2.6\text{V} \leq AUXV_{IN} \leq 16\text{V}$		0.01	0.05	%/V	
$AUXf_{OSC}$	AUX Oscillator Frequency		● 0.8	1.2	1.6	MHz	
$AUXDC_{MAX}$	AUX Oscillator Maximum Duty Cycle		● 84	86		%	
$AUXI_{LIMIT}$	AUX Switch Current Limit	(Note 9)		1	1.4	2	A
$AUXV_{CESAT}$	AUX Switch Saturation Voltage	$I_{SW} = 900\text{mA}$ (Note 10)		330	550	mV	
$AUXI_{LEAKAGE}$	AUX Switch Leakage Current	$V_{SW} = 5\text{V}$		0.01	1	$\mu\text{A}$	
$AUXV_{AUXSD}$	AUX Shutdown Input Voltage AUX Shutdown Upper Trip Point AUX Shutdown Lower Trip Point		2.4		0.5	V V	
$I_{AUXSD}$	AUXSD Pin Bias Current $V_{AUXSD} = 3\text{V}$ $V_{AUXSD} = 0\text{V}$			16 0.01	32 0.1	$\mu\text{A}$ $\mu\text{A}$	

**Note 1:** Absolute Maximum Ratings are those values beyond which the life of a device may be impaired.

**Note 2:** The LTC1876E is guaranteed to meet performance specifications from  $0^\circ\text{C}$  to  $70^\circ\text{C}$ . Specifications over the  $-40^\circ\text{C}$  to  $85^\circ\text{C}$  operating temperature range are assured by design, characterization and correlation with statistical process controls.

**Note 3:**  $T_J$  is calculated from the ambient temperature  $T_A$  and power dissipation  $P_D$  according to the following formulas:

$$LTC1876EG: T_J = T_A + (P_D \cdot 95^\circ\text{C/W})$$

**Note 4:** The LTC1876 is tested in a feedback loop that serves  $V_{ITH1, 2}$  to a specified voltage and measures the resultant  $V_{OSENSE1, 2}$ .

**Note 5:** Dynamic supply current is higher due to the gate charge being delivered at the switching frequency. See Applications Information.

**Note 6:** Rise and fall times are measured using 10% and 90% levels. Delay times are measured using 50% levels.

**Note 7:** The minimum on-time condition is specified for an inductor peak-to-peak ripple current  $\geq 40\%$  of  $I_{MAX}$  (see Minimum On-Time Considerations in the Applications Information section).

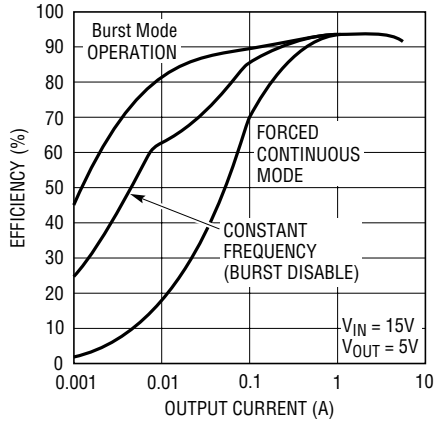
**Note 8:**  $V_{FREQSET}$  pin internally tied to 1.19V reference through a large resistance.

**Note 9:** Current limit guaranteed by design and/or correlation to static test.

**Note 10:** 100% tested at wafer level.

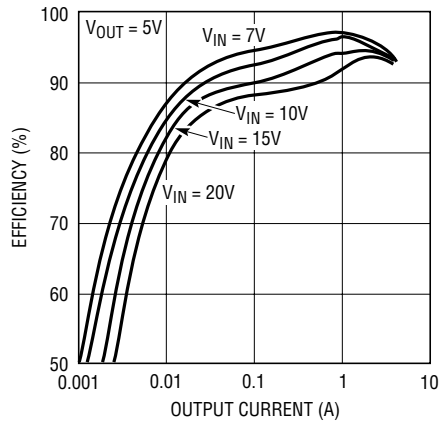
# TYPICAL PERFORMANCE CHARACTERISTICS

**Efficiency vs Output Current and Mode (Figure 1)**



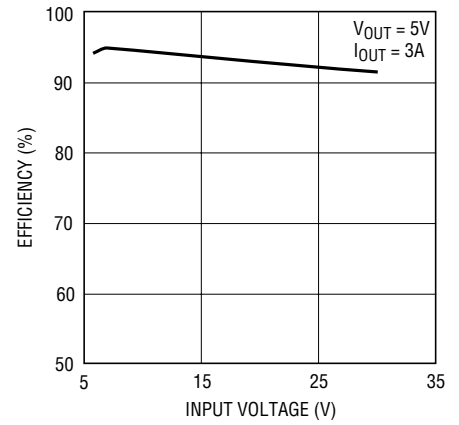
1876 G01

**Efficiency vs Output Current (Figure 1)**



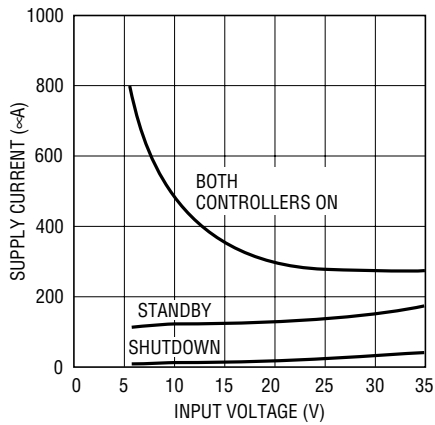
1876 G02

**Efficiency vs Input Voltage (Figure 1)**



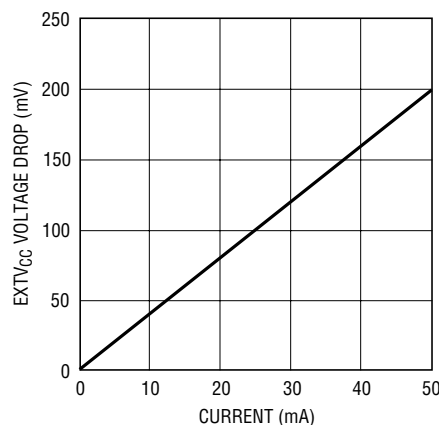
1876 G03

**V<sub>IN</sub> Supply Current vs Input Voltage and Mode (Figure 1)**



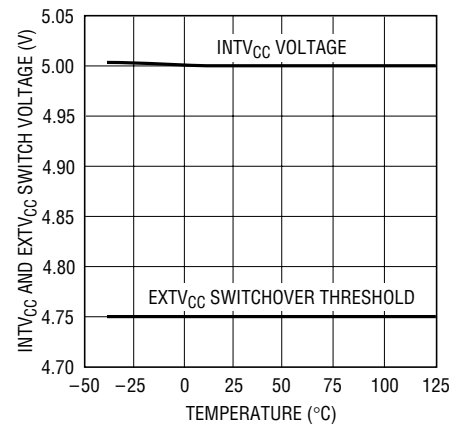
1876 G04

**EXTV<sub>CC</sub> Voltage Drop**



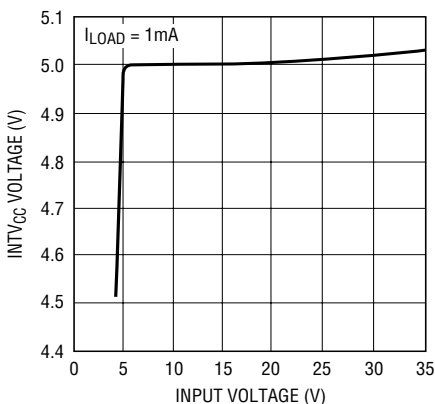
1876 G05

**INTV<sub>CC</sub> and EXTV<sub>CC</sub> Switch Voltage vs Temperature**



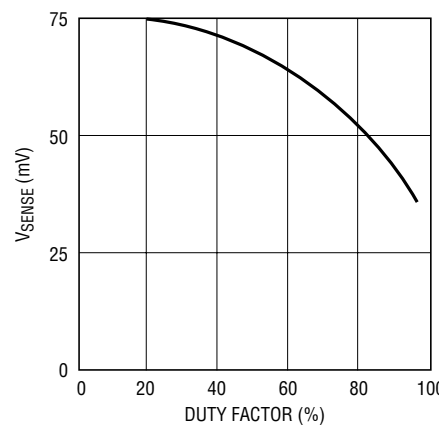
1876 G06

**Internal 5V LDO Line Regulation**



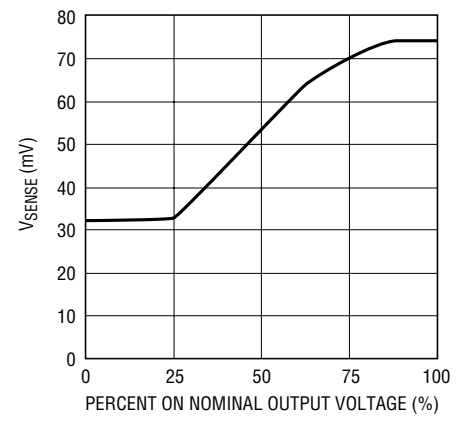
1876 G07

**Maximum Current Sense Threshold vs Duty Factor**



1876 G08

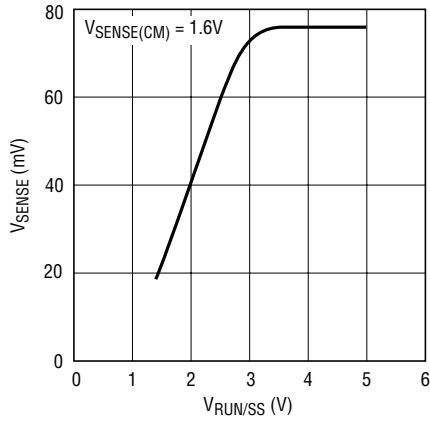
**Maximum Current Sense Threshold vs Percent of Nominal Output Voltage (Foldback)**



1876 G09

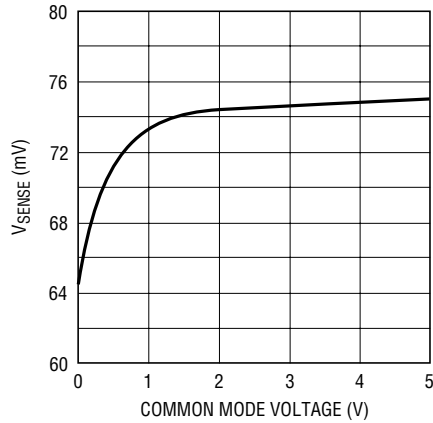
# TYPICAL PERFORMANCE CHARACTERISTICS

**Maximum Current Sense Threshold vs  $V_{RUN/SS}$  (Soft-Start)**



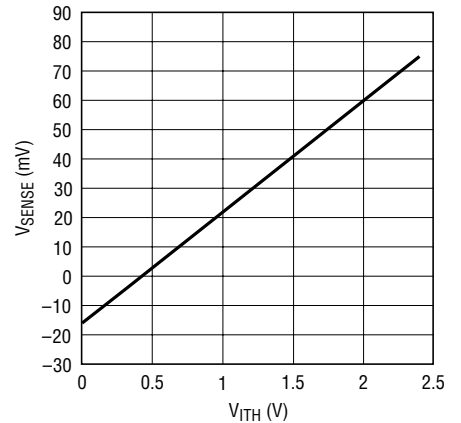
1876 G10

**Maximum Current Sense Threshold vs Sense Common Mode Voltage**



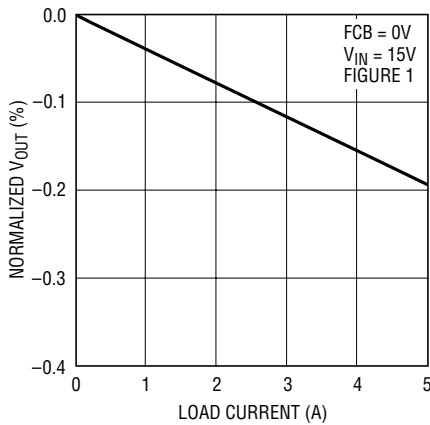
1876 G11

**Current Sense Threshold vs  $I_{TH}$  Voltage**



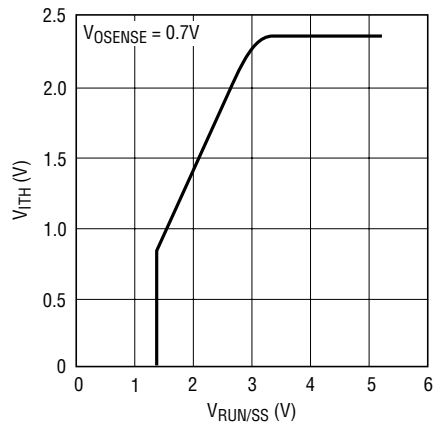
1876 G12

**Load Regulation (Controller)**



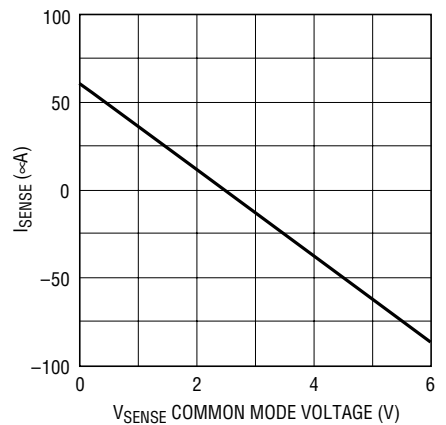
1876 G13

**$V_{I_{TH}}$  vs  $V_{RUN/SS}$**



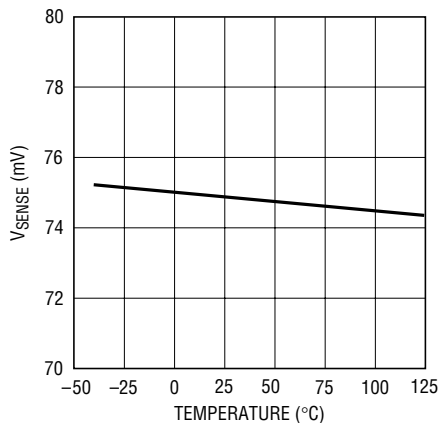
1876 G14

**SENSE Pins Total Source Current**



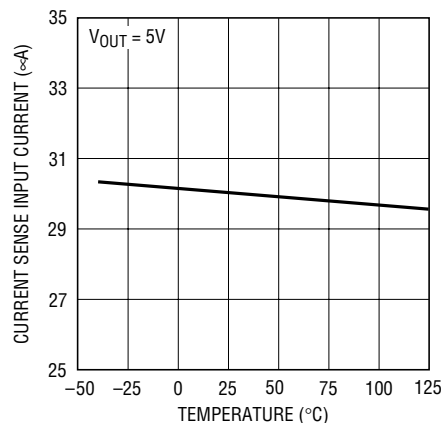
1876 G15

**Maximum Current Sense Threshold vs Temperature**



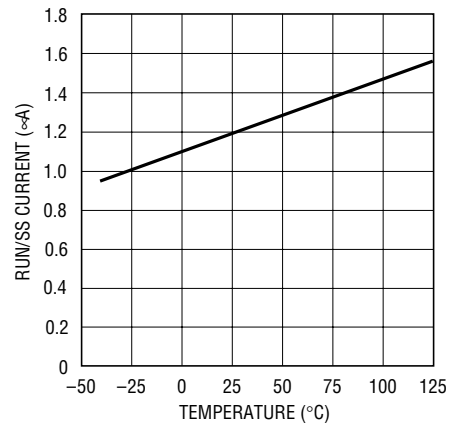
1876 G16

**Current Sense Pin Input Current vs Temperature**



1876 G17

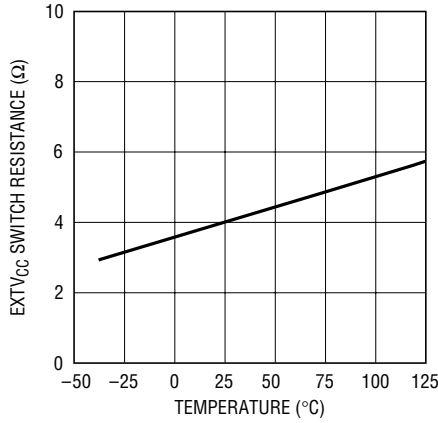
**RUN/SS Current vs Temperature**



1876 G18

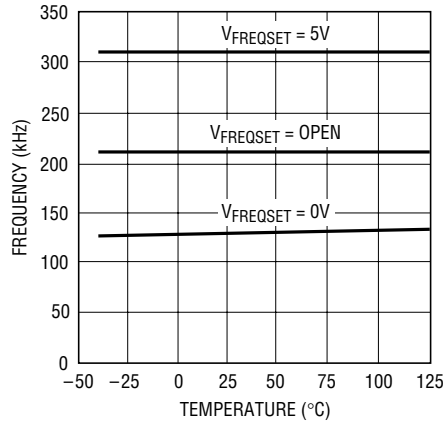
# TYPICAL PERFORMANCE CHARACTERISTICS

**EXTV<sub>CC</sub> and Switch Resistance vs Temperature**



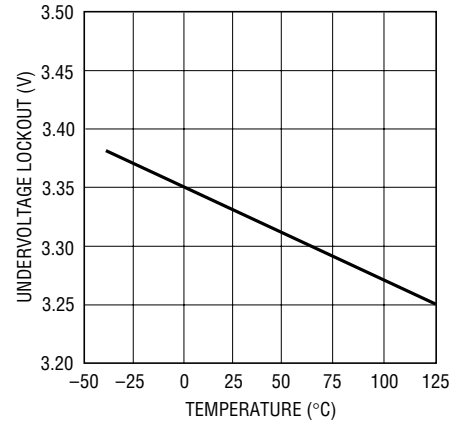
1876 G19

**Oscillator Frequency vs Temperature (Controller)**



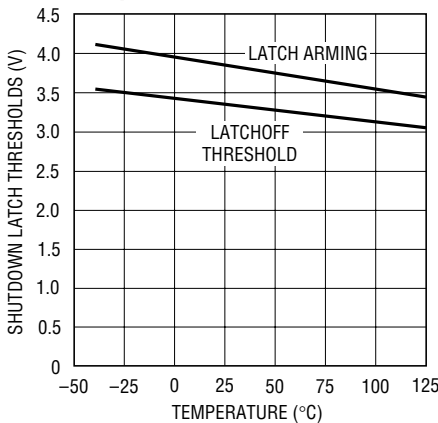
1876 G20

**Undervoltage Lockout vs Temperature (Controller)**



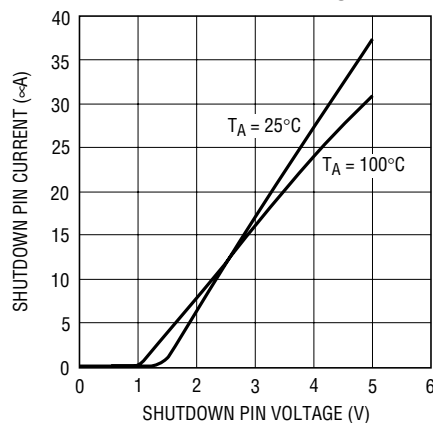
1876 G21

**Shutdown Latch Thresholds vs Temperature**



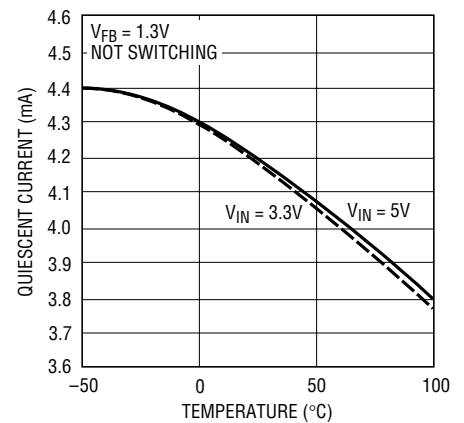
1876 G22

**Shutdown Pin Current (I<sub>AUXVFB</sub>)**



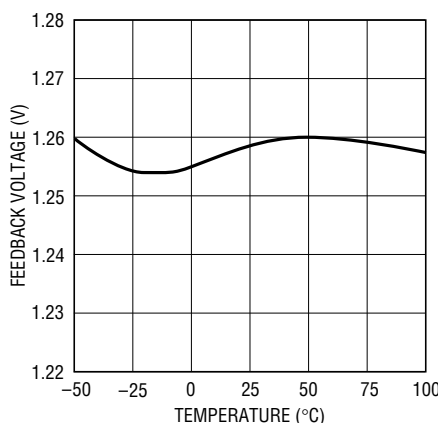
1876 G23

**Quiescent Current for Auxillary Regulator**



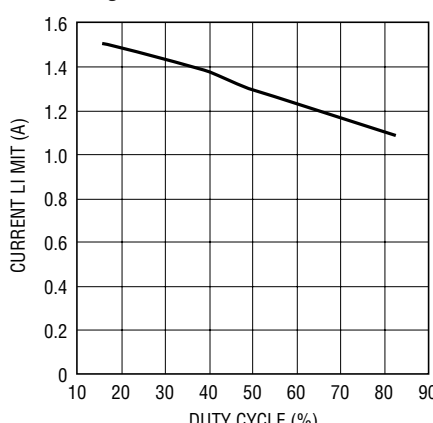
1876 G24

**Feedback Pin Voltage (AUXV<sub>FB</sub>)**



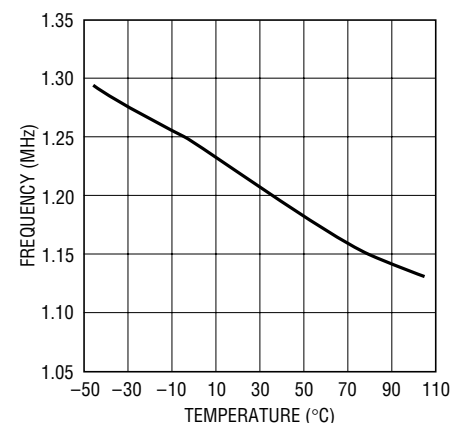
1876 G25

**Current Limit for Auxillary Regulator**



1876 G26

**Auxillary Regulator Switch Oscillator Frequency**

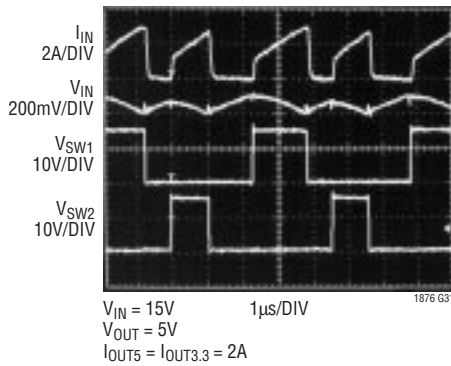


1876 G28

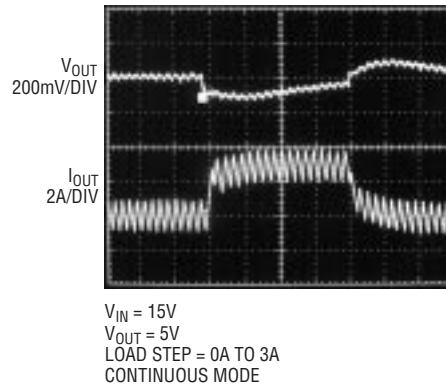


## TYPICAL PERFORMANCE CHARACTERISTICS

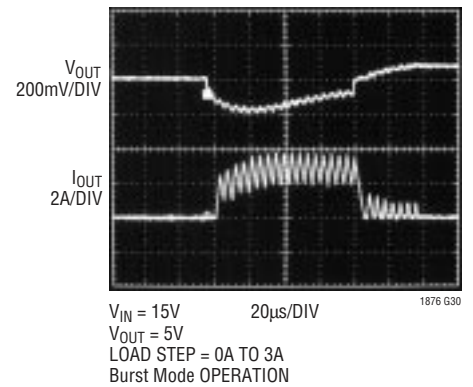
**Input Source/Capacitor  
Instantaneous Current (Figure 1)**



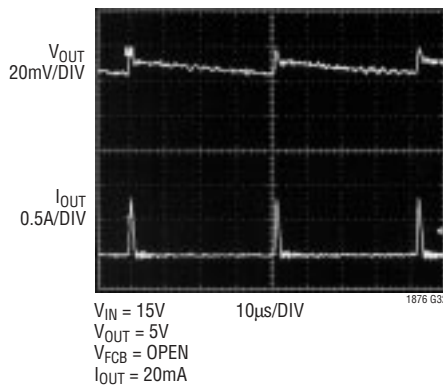
**Load Step (Figure 1)**



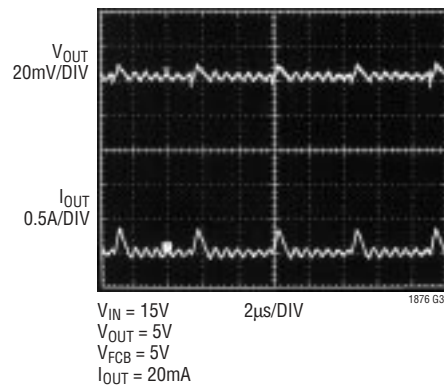
**Load Step (Figure 1)**



**Burst Mode Operation (Figure 1)**



**Constant Frequency (Burst  
Inhibit) Operation (Figure 1)**



## PIN FUNCTIONS

**RUN/SS1, RUN/SS2 (Pins 1, 23):** Combination of Soft-Start, Run Control Inputs and Short-Circuit Detection Timers. A capacitor to ground at each of these pins sets the ramp time to full output current. Forcing either of these pins back below 1V causes the IC to shut down the circuitry required for that particular controller. Latchoff overcurrent protection is also invoked via this pin as described in the Applications Information section.

**SENSE1+, SENSE2+ (Pins 2, 14):** The (+) Input to each Differential Current Comparator. The  $I_{TH}$  pin voltage and controlled offsets between the SENSE<sup>-</sup> and SENSE<sup>+</sup> pins in conjunction with  $R_{SENSE}$  set the current trip threshold.

**SENSE1-, SENSE2- (Pins 3, 13):** The (-) Input to the Differential Current Comparators.

**V<sub>SENSE1</sub>, V<sub>SENSE2</sub> (Pins 4, 12):** Receives the remotely-sensed feedback voltage for each controller from an external resistive divider across the output.

**FREQSET (Pin 5):** Frequency Control Input to the Oscillator. This pin can be left open, tied to ground, tied to  $INTV_{CC}$  or driven by an external voltage source. This pin can also be used with an external phase detector to build a true phase-locked loop.

**STBYMD (Pin 6):** Control pin that determines which circuitry remains active when the controllers are shut down and/or

1876fa



## PIN FUNCTIONS

provides a common control point to shut down both controllers. See the Operation section for details.

**FCB (Pin 7):** Forced Continuous Control Input. This input acts on both controllers and is normally used to regulate a secondary winding. Pulling this pin below 0.8V will force continuous synchronous operation on both controllers. Do not leave this pin floating.

**I<sub>TH1</sub>, I<sub>TH2</sub> (Pins 8, 11):** Error Amplifier Output and Switching Regulator Compensation Point. Each associated channel's current comparator trip point increases with this control voltage.

**SGND (Pin 9):** Small signal ground common to both controllers, must be routed separately from high current grounds to the common (–) terminals of the C<sub>OUT</sub> capacitors.

**3.3V<sub>OUT</sub> (Pin 10):** Output of a linear regulator capable of supplying up to 10mA DC with peak currents as high as 50mA.

**AUXSGND (Pin 15):** Small Signal Ground of the Auxiliary Boost Regulator.

**AUXV<sub>FB</sub> (Pin 16):** Auxiliary Boost Regulator Feedback Voltage. This pin receives the feedback voltage from an external resistive divider across the auxiliary output.

**AUXSW (Pins 17, 18):** Switch Node Connections to Inductor for the Auxiliary Regulator. Voltage swing at these pins are from ground to (V<sub>OUT</sub> + voltage across Schottky diode). Minimize trace area at these pins to keep EMI down.

**AUXPGND (Pins 19, 20):** The Auxiliary Power Ground Pins. Its gate drive currents are returned to these pin.

**AUXV<sub>IN</sub> (Pin 21):** Auxiliary Boost Regulator Controller Supply Pin. Must be closely decoupled to AUXPGND.

**AUXSD (Pin 22):** Shutdown Pin for the Auxiliary Regulator. Connect to 2.4V or more to enable the auxiliary regulator or ground to shut the auxiliary regulator off.

**TG1, TG2 (Pins 35, 24):** High Current Gate Drives for Top N-Channel MOSFETs. These are the outputs of floating drivers with a voltage swing equal to INTV<sub>CC</sub> – 0.5V superimposed on the switch node voltage SW.

**SW1, SW2 (Pins 34, 25):** Switch Node Connections to Inductors. Voltage swing at these pins is from a Schottky diode (external) voltage drop below ground to V<sub>IN</sub>.

**BOOST1, BOOST2 (Pins 33, 26):** Bootstrapped Supplies to the Top Side Floating Drivers. Capacitors are connected between the boost and switch pins and Schottky diodes are tied between the boost and INTV<sub>CC</sub> pins. Voltage swing at the boost pins is from INTV<sub>CC</sub> to (V<sub>IN</sub> + INTV<sub>CC</sub>).

**BG1, BG2 (Pins 31, 27):** High Current Gate Drives for Bottom (synchronous) N-Channel MOSFETs. Voltage swing at these pins is from ground to INTV<sub>CC</sub>.

**PGND (Pin 28):** Driver Power Ground. Connects to sources of bottom (synchronous) N-channel MOSFETs, anode of the Schottky rectifier and the (–) terminal(s) of C<sub>IN</sub>.

**INTV<sub>CC</sub> (Pin 29):** Output of the Internal 5V Linear Low Dropout Regulator and the EXTV<sub>CC</sub> Switch. The driver and control circuits are powered from this voltage source. Must be decoupled to power ground with a minimum of 4.7μF tantalum or other, low ESR capacitor. The INTV<sub>CC</sub> regulator standby operation is determined by the STBYMD pin.

**EXTV<sub>CC</sub> (Pin 30):** External Power Input to an Internal Switch Connected to INTV<sub>CC</sub>. This switch closes and supplies V<sub>CC</sub> power, bypassing the internal low dropout regulator, whenever EXTV<sub>CC</sub> is higher than 4.7V. See EXTV<sub>CC</sub> connection in Applications section. **Do not exceed 7V on this pin.**

**V<sub>IN</sub> (Pin 32):** Main Supply Pin. A bypass capacitor should be tied between this pin and the signal ground pin.

**PGOOD (Pin 36):** Open-Drain Logic Output. PGOOD is pulled to ground when the voltage on either V<sub>OSENSE</sub> pin is not within 7.5% of its setpoint.

FUNCTIONAL DIAGRAM

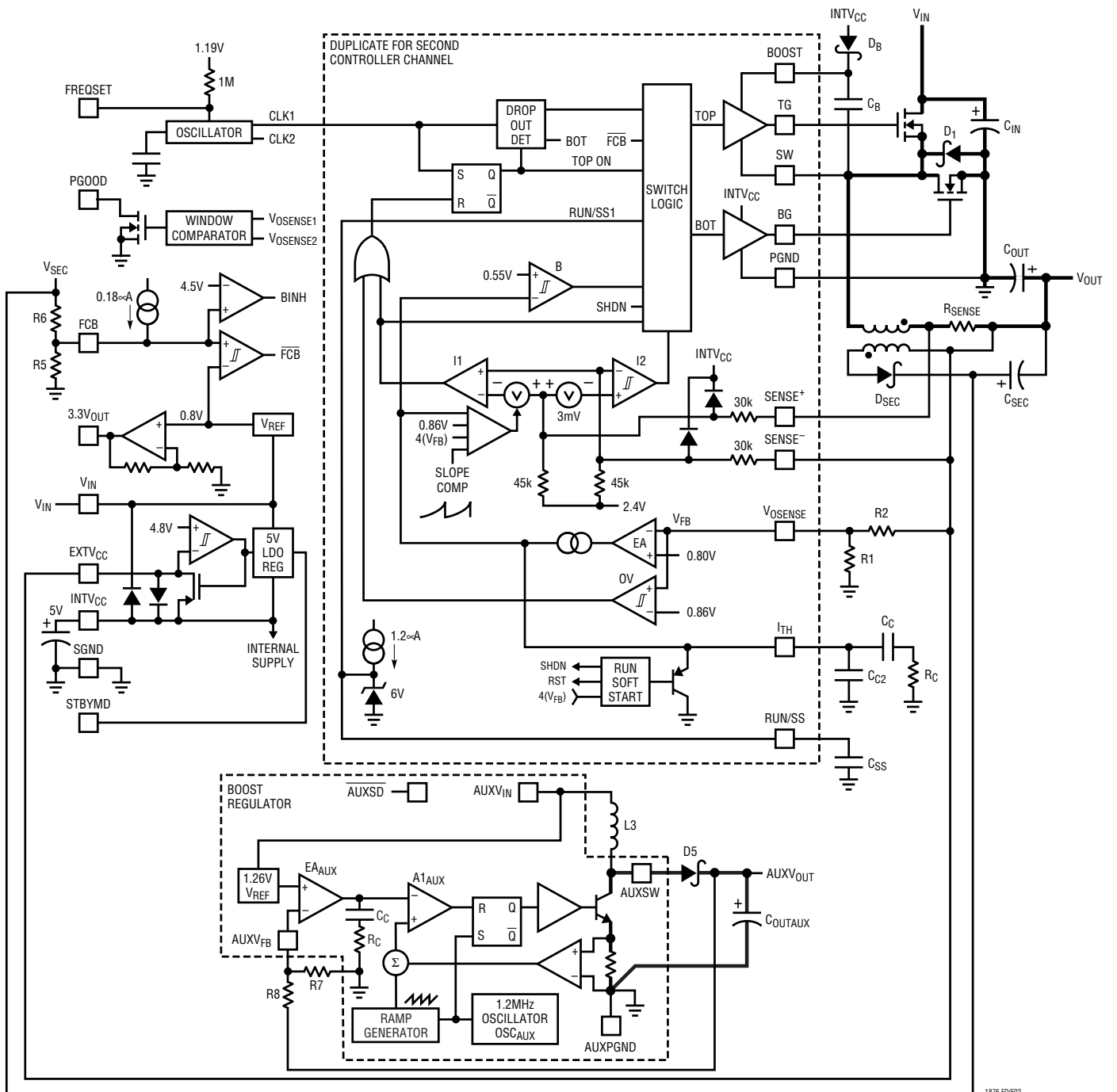


Figure 2

1876 FD/02

## OPERATION (Refer to Functional Diagram)

### Main Control Loop

The LTC1876 uses a constant frequency, current mode scheme to provide excellent line and load regulation for all its outputs. The step-down controllers have two of its switch drivers operating at 180 degrees out of phase from each other. During normal operation, each top MOSFET is turned on when the clock for that channel sets the  $R_S$  latch, and turned off when the main current comparator, I1, resets the  $R_S$  latch. The peak inductor current at which I1 resets the  $R_S$  latch is controlled by the voltage on the  $I_{TH}$  pin, which is the output of each error amplifier EA. The  $V_{OSENSE}$  pin receives the voltage feedback signal, which is compared to the internal reference voltage by the EA. When the load current increases, it causes a slight decrease in  $V_{OSENSE}$  relative to the 0.8V reference, which in turn causes the  $I_{TH}$  voltage to increase until the average inductor current matches the new load current. After the top MOSFET has turned off, the bottom MOSFET is turned on until either the inductor current starts to reverse, as indicated by current comparator I2, or the beginning of the next cycle.

The top MOSFET drivers are biased from floating bootstrap capacitor  $C_B$ , which normally is recharged during each off cycle through an external diode when the top MOSFET turns off. As  $V_{IN}$  decreases to a voltage close to  $V_{OUT}$ , the loop may enter dropout and attempt to turn on the top MOSFET continuously. The dropout detector detects this and forces the top MOSFET off for about 500ns every tenth cycle to allow  $C_B$  to recharge.

The main control loop is shut down by pulling the RUN/SS pin low. Releasing RUN/SS allows an internal 1.2 $\mu$ A current source to charge soft-start capacitor  $C_{SS}$ . When  $C_{SS}$  reaches 1.5V, the main control loop is enabled with the  $I_{TH}$  voltage clamped at approximately 30% of its maximum value. As  $C_{SS}$  continues to charge, the  $I_{TH}$  pin voltage is gradually released allowing normal, full-current operation. When both RUN/SS1 and RUN/SS2 are low, all LTC1876 controller functions are shut down, and the STBYMD pin determines if the standby 5V and 3.3V regulators are kept alive.

### AUX Regulator

The auxiliary boost regulator is completely independent from other LTC1876 circuits. It can be operated even though the LTC1876 step-down controllers are in shutdown. The operation of the boost regulator is similar to the controllers. The oscillator,  $OSC_{AUX}$ , sets the  $R_S$  latch and turns on the monolithic power switch. A voltage proportional to the switch current is added to a stabilizing ramp and the resulting sum is fed into the positive terminal of the PWM comparator,  $A1_{AUX}$ . When this voltage exceeds the level at the negative input of  $A1_{AUX}$ , the SR latch is reset, turning off the power switch. The level at the negative input of  $A1_{AUX}$  is set by the error amplifier  $EA_{AUX}$  and is simply an amplified version of the difference between the feedback voltage and the reference voltage. Hence the error amplifier sets the correct peak current level to keep the output in regulation. To protect the power switch from excessive current, a 1A minimum limit is internally set. When the switch reaches this limit, it will force the latch to reset, turning it off. Applying a voltage less than 0.5V on the shutdown pin will put the boost regulator in shutdown.

### Low Current Operation

The FCB pin is a multifunction pin providing two functions: 1) to provide regulation for a secondary winding by temporarily forcing continuous PWM operation on both controllers; and 2) select between *two* modes of low current operation. When the FCB pin voltage is below 0.8V, the controller forces continuous PWM current operation. In this mode, the top and bottom MOSFETs are alternately turned on to maintain the output voltage independent of direction of inductor current. When the FCB pin is below  $V_{INTVCC} - 2V$  but greater than 0.8V, the controller enters Burst Mode operation. Burst Mode operation sets a minimum output current level before turning off the top switch and turns off the synchronous MOSFET(s) when the inductor current goes negative. This combination of requirements will, at low currents, force the  $I_{TH}$  pin below a voltage threshold that will temporarily inhibit turn-on of both output MOSFETs until the output voltage drops slightly. There is 60mV of hysteresis in the burst comparator B tied to the  $I_{TH}$  pin. This hysteresis produces output signals to the MOSFETs that turn them on for several

## OPERATION (Refer to Functional Diagram)

cycles, followed by a variable “sleep” interval depending upon the load current. The resultant output voltage ripple is held to a very small value by having the hysteretic comparator after the error amplifier gain block.

### Constant Frequency Operation

When the FCB pin is tied to INTV<sub>CC</sub>, Burst Mode operation is disabled and the forced minimum output current requirement is removed. This provides constant frequency, discontinuous (preventing reverse inductor current) current operation over the widest possible output current range. This constant frequency operation is not as efficient as Burst Mode operation, but does provide a lower noise, constant frequency operating mode down to approximately 1% of designed maximum output current.

### Constant Current (PWM) Operation

Tying the FCB pin to ground will force continuous current operation. This is the least efficient operating mode, but may be desirable in certain applications. The output can source or sink current in this mode. When sinking current while in forced continuous operation, current will be forced back into the main power supply potentially boosting the input supply to dangerous voltage levels—BEWARE!

### Frequency Setting

The FREQSET pin provides frequency adjustment to the controllers’ internal oscillator from approximately 140kHz to 310kHz. This input is nominally biased through an internal resistor to the 1.19V reference, setting the oscillator frequency to approximately 220kHz. This pin can be driven from an external AC or DC signal source to control the instantaneous frequency of the oscillator. The auxiliary boost regulator operates at a constant 1.2MHz frequency.

### INTV<sub>CC</sub>/EXTV<sub>CC</sub> Power

Power for the top and bottom MOSFET drivers and most other internal circuitry is derived from the INTV<sub>CC</sub> pin. When the EXTV<sub>CC</sub> pin is left open, an internal 5V low dropout linear regulator supplies INTV<sub>CC</sub> power. If EXTV<sub>CC</sub> is taken above 4.7V, the 5V regulator is turned off and an internal switch is turned on connecting EXTV<sub>CC</sub> to INTV<sub>CC</sub>.

This allows the INTV<sub>CC</sub> power to be derived from a high efficiency external source such as the output of the regulator itself or a secondary winding, as described in Applications Information.

### Standby Mode Pin

The STBYMD pin is a three-state input that controls common circuitry within the IC as follows: When the STBYMD pin is held at ground, both controller RUN/SS pins are pulled to ground providing a single control pin to shut down both controllers. When the pin is left open, the internal RUN/SS currents are enabled to charge the RUN/SS capacitor(s), allowing the turn-on of either controller and activating necessary common internal biasing. When the STBYMD pin is taken above 2V, both internal linear regulators are turned on independent of the state of the two switching regulator controllers, providing output power to “wake-up” other circuitry. Decouple the pin with a small capacitor (0.01μF) to ground if the pin is not connected to a DC potential.

### Output Overvoltage Protection

An overvoltage comparator, OV, guards against transient overshoots (>7.5%) as well as other more serious conditions that may overvoltage the output. In this case, the top MOSFET is turned off and the bottom MOSFET is turned on until the overvoltage condition is cleared.

### Power Good (PGOOD) Pin

The PGOOD pin is connected to an open drain of an internal MOSFET. The MOSFET turns on and pulls the pin low when both the outputs are not within ±7.5% of their nominal output levels as determined by their resistive feedback dividers. When both controller outputs meet the ±7.5% requirement, the MOSFET is turned off within 10μs and the pin is allowed to be pulled up by an external resistor to a source of up to 7V. The auxiliary regulator’s output is not monitored.

### Foldback Current, Short-Circuit Detection and Short-Circuit Latchoff

The RUN/SS capacitors are used initially to limit the inrush current of each step-down switching regulator. After the

## OPERATION (Refer to Functional Diagram)

controller has been started and been given adequate time to charge up the output capacitors and provide full-load current, the RUN/SS capacitor is used as a short-circuit time-out circuit. If the output voltage falls to less than 70% of its nominal output voltage, the RUN/SS capacitor begins discharging on the assumption that the output is in an overcurrent and/or short-circuit condition. If the condition lasts for a long enough period as determined by the size of the RUN/SS capacitor, both controllers will be shut down until the RUN/SS pin(s) voltage(s) are recycled. This built-in latching can be overridden by providing a  $>5\mu\text{A}$  pull-up at a compliance of 5V to the RUN/SS pin(s). This current shortens the soft start period but also prevents net discharge of the RUN/SS capacitor(s) during an overcurrent and/or short-circuit condition. Foldback current limiting is also activated when the output voltage falls below 70% of its nominal level whether or not the short-circuit latching circuit is enabled. Even if a short is present and the short-circuit latching is not enabled, a safe, low output current is provided due to internal current foldback and actual power wasted is low due to the efficient nature of the current mode switching regulator.

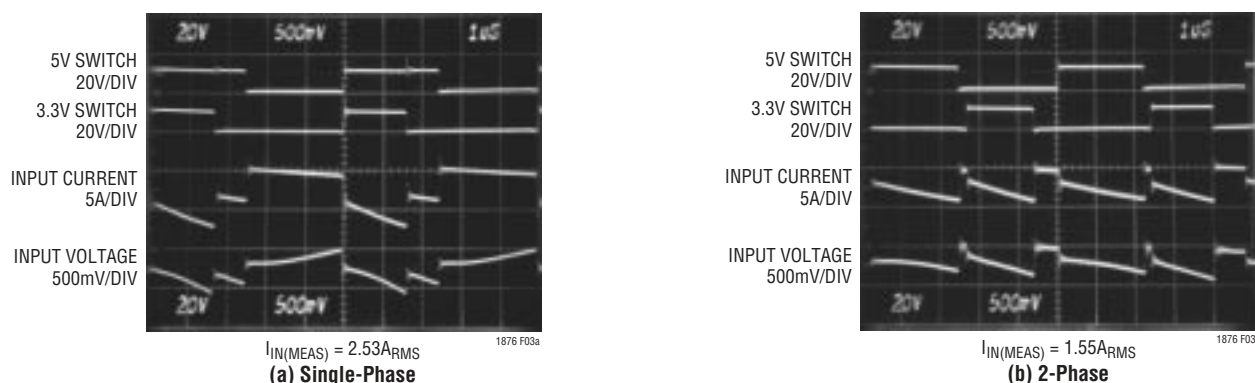
### Theory and Benefits of 2-Phase Operation

The LTC1876 dual high efficiency DC/DC controller brings the considerable benefits of 2-phase operation to portable applications for the first time. Notebook computers, PDAs, handheld terminals and automotive electronics will all benefit from the lower input filtering requirement, reduced electromagnetic interference (EMI) and increased efficiency associated with 2-phase operation.

Why the need for 2-phase operation? In most dual constant-frequency switching regulators, both regulators are operated in phase (i.e., single-phase operation). This means that both switches turned on at the same time, causing current pulses of up to twice the amplitude of those for one regulator to be drawn from the input capacitor and battery. These large amplitude current pulses increased the total RMS current flowing from the input capacitor, requiring the use of more expensive input capacitors and increasing both EMI and losses in the input capacitor and battery.

With 2-phase operation, the two channels of the dual-switching regulator are operated 180 degrees out of phase. This effectively interleaves the current pulses coming from the switches, greatly reducing the overlap time where they add together. *The result is a significant reduction in total RMS input current, which in turn allows less expensive input capacitors to be used, reduces shielding requirements for EMI and improves real world operating efficiency.*

Figure 3 compares the input waveforms for a representative single-phase dual switching regulator to the LTC1876 2-phase dual switching regulator. An actual measurement of the RMS input current under these conditions shows that 2-phase operation dropped the input current from  $2.53\text{A}_{\text{RMS}}$  to  $1.55\text{A}_{\text{RMS}}$ . While this is an impressive reduction in itself, remember that the power losses are proportional to  $I_{\text{RMS}}^2$ , meaning that the actual power wasted is reduced by a factor of 2.66. The reduced input ripple voltage also means less power is lost in the input power



**Figure 3. Input Waveforms Comparing Single-Phase (a) and 2-Phase (b) Operation for Dual Switching Regulators Converting 12V to 5V and 3.3V at 3A Each. The Reduced Input Ripple with the LTC1876 2-Phase Regulator Allows Less Expensive Input Capacitors, Reduces Shielding Requirements for EMI and Improves Efficiency**

1876fa



## OPERATION (Refer to Functional Diagram)

path, which could include batteries, switches, trace/connector resistances and protection circuitry. Improvements in both conducted and radiated EMI also directly accrue as a result of the reduced RMS input current and voltage.

Of course, the improvement afforded by 2-phase operation is a function of the dual switching regulator's relative duty cycles which, in turn, are dependent upon the input voltage  $V_{IN}$  ( $Duty\ Cycle = V_{OUT}/V_{IN}$ ). Figure 4 shows how the RMS input current varies for single-phase and 2-phase operation for 3.3V and 5V regulators over a wide input voltage range.

It can readily be seen that the advantages of 2-phase operation are not just limited to a narrow operating range, but in fact extend over a wide region. A good rule of thumb for most applications is that 2-phase operation will reduce

the input capacitor requirement to that for just one channel operating at maximum current and 50% duty cycle.

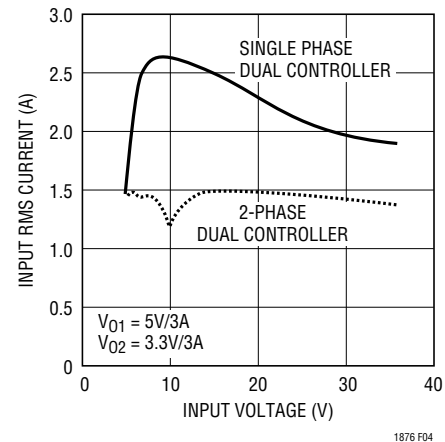


Figure 4. RMS Input Current Comparison

## APPLICATIONS INFORMATION

Figure 1 on the first page is a basic LTC1876 application circuit. For the step-down regulators, the external component selection is driven by the load requirement, and begins with the selection of  $R_{SENSE}$ . Once  $R_{SENSE}$  is known,  $L$  can be chosen. Next, the power MOSFETs and D1 are selected. Finally,  $C_{IN}$  and  $C_{OUT}$  are selected. The circuit shown in Figure 1 can be configured for operation up to an input voltage of 28V (limited by the external MOSFETs). For the step-up regulator, its component selection is much simpler. A 4.7 $\mu$ H or 10 $\mu$ H inductor that can handle at least 1A without saturating will work well with most design. A Schottky diode is recommended and a MBR0520 from ON Semiconductor is a very good choice.

### $R_{SENSE}$ Selection For Output Current

$R_{SENSE}$  is chosen based on the required output current. The LTC1876 current comparator has a maximum threshold of  $75mV/R_{SENSE}$  and an input common mode range of SGND to  $1.1(INTV_{CC})$ . The current comparator threshold sets the peak of the inductor current, yielding a maximum average output current  $I_{MAX}$  equal to the peak value less half the peak-to-peak ripple current,  $\Delta I_L$ .

Allowing a margin for variations in the LTC1876 and external component values yields:

$$R_{SENSE} = \frac{50mV}{I_{MAX}}$$

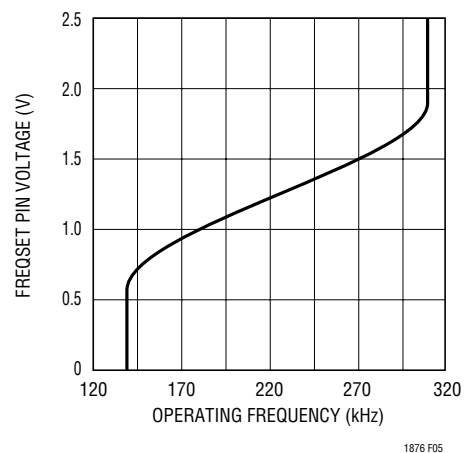


Figure 5. FREQSET Pin Voltage vs Frequency

## APPLICATIONS INFORMATION

### Selection of Operating Frequency

The LTC1876 uses a constant frequency architecture with the frequency determined by an internal oscillator capacitor. This internal capacitor is charged by a fixed current plus an additional current that is proportional to the voltage applied to the FREQSET pin.

A graph for the voltage applied to the FREQSET pin vs frequency is given in Figure 5. As the operating frequency is increased the gate charge losses will be higher, reducing efficiency (see Efficiency Considerations). The maximum switching frequency is approximately 310kHz.

### Inductor Value Calculation

The operating frequency and inductor selection are inter-related in that higher operating frequencies allow the use of smaller inductor and capacitor values. So why would anyone ever choose to operate at lower frequencies with larger components? The answer is efficiency. A higher frequency generally results in lower efficiency because of MOSFET gate charge losses. In addition to this basic trade-off, the effect of inductor value on ripple current and low current operation must also be considered.

The inductor value has a direct effect on ripple current. The inductor ripple current  $\Delta I_L$  decreases with higher inductance or frequency and increases with higher  $V_{IN}$  or  $V_{OUT}$ :

$$\Delta I_L = \frac{1}{(f)(L)} V_{OUT} \left( 1 - \frac{V_{OUT}}{V_{IN}} \right)$$

Accepting larger values of  $\Delta I_L$  allows the use of low inductances, but results in higher output voltage ripple and greater core losses. A reasonable starting point for setting ripple current is  $\Delta I_L = 0.3(I_{MAX})$ . Remember, the maximum  $\Delta I_L$  occurs at the maximum input voltage.

The inductor value also has secondary effects. The transition to Burst Mode operation begins when the average inductor current required results in a peak current below 25% of the current limit determined by  $R_{SENSE}$ . Lower inductor values (higher  $\Delta I_L$ ) will cause this to occur at lower load currents, which can cause a dip in efficiency in the upper range of low current operation. In Burst Mode

operation, lower inductance values will cause the burst frequency to decrease.

### Inductor Core Selection

Once the value for L is known, the type of inductor must be selected. High efficiency converters generally cannot afford the core loss found in low cost powdered iron cores, forcing the use of more expensive ferrite, molypermalloy, or Kool M $\mu$ ® cores. Actual core loss is independent of core size for a fixed inductor value, but it is very dependent on inductance selected. As inductance increases, core losses go down. Unfortunately, increased inductance requires more turns of wire and therefore copper losses will increase.

Ferrite designs have very low core loss and are preferred at high switching frequencies, so design goals can concentrate on copper loss and preventing saturation. Ferrite core material saturates “hard,” which means that inductance collapses abruptly when the peak design current is exceeded. This results in an abrupt increase in inductor ripple current and consequent output voltage ripple. Do not allow the core to saturate!

Molypermalloy (from Magnetics, Inc.) is a very good, low loss core material for toroids, but it is more expensive than ferrite. A reasonable compromise from the same manufacturer is Kool M $\mu$ . Toroids are very space efficient, especially when you can use several layers of wire. Because they generally lack a bobbin, mounting is more difficult. However, designs for surface mount are available that do not increase the height significantly.

### Power MOSFET and D1 Selection

Two external power MOSFETs must be selected for each controller with the LTC1876: One N-channel MOSFET for the top (main) switch, and one N-channel MOSFET for the bottom (synchronous) switch.

The peak-to-peak drive levels are set by the  $INTV_{CC}$  voltage. This voltage is typically 5V during start-up (see  $EXTV_{CC}$  Pin Connection). Consequently, logic-level threshold MOSFETs must be used in most applications. The only exception is if low input voltage is expected ( $V_{IN} < 5V$ );

Kool M $\mu$  is a registered trademark of Magnetics, Inc.



## APPLICATIONS INFORMATION

then, sub-logic level threshold MOSFETs ( $V_{GS(TH)} < 3V$ ) should be used. Pay close attention to the  $BV_{DSS}$  specification for the MOSFETs as well; most of the logic level MOSFETs are limited to 30V or less.

Selection criteria for the power MOSFETs include the “ON” resistance  $R_{DS(ON)}$ , reverse transfer capacitance  $C_{RSS}$ , input voltage and maximum output current. When the LTC1876 is operating in continuous mode the duty cycles for the top and bottom MOSFETs are given by:

$$\text{Main Switch Duty Cycle} = \frac{V_{OUT}}{V_{IN}}$$

$$\text{Synchronous Switch Duty Cycle} = \frac{V_{IN} - V_{OUT}}{V_{IN}}$$

The MOSFET power dissipations at maximum output current are given by:

$$P_{MAIN} = \frac{V_{OUT}}{V_{IN}} (I_{MAX})^2 (1 + \delta) R_{DS(ON)} + k(V_{IN})^2 (I_{MAX}) (C_{RSS}) (f)$$

$$P_{SYNC} = \frac{V_{IN} - V_{OUT}}{V_{IN}} (I_{MAX})^2 (1 + \delta) R_{DS(ON)}$$

where  $\delta$  is the temperature dependency of  $R_{DS(ON)}$  and  $k$  is a constant inversely related to the gate drive current.

Both MOSFETs have  $I^2R$  losses while the topside N-channel equation includes an additional term for transition losses, which are highest at high input voltages. For  $V_{IN} < 20V$  the high current efficiency generally improves with larger MOSFETs, while for  $V_{IN} > 20V$  the transition losses rapidly increase to the point that the use of a higher  $R_{DS(ON)}$  device with lower  $C_{RSS}$  actually provides higher efficiency. The synchronous MOSFET losses are greatest at high input voltage when the top switch duty factor is low or during a short-circuit when the synchronous switch is on close to 100% of the period.

The term  $(1 + \delta)$  is generally given for a MOSFET in the form of a normalized  $R_{DS(ON)}$  vs temperature curve, but  $\delta = 0.005/^\circ C$  can be used as an approximation for low voltage MOSFETs.  $C_{RSS}$  is usually specified in the MOSFET characteristics. The constant  $k = 1.7$  can be used to estimate the contributions of the two terms in the main switch dissipation equation.

The Schottky diode D1 shown in Figure 1 conducts during the dead-time between the conduction of the two power MOSFETs. This prevents the body diode of the bottom MOSFET from turning on, storing charge during the dead-time and requiring a reverse recovery period that could cost as much as 3% in efficiency at high  $V_{IN}$ . A 1A to 3A Schottky is generally a good compromise for both regions of operation due to the relatively small average current. Larger diodes result in additional transition losses due to their larger junction capacitance.

### $C_{IN}$ Selection

The selection of  $C_{IN}$  is simplified by the multiphase architecture and its impact on the worst-case RMS current drawn through the input network (battery/fuse/capacitor). It can be shown that the worst case RMS current occurs when only one controller is operating. The controller with the highest  $(V_{OUT})(I_{OUT})$  product needs to be used in the formula below to determine the maximum RMS current requirement. Increasing the output current, drawn from the other out-of-phase controller, will actually decrease the RMS ripple current from this maximum value (see Figure 4). The out-of-phase technique typically reduces the input capacitor’s RMS ripple current by a factor of 30% to 70% when compared to a single phase power supply solution.

The type of input capacitor, value and ESR rating have efficiency effects that need to be considered in the selection process. The capacitance value chosen should be sufficient to store adequate charge to keep high peak battery currents down. 20 $\mu F$  to 40 $\mu F$  is usually sufficient for a 25W output supply operating at 200kHz. The ESR of the capacitor is important for capacitor power dissipation as well as overall battery efficiency. All of the power (RMS ripple current • ESR) not only heats up the capacitor but wastes power from the battery.

## APPLICATIONS INFORMATION

Medium voltage (20V to 35V) ceramic, tantalum, OS-CON and switcher-rated electrolytic capacitors can be used as input capacitors, but each has drawbacks: ceramic voltage coefficients are very high and may have audible piezoelectric effects; tantalums need to be surge-rated; OS-CONs suffer from higher inductance, larger case size and limited surface-mount applicability; electrolytics' higher ESR and dryout possibility require several to be used. Multiphase systems allow the lowest amount of capacitance overall. As little as one 22 $\mu$ F or two to three 10 $\mu$ F ceramic capacitors are an ideal choice in a 20W to 35W power supply due to their extremely low ESR. Even though the capacitance at 20V is substantially below their rating at zero-bias, very low ESR loss makes ceramics an ideal candidate for highest efficiency battery operated systems. Also consider parallel ceramic and high quality electrolytic capacitors as an effective means of achieving ESR and bulk capacitance goals.

In continuous mode, the source current of the top N-channel MOSFET is a square wave of duty cycle  $V_{OUT}/V_{IN}$ . To prevent large voltage transients, a low ESR input capacitor sized for the maximum RMS current of one channel must be used. The maximum RMS capacitor current is given by:

$$C_{IN} \text{ Required } I_{RMS} \approx I_{MAX} \frac{[V_{OUT}(V_{IN} - V_{OUT})]^{1/2}}{V_{IN}}$$

This formula has a maximum at  $V_{IN} = 2V_{OUT}$ , where  $I_{RMS} = I_{OUT}/2$ . This simple worst case condition is commonly used for design because even significant deviations do not offer much relief. Note that capacitor manufacturer's ripple current ratings are often based on only 2000 hours of life. This makes it advisable to further derate the capacitor, or to choose a capacitor rated at a higher temperature than required. Several capacitors may also be paralleled to meet size or height requirements in the design. Always consult the manufacturer if there is any question.

The benefit of the LTC1876 multiphase controllers can be calculated by using the equation above for the higher power controller and then calculating the loss that would have resulted if both controller channels switch on at the same time. The total RMS power lost is lower when both

controllers are operating due to the reduced overlap of current pulses required through the input capacitor's ESR. This is why the input capacitor's requirement calculated above for the worst-case controller is adequate for the dual controller design. Remember that protection fuse resistance, battery resistance and PC board trace resistance losses are also reduced due to the reduced peak currents in a multiphase system. *The overall benefit of a multiphase design will only be fully realized when the source impedance of the power supply/battery is included in the efficiency testing.* The drains of the two top MOSFETS should be placed within 1cm of each other and share a common  $C_{IN}(s)$ . Separating the drains and  $C_{IN}$  may produce undesirable voltage and current resonances at  $V_{IN}$ .

For the boost regulator, the ripple requirement for the input capacitor is less stringent. If the supply to the regulator is obtained from one of the LTC1876 step-down outputs, a 1 $\mu$ F to 4.7 $\mu$ F ceramic capacitor is sufficient. However, if the step-down output is within close proximity (< 1cm) to the boost supply input, there is no need for the capacitor.

### $C_{OUT}$ Selection

The selection of  $C_{OUT}$  is driven by the required effective series resistance (ESR). Typically once the ESR requirement is satisfied the capacitance is adequate for filtering. For the step-down regulators, the output ripple ( $\Delta V_{OUT}$ ) is determined by:

$$\Delta V_{OUT} \approx \Delta I_L \left( \text{ESR} + \frac{1}{8fC_{OUT}} \right)$$

Where  $f$  = operating frequency,  $C_{OUT}$  = output capacitance, and  $\Delta I_L$  = ripple current in the inductor. The output ripple is highest at maximum input voltage since  $\Delta I_L$  increases with input voltage. With  $\Delta I_L = 0.4I_{OUT(MAX)}$  the output ripple will typically be less than 50mV at max  $V_{IN}$  assuming:

$$C_{OUT} \text{ Recommended ESR} < 2 R_{SENSE}$$

$$\text{and } C_{OUT} > 1/(8fR_{SENSE})$$

The first condition relates to the ripple current into the ESR of the output capacitance while the second term guarantees that the output capacitance does not significantly

## APPLICATIONS INFORMATION

discharge during the operating frequency period due to ripple current. The choice of using smaller output capacitance increases the ripple voltage due to the discharging term but can be compensated for by using capacitors of very low ESR to maintain the ripple voltage at or below 50mV. The  $I_{TH}$  pin OPTI-LOOP compensation components can be optimized to provide stable, high performance transient response regardless of the output capacitors selected.

For the boost regulator, the output ripple ( $\Delta V_{OUT}$ ) is determined by:

$$\Delta V_{OUT} \approx I_{PK} ESR + \left( \frac{1.5 I_{OUT}}{f C_{OUT}} \right)$$

Since the boost regulator is operating at high frequency, the second term will be small even with a small value of  $C_{OUT}$ . Hence, all efforts can be concentrated on finding a low ESR capacitor. A ceramic capacitor can be used for the output capacitor.

Manufacturers such as Nichicon, United Chemicon and Sanyo can be considered for high performance through-hole capacitors. The OS-CON semiconductor dielectric capacitor available from Sanyo has the lowest (ESR) (size) product of any aluminum electrolytic at a somewhat higher price. An additional ceramic capacitor in parallel with OS-CON capacitors is recommended to reduce the inductance effects.

In surface mount applications multiple capacitors may need to be used in parallel to meet the ESR, RMS current handling and load step requirements of the application. Aluminum electrolytic, dry tantalum and special polymer capacitors are available in surface mount packages. Special polymer surface mount capacitors offer very low ESR but have lower storage capacity per unit volume than other capacitor types. These capacitors offer a very cost-effective output capacitor solution and are an ideal choice when combined with a controller having high loop bandwidth. Tantalum capacitors offer the highest capacitance density and are often used as output capacitors for switching regulators having controlled soft-start. Several excellent surge-tested choices are the AVX TPS, AVX TPSV or the

KEMET T510 series of surface mount tantalums, available in case heights ranging from 2mm to 4mm. Aluminum electrolytic capacitors can be used in cost-driven applications providing that consideration is given to ripple current ratings, temperature and long term reliability. A typical application will require several to many aluminum electrolytic capacitors in parallel. A combination of the above mentioned capacitors will often result in maximizing performance and minimizing overall cost. Other capacitor types include Nichicon PL series, NEC Neocap, Panasonic SP and Sprague 595D series. For high value of ceramic capacitors, Taiyo Yuden has a series of them. Select the X5R or X7R series as these retain the capacitance over wide voltage and temperature range. Consult manufacturers for other specific recommendations.

### INTV<sub>CC</sub> Regulator

An internal P-channel low dropout regulator produces 5V at the INTV<sub>CC</sub> pin from the  $V_{IN}$  supply pin. INTV<sub>CC</sub> powers the drivers and internal circuitry within the LTC1876 step-down controllers. The INTV<sub>CC</sub> pin regulator can supply a peak current of 50mA and must be bypassed to ground with a minimum of 4.7 $\mu$ F tantalum, 10 $\mu$ F special polymer, or low ESR type electrolytic capacitor. A 1 $\mu$ F ceramic capacitor placed directly adjacent to the INTV<sub>CC</sub> and PGND IC pins is highly recommended. Good bypassing is necessary to supply the high transient currents required by the MOSFET gate drivers and to prevent interaction between channels.

Higher input voltage applications in which large MOSFETs are being driven at high frequencies may cause the maximum junction temperature rating for the LTC1876 to be exceeded. The system supply current is normally dominated by the gate charge current. Additional external loading of the INTV<sub>CC</sub> and 3.3V linear regulators also needs to be taken into account for the power dissipation calculations. The total INTV<sub>CC</sub> current can be supplied by either the 5V internal linear regulator or by the EXTV<sub>CC</sub> input pin. When the voltage applied to the EXTV<sub>CC</sub> pin is less than 4.7V, all of the INTV<sub>CC</sub> current is supplied by the internal 5V linear regulator. Power dissipation for the IC in this case is highest:  $(V_{IN})(I_{INTVCC})$ , and overall efficiency is lowered. The gate charge current is dependent on

## APPLICATIONS INFORMATION

operating frequency as discussed in the Efficiency Considerations section. The junction temperature can be estimated by using the equations given in Note 3 of the Electrical Characteristics. For example, the LTC1876  $V_{IN}$  current is limited to less than 24mA from a 24V supply when not using the  $EXTV_{CC}$  pin as follows:

$$T_J = 70^{\circ}\text{C} + (24\text{mA})(24\text{V})(95^{\circ}\text{C}/\text{W}) = 125^{\circ}\text{C}$$

Use of the  $EXTV_{CC}$  input pin reduces the junction temperature to:

$$T_J = 70^{\circ}\text{C} + (24\text{mA})(5\text{V})(95^{\circ}\text{C}/\text{W}) = 81^{\circ}\text{C}$$

Dissipation should be calculated and added for current drawn from the internal 3.3V linear regulator. To prevent maximum junction temperature from being exceeded, the input supply current must be checked operating in continuous mode at maximum  $V_{IN}$ .

### $EXTV_{CC}$ Connection

The LTC1876 contains an internal P-channel MOSFET switch connected between the  $EXTV_{CC}$  and  $INTV_{CC}$  pins. When the voltage applied to  $EXTV_{CC}$  rises above 4.7V, the internal regulator is turned off and the switch closes, connecting the  $EXTV_{CC}$  pin to the  $INTV_{CC}$  pin thereby supplying internal power. The switch remains closed as long as the voltage applied to  $EXTV_{CC}$  remains above 4.5V. This allows the MOSFET driver and control power to be derived from the output during normal operation ( $4.7\text{V} < V_{OUT} < 7\text{V}$ ) and from the internal regulator when the output is out of regulation (start-up, short-circuit). If more current is required through the  $EXTV_{CC}$  switch than is specified, an external Schottky diode can be added between the  $EXTV_{CC}$  and  $INTV_{CC}$  pins. Do not apply greater than 7V to the  $EXTV_{CC}$  pin and ensure that  $EXTV_{CC} \leq V_{IN}$ .

Significant efficiency gains can be realized by powering  $INTV_{CC}$  from the output, since the  $V_{IN}$  current resulting from the driver and control currents will be scaled by a factor of ((Duty Cycle)/efficiency). For 5V regulators this supply means connecting the  $EXTV_{CC}$  pin directly to  $V_{OUT}$ . However, for 3.3V and other lower voltage regulators, additional circuitry is required to derive  $INTV_{CC}$  power from the output.

The following list summarizes the four possible connections for  $EXTV_{CC}$ . *Make sure the voltage applied to the  $EXTV_{CC}$  does not exceed 7V.*

1.  $EXTV_{CC}$  Left Open (or Grounded). This will cause  $INTV_{CC}$  to be powered from the internal 5V regulator resulting in an efficiency penalty of up to 10% at high input voltages.
2.  $EXTV_{CC}$  Connected directly to  $V_{OUT}$ . This is the normal connection for a 5V regulator and provides the highest efficiency.
3.  $EXTV_{CC}$  Connected to the output of the boost regulator. If the LTC1876 auxiliary boost regulator is set up for output voltage between 4.7V and 7V, the  $EXTV_{CC}$  can be connected to this output.
4.  $EXTV_{CC}$  Connected to an Output-Derived Boost Network. For 3.3V and other low voltage regulators, efficiency gains can still be realized by connecting  $EXTV_{CC}$  to an output-derived voltage that has been boosted to greater than 4.7V. This can be done with either the inductive boost winding as shown in Figure 6a or the capacitive charge pump shown in Figure 6b. The charge pump has the advantage of simple magnetics.
5.  $EXTV_{CC}$  Connected to an External supply. If an external supply is available in the 5V to 7V range, it may be used to power  $EXTV_{CC}$  providing it is compatible with the MOSFET gate drive requirements.

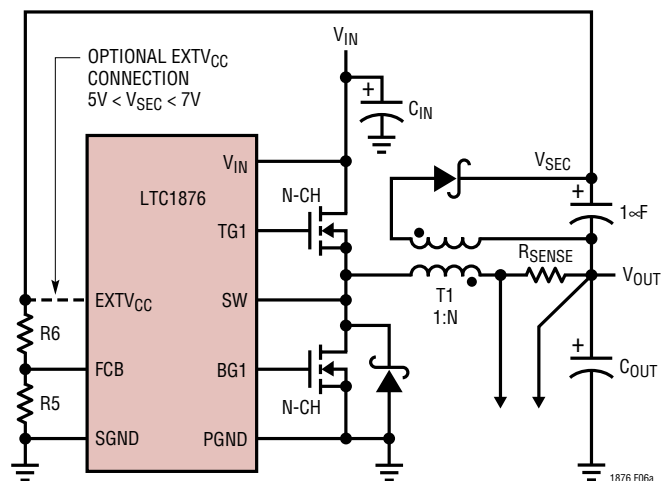
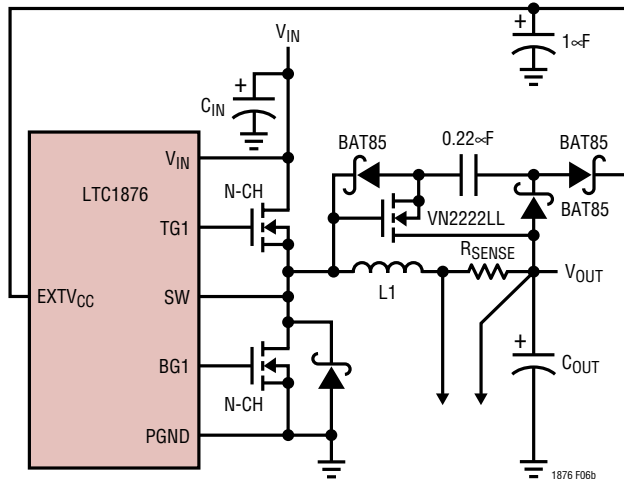


Figure 6a. Secondary Output Loop and  $EXTV_{CC}$  Connection



## APPLICATIONS INFORMATION

Figure 6b. Capacitive Charge Pump for EXTV<sub>CC</sub>Topside MOSFET Driver Supply (C<sub>B</sub>, D<sub>B</sub>)

External bootstrap capacitors C<sub>B</sub> connected to the BOOST pins supply the gate drive voltages for the topside MOSFETs. Capacitor C<sub>B</sub> in the functional diagram is charged through external diode D<sub>B</sub> from INTV<sub>CC</sub> when the SW pin is low. When one of the topside MOSFETs is to be turned on, the driver places the C<sub>B</sub> voltage across the gate-source of the desired MOSFET. This enhances the MOSFET and turns on the topside switch. The switch node voltage, SW, rises to V<sub>IN</sub> and the BOOST pin follows. With the topside MOSFET on, the boost voltage is above the input supply: V<sub>BOOST</sub> = V<sub>IN</sub> + V<sub>INTVCC</sub>. The value of the boost capacitor C<sub>B</sub> needs to be 100 times that of the total input capacitance of the topside MOSFET(s). The reverse breakdown of the external Schottky diode must be greater than V<sub>IN(MAX)</sub>. When adjusting the gate drive level, the final arbiter is the total input current for the regulator. If a change is made and the input current decreases, then the efficiency has improved. If there is no change in input current, then there is no change in efficiency.

## Output Voltage

The LTC1876 output voltages are each set by an external feedback resistive divider carefully placed across the output capacitor as shown in Figure 2. For the step-down controller, the resultant feedback signal is compared with

the internal precision 0.8V voltage reference by the error amplifier. The output voltage is given by the equation:

$$V_{OUT} = 0.8V \left( 1 + \frac{R2}{R1} \right)$$

For the auxiliary boost regulator, the resultant feedback signal is compared with the internal precision 1.26V voltage reference by the error amplifier. The output voltage is given by the equation:

$$V_{OUTAUX} = 1.26V \left( 1 + \frac{R8}{R7} \right)$$

SENSE<sup>+</sup>/SENSE<sup>-</sup> Pins

The common mode input range of the current comparator SENSE pins is from 0V to (1.1)INTV<sub>CC</sub>. Continuous linear operation is guaranteed throughout this range allowing output voltage setting from 0.8V to 7.7V, depending upon the voltage applied to EXTV<sub>CC</sub>. A differential NPN input stage is biased with internal resistors from an internal 2.4V source as shown in the Functional Diagram. This requires that current either be sourced or sunk from the SENSE pins depending on the output voltage. If the output voltage is below 2.4V current will flow out of both SENSE pins to the main output. The output can be easily preloaded by the V<sub>OUT</sub> resistive divider to compensate for the current comparator's negative input bias current. The maximum current flowing out of each pair of SENSE pins is:

$$I_{SENSE^+} + I_{SENSE^-} = (2.4V - V_{OUT})/24k$$

Since V<sub>OSENSE</sub> is servoed to the 0.8V reference voltage, we can choose R1 in Figure 2 to have a maximum value to absorb this current.

$$R1_{(MAX)} = 24k \left( \frac{0.8V}{2.4V - V_{OUT}} \right)$$

for V<sub>OUT</sub> < 2.4V

Regulating an output voltage of 1.8V, the minimum value of R1 should be 32k. Note that for an output voltage above 2.4V, R1 has no maximum value since the SENSE pins load the output.

## APPLICATIONS INFORMATION

### Soft-Start/Run Function

The RUN/SS1 and RUN/SS2 pins are multipurpose pins that provide a soft-start function and a means to shut down the LTC1876 step-down controllers. Soft-start reduces the input power source's surge currents by gradually increasing the controller's current limit (proportional to  $V_{ITH}$ ). This pin can also be used for power supply sequencing.

An internal  $1.2\mu\text{A}$  current source charges up the  $C_{SS}$  capacitor. When the voltage on RUN/SS1 (RUN/SS2) reaches  $1.5\text{V}$ , the particular controller is permitted to start operating. As the voltage on RUN/SS increases from  $1.3\text{V}$  to  $3.0\text{V}$ , the internal current limit is increased from  $25\text{mV}/R_{SENSE}$  to  $75\text{mV}/R_{SENSE}$ . The output current limit ramps up slowly, taking an additional  $1.2\text{s}/\mu\text{F}$  to reach full current. The output current thus ramps up slowly, reducing the starting surge current required from the input power supply. If RUN/SS has been pulled all the way to ground there is a delay before starting of approximately:

$$t_{\text{DELAY}} = \frac{1.5\text{V}}{1.2\mu\text{A}} C_{SS} = (1.25\text{s}/\mu\text{F}) C_{SS}$$

$$t_{\text{IRAMP}} = \frac{3\text{V} - 1.5\text{V}}{1.2\mu\text{A}} C_{SS} = (1.25\text{s}/\mu\text{F}) C_{SS}$$

By pulling both RUN/SS pins below  $1.0\text{V}$  and/or pulling the STBYMD pin below  $0.2\text{V}$ , the controllers are put into low current shutdown ( $I_Q = 20\mu\text{A}$ ). The RUN/SS pins can be driven directly from logic as shown in Figure 7. Diode D1 in Figure 7 reduces the start delay but allows  $C_{SS}$  to ramp up slowly providing the soft-start function. Each RUN/SS pin has an internal  $6\text{V}$  Zener clamp (See Functional Diagram).

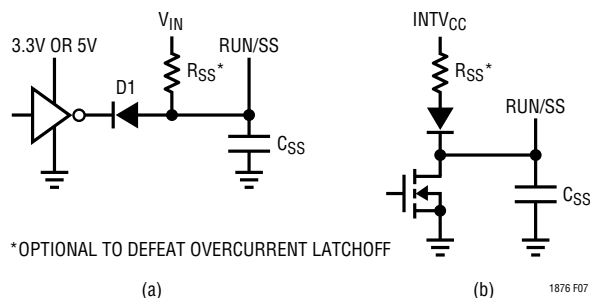


Figure 7. RUN/SS Pin Interfacing

### Fault Conditions: Overcurrent Latchoff

The RUN/SS pins also provide the ability to latch off the controller(s) when an overcurrent condition is detected. The RUN/SS capacitor,  $C_{SS}$ , is used initially to turn on and limit the inrush current of the controller. After the controller has been started and been given adequate time to charge up the output capacitor and provide full load current, the RUN/SS capacitor is used for a short-circuit timer. If the regulator's output voltage falls to less than  $70\%$  of its nominal value after  $C_{SS}$  reaches  $4.1\text{V}$ ,  $C_{SS}$  begins discharging on the assumption that the output is in an overcurrent condition. If the condition lasts for a long enough period as determined by the size of the  $C_{SS}$  and the specified discharge current, the controller will be shut down until the RUN/SS pin voltage is recycled. If the overload occurs during start-up, the time can be approximated by:

$$T_{L01} \cong [C_{SS}(4.1 - 1.5 + 4.1 - 3.5)]/(1.2\mu\text{A}) \\ = 2.7 \cdot 10^6 (C_{SS})$$

If the overload occurs after start-up the voltage on  $C_{SS}$  will begin discharging from the zener clamp voltage:

$$T_{L02} \cong [C_{SS}(6 - 3.5)]/(1.2\mu\text{A}) = 2.1 \cdot 10^6 (C_{SS})$$

If an overload occurs on one channel, it will also latch off the other channel. This built-in overcurrent latchoff can be overridden by providing a pull-up resistor to the RUN/SS pin as shown in Figure 7. This resistance shortens the soft-start period and prevents the discharge of the RUN/SS capacitor during an over current condition. Tying this pull-up resistor to  $V_{IN}$  as in Figure 7a, defeats overcurrent latchoff. Diode-connecting this pull-up resistor to  $\text{INTV}_{CC}$ , as in Figure 7b, eliminates any extra supply current during controller shutdown while eliminating the  $\text{INTV}_{CC}$  loading from preventing controller start-up.

Why should you defeat overcurrent latchoff? During the prototype stage of a design, there may be a problem with noise pickup or poor layout causing the protection circuit to latch off. Defeating this feature will easily allow troubleshooting of the circuit and PC layout. The internal short-circuit and foldback current limiting still remains active, thereby protecting the power supply system from failure. After the design is complete, a decision can be made whether to enable the latchoff feature.

## APPLICATIONS INFORMATION

The value of the soft-start capacitor  $C_{SS}$  may need to be scaled with output voltage, output capacitance and load current characteristics. The minimum soft-start capacitance is given by:

$$C_{SS} > (C_{OUT})(V_{OUT})(10^{-4})(R_{SENSE})$$

The minimum recommended soft-start capacitor of  $C_{SS} = 0.1\mu\text{F}$  will be sufficient for most applications.

### Fault Conditions: Current Limit and Current Foldback

The LTC1876 step-down controllers current comparator has a maximum sense voltage of 75mV resulting in a maximum MOSFET current of  $75\text{mV}/R_{SENSE}$ . The maximum value of current limit generally occurs with the largest  $V_{IN}$  at the highest ambient temperature, conditions that cause the highest power dissipation in the top MOSFET.

The controllers include current foldback to help further limit load current when the output is shorted to ground. The foldback circuit is active even when the overload shutdown latch described above is overridden. If the output falls below 70% of its nominal output level, then the maximum sense voltage is progressively lowered from 75mV to 25mV. Under short-circuit conditions with very low duty cycles, the step-down regulators will begin cycle skipping in order to limit the short-circuit current. In this situation the bottom MOSFET will be dissipating most of the power but less than in normal operation. The short-circuit ripple current is determined by the minimum on-time  $t_{ON(MIN)}$  (less than 200ns), the input voltage and inductor value:

$$\Delta I_{L(SC)} = t_{ON(MIN)}(V_{IN}/L)$$

The resulting short-circuit current is:

$$I_{SC} = \frac{25\text{mV}}{R_{SENSE}} + \frac{1}{2}\Delta I_{L(SC)}$$

### Fault Conditions: Overvoltage Protection (Crowbar)

The overvoltage crowbar is designed to blow a system input fuse when the output voltage of the step-down regulator rises much higher than nominal levels. The crowbar causes huge currents to flow, that blow the fuse

to protect against a shorted top MOSFET if the short occurs while the controller is operating.

A comparator monitors the output for overvoltage conditions. The comparator (OV) detects overvoltage faults greater than 7.5% above the nominal output voltage. When this condition is sensed, the top MOSFET is turned off and the bottom MOSFET is turned on until the overvoltage condition is cleared. The output of this comparator is only latched by the overvoltage condition itself and will therefore allow a switching regulator system having a poor PC layout to function while the design is being debugged. The bottom MOSFET remains on continuously for as long as the OV condition persists; if  $V_{OUT}$  returns to safe level, normal operation automatically resumes. A shorted top MOSFET will result in a high current condition which will open the system fuse. The switching regulator will regulate properly with a leaky top MOSFET by altering the duty cycle to accommodate the leakage.

### The Standby Mode (STBYMD) Pin Function

The Standby Mode (STBYMD) pin provides several choices for start-up and standby operational modes. If the pin is pulled to ground, the RUN/SS pins for both controllers are internally pulled to ground, preventing start-up and thereby providing a single control pin for turning off both controllers at once. If the pin is left open or decoupled with a capacitor to ground, the RUN/SS pins are each internally provided with a starting current enabling external control for turning on each controller independently. If the pin is provided with a current of  $>3\mu\text{A}$  at a voltage greater than 2V, both internal linear regulators (INTV<sub>CC</sub> and 3.3V) will be on even when both controllers are shut down. In this mode, the onboard 3.3V and 5V linear regulators can provide power to keep-alive functions such as a keyboard controller. This pin can also be used as a latching “on” and/or latching “off” power switch if so designed.

### Frequency of Operation

The LTC1876 stepdown controllers have an internal voltage controlled oscillator. The frequency of this oscillator can be varied over a 2 to 1 range. The pin is internally self-biased at 1.19V, resulting in a free-running frequency of



## APPLICATIONS INFORMATION

approximately 220kHz. The FREQSET pin can be grounded to lower this frequency to approximately 140kHz or tied to the INTV<sub>CC</sub> pin to yield approximately 310kHz. The FREQSET pin may be driven with a voltage from 0 to INTV<sub>CC</sub> to fix or modulate the oscillator frequency as shown in Figure 5.

### Minimum On-Time Considerations

Minimum on-time  $t_{ON(MIN)}$  is the smallest time duration that the step down controller is capable of turning on the top MOSFET. It is determined by internal timing delays and the gate charge required to turn on the top MOSFET. Low duty cycle applications may approach this minimum on-time limit and care should be taken to ensure that.

$$t_{ON(MIN)} < \frac{V_{OUT}}{V_{IN}(f)}$$

If the duty cycle falls below what can be accommodated by the minimum on-time, the controller will begin to skip cycles. The output voltage will continue to be regulated, but the ripple voltage and current will increase.

The minimum on-time for each controller is generally less than 200ns. However, as the peak sense voltage decreases the minimum on-time gradually increases up to about 300ns. This is of particular concern in forced continuous applications with low ripple current at light loads. If the duty cycle drops below the minimum on-time limit in this situation, a significant amount of cycle skipping can occur with correspondingly larger current and voltage ripple.

### FCB Pin Operation

The FCB pin can be used to regulate a secondary winding or as a logic level input. Continuous operation is forced when the FCB pin drops below 0.8V. During continuous mode, current flows continuously in the transformer primary. The secondary winding(s) draw current only when the bottom, synchronous switch is on. When primary load currents are low and/or the  $V_{IN}/V_{OUT}$  ratio is low, the synchronous switch may not be on for a sufficient amount of time to transfer power from the output capacitor to the secondary load. Forced continuous operation will support secondary windings providing there is sufficient

synchronous switch duty factor. Thus, the FCB input pin removes the requirement that power must be drawn from the inductor primary in order to extract power from the auxiliary windings. With the loop in continuous mode, the auxiliary outputs may nominally be loaded without regard to the primary output load.

The secondary output voltage  $V_{SEC}$  is normally set as shown in Figure 6a by the turns ratio  $N$  of the transformer:

$$V_{SEC} \cong (N + 1) V_{OUT}$$

However, if the controller goes into Burst Mode operation and halts switching due to a light primary load current, then  $V_{SEC}$  will droop. An external resistive divider from  $V_{SEC}$  to the FCB pin sets a minimum voltage  $V_{SEC(MIN)}$ :

$$V_{SEC(MIN)} \approx 0.8V \left( 1 + \frac{R6}{R5} \right)$$

If  $V_{SEC}$  drops below this level, the FCB voltage forces temporary continuous switching operation until  $V_{SEC}$  is again above its minimum.

In order to prevent erratic operation if no external connections are made to the FCB pin, the FCB pin has a 0.18 $\mu$ A internal current source pulling the pin high. Include this current when choosing resistor values  $R5$  and  $R6$ .

The following table summarizes the possible states available on the FCB pin:

**Table 1**

FCB Pin	Condition
0V to 0.75V	Forced Continuous (Current Reversal Allowed—Burst Inhibited)
0.85V < $V_{FB}$ < 4.3V	Minimum Peak Current Induces Burst Mode Operation No Current Reversal Allowed
Feedback Resistors	Regulating a Secondary Winding
>4.8V	Burst Mode Operation Disabled Constant Frequency Mode Enabled No Current Reversal Allowed No Minimum Peak Current

Remember that both controllers are temporarily forced into continuous mode when the FCB pin falls below 0.8V.

## APPLICATIONS INFORMATION

### Voltage Positioning

Voltage positioning can be used to minimize peak-to-peak output voltage excursions under worst-case transient loading conditions. The open loop DC gain of the control loop is reduced depending upon the maximum load step specifications. Voltage positioning can be easily added to the LTC1876 by loading the  $I_{TH}$  pin with a resistive divider having a Thevenin equivalent voltage source equal to the midpoint operating voltage of the error amplifier, or 1.2V (see Figure 8).

The resistive load reduces the DC loop gain while maintaining the linear control range of the error amplifier. The maximum output voltage deviation can theoretically be reduced to half or alternatively the amount of output capacitance can be reduced for a particular application. A complete explanation is included in Design Solutions 10. (See: [www.linear-tech.com](http://www.linear-tech.com))

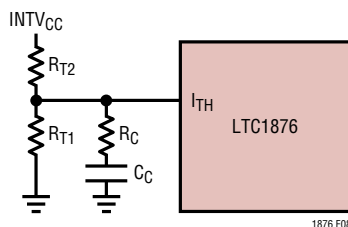


Figure 8. Active Voltage Positioning Applied to the LTC1876

### Efficiency Considerations

The percent efficiency of a switching regulator is equal to the output power divided by the input power times 100%. It is often useful to analyze individual losses to determine what is limiting the efficiency and which change would produce the most improvement. Percent efficiency can be expressed as:

$$\% \text{Efficiency} = 100\% - (L1 + L2 + L3 + \dots)$$

where L1, L2, etc. are the individual losses as a percentage of input power.

Although all dissipative elements in the circuit produce losses, four main sources usually account for most of the losses in LTC1876 circuits: 1) LTC1876  $V_{IN}$  current (including loading on the 3.3V internal regulator), 2) INTV<sub>CC</sub> regulator current, 3)  $I^2R$  losses, 4) topside MOSFET transition losses.

1. The  $V_{IN}$  current has two components: the first is the DC supply current given in the Electrical Characteristics table, which excludes MOSFET driver and control currents; the second is the current drawn from the 3.3V linear regulator output.  $V_{IN}$  current typically results in a small (<0.1%) loss.

2. INTV<sub>CC</sub> current is the sum of the MOSFET driver and control currents. The MOSFET driver current results from switching the gate capacitance of the power MOSFETs. Each time a MOSFET gate is switched from low to high to low again, a packet of charge  $dQ$  moves from INTV<sub>CC</sub> to ground. The resulting  $dQ/dt$  is a current out of INTV<sub>CC</sub> that is typically much larger than the control circuit current. In continuous mode,  $I_{GATECHG} = f(Q_T + Q_B)$ , where  $Q_T$  and  $Q_B$  are the gate charges of the topside and bottom side MOSFETs.

Supplying INTV<sub>CC</sub> power through the EXTV<sub>CC</sub> switch input from an output-derived source will scale the  $V_{IN}$  current required for the driver and control circuits by a factor of (Duty Cycle)/(Efficiency). For example, in a 20V to 5V application, 10mA of INTV<sub>CC</sub> current results in approximately 3mA of  $V_{IN}$  current. This reduces the mid-current loss from 10% or more (if the driver was powered directly from  $V_{IN}$ ) to only a few percent.

3.  $I^2R$  losses are predicted from the DC resistances of the fuse (if used), MOSFET, inductor, current sense resistor, and input and output capacitor ESR. In continuous mode the average output current flows through L and  $R_{SENSE}$ , but is “chopped” between the topside MOSFET and the synchronous MOSFET. If the two MOSFETs have approximately the same  $R_{DS(ON)}$ , then the resistance of one MOSFET can simply be summed with the resistances of L,  $R_{SENSE}$  and ESR to obtain  $I^2R$  losses. For example, if each  $R_{DS(ON)} = 30m\Omega$ ,  $R_L = 50m\Omega$ ,  $R_{SENSE} = 10m\Omega$  and  $R_{ESR} = 40m\Omega$  (sum of both input and output capacitance losses), then the total resistance is 130m $\Omega$ . This results in losses ranging from 3% to 13% as the output current increases from 1A to 5A for a 5V output, or a 4% to 20% loss for a 3.3V output. Efficiency varies as the inverse square of  $V_{OUT}$  for the same external components and output power level. The combined effects of increasingly lower output voltages and higher currents required by high performance digital systems is not doubling but

## APPLICATIONS INFORMATION

quadrupling the importance of loss terms in the switching regulator system!

4. Transition losses apply only to the topside MOSFET(s), and only when operating at high input voltages (typically 20V or greater). Transition losses can be estimated from:

$$\text{Transition Loss} = (1.7) V_{IN}^2 I_{O(MAX)} C_{RSS} f$$

Other “hidden” losses such as copper trace and internal battery resistances can account for an additional 5% to 10% efficiency degradation in portable systems. It is very important to include these “system” level losses in the design of a system. The internal battery and fuse resistance losses can be minimized by making sure that  $C_{IN}$  has adequate charge storage and very low ESR at the switching frequency. A 25W supply will typically require a minimum of 20 $\mu$ F to 40 $\mu$ F of capacitance having a maximum of 20m $\Omega$  to 50m $\Omega$  of ESR. The LTC1876 step-down controllers 2-phase architecture typically halves this input capacitance requirement over competing solutions. Other losses including Schottky conduction losses during dead-time and inductor core losses generally account for less than 2% total additional loss.

### Checking Transient Response

The regulator loop response can be checked by looking at the load current transient response. Switching regulators take several cycles to respond to a step in DC (resistive) load current. When a load step occurs,  $V_{OUT}$  shifts by an amount equal to  $\Delta I_{LOAD}$  (ESR), where ESR is the effective series resistance of  $C_{OUT}$ .  $\Delta I_{LOAD}$  also begins to charge or discharge  $C_{OUT}$  generating the feedback error signal that forces the regulator to adapt to the current change and return  $V_{OUT}$  to its steady-state value. During this recovery time  $V_{OUT}$  can be monitored for excessive overshoot or ringing, which would indicate a stability problem. OPTI-LOOP compensation allows the transient response to be optimized over a wide range of output capacitance and ESR values. *The availability of the  $I_{TH}$  pin not only allows optimization of control loop behavior but also provides a DC coupled and AC filtered closed loop response test point. The DC step, rise time and settling at this test point truly reflects the closed loop response.* Assuming a predominantly second order system, phase margin and/or

damping factor can be estimated using the percentage of overshoot seen at this pin. The bandwidth can also be estimated by examining the rise time at the pin. The  $I_{TH}$  external components shown in the Figure 1 circuit will provide an adequate starting point for most applications.

The  $I_{TH}$  series  $R_C$ - $C_C$  filter sets the dominant pole-zero loop compensation. The values can be modified slightly (from 0.5 to 2 times their suggested values) to maximize transient response once the final PC layout is done and the particular output capacitor type and value have been determined. The output capacitors need to be selected because the various types and values determine the loop feedback factor gain and phase. An output current pulse of 20% to 100% of full-load current having a rise time of 1 $\mu$ s to 10 $\mu$ s will produce output voltage and  $I_{TH}$  pin waveforms that will give a sense of the overall loop stability without breaking the feedback loop. The initial output voltage step resulting from the step change in output current may not be within the bandwidth of the feedback loop, so this signal cannot be used to determine phase margin. This is why it is better to look at the  $I_{TH}$  pin signal which is in the feedback loop and is the filtered and compensated control loop response. The gain of the loop will be increased by increasing  $R_C$  and the bandwidth of the loop will be increased by decreasing  $C_C$ . If  $R_C$  is increased by the same factor that  $C_C$  is decreased, the zero frequency will be kept the same, thereby keeping the phase the same in the most critical frequency range of the feedback loop. The output voltage settling behavior is related to the stability of the closed-loop system and will demonstrate the actual overall supply performance.

A second, more severe transient is caused by switching in loads with large (>1 $\mu$ F) supply bypass capacitors. The discharged bypass capacitors are effectively put in parallel with  $C_{OUT}$ , causing a rapid drop in  $V_{OUT}$ . No regulator can alter its delivery of current quickly enough to prevent this sudden step change in output voltage if the load switch resistance is low and it is driven quickly. If the ratio of  $C_{LOAD}$  to  $C_{OUT}$  is greater than 1:50, the switch rise time should be controlled so that the load rise time is limited to approximately  $25 \cdot C_{LOAD}$ . Thus a 10 $\mu$ F capacitor would require a 250 $\mu$ s rise time, limiting the charging current to about 200mA.

## APPLICATIONS INFORMATION

### Low $V_{IN}$ Applications

In applications where the input supply is low ( $<5V$ ), the LTC1876 auxiliary regulator can be used to step-up the input to provide the gate drive to the external MOSFETs as shown in Figure 9.

Shown in the Typical Application section of the data sheet is a circuit (3.3V<sub>IN</sub> Dual-Phase High Efficiency Power Supply) with input supply of 3.3V. The boost section of the LTC1876 is set up to generate 5V and is used to provide the gate drive to the external MOSFETs. The circuit provides dual outputs, a 2.5V/15A and 1.8V/15A. Both drawing power directly from  $V_{IN}$ .

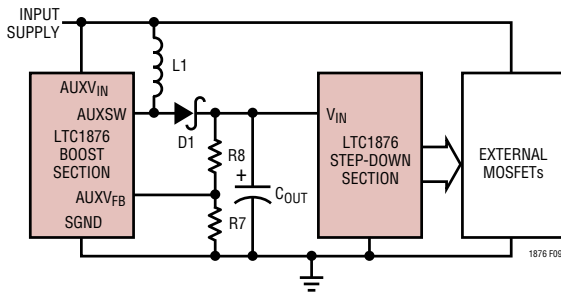


Figure 9. Generating the Gate Drive for Low Input Supply Applications

### Single Output/High Current Applications

In applications that demand current much higher than a single stage can supply ( $>20A$ ), the LTC1876 can be configured as a single output converter. Figure 10 shows the block diagram of the configuration. Note that the compensation pins ( $I_{TH1}$  and  $I_{TH2}$ ) of the two channels are connected together, saving a set of passive components. In addition, the output voltage sense pins ( $V_{OSENSE1}$  and  $V_{OSENSE2}$ ) are shorted together, using only one resistor divider to set the output voltage.

Although the output current requirement is high, the input capacitors ripple current requirement is not much different compared to the dual outputs circuit. This is attributed to the fact that the current is shared between two channels and an out-of-phase architecture is implemented for the controllers (*See Theory and Benefits of 2-Phase Operation*).

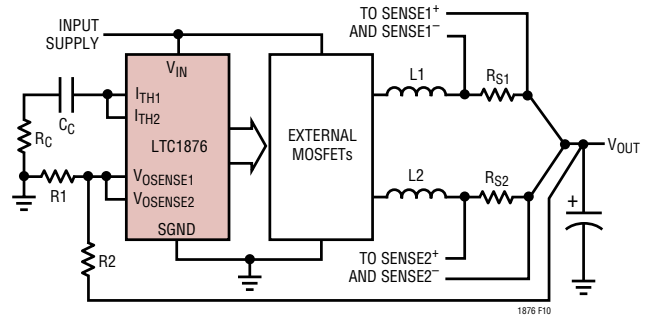


Figure 10. Single Output Configuration

### Auxiliary Regulator's Inductor Value Calculation

Since the current limit for the auxiliary regulator is internally set at 1A, it makes the selection of components easier. For the boost regulator, the duty cycle is given by:

$$\text{Duty Cycle} = 1 - \frac{V_{IN}}{V_{OUT}}$$

Since energy is only transferred to the output capacitor(s) during the off-time, the maximum output current that can be supplied by the regulator without losing regulation is:

$$I_{OUT} = 0.5(2 \cdot I_{PK} - \Delta I_L)(1 - \text{Duty Cycle})$$

where  $I_{PK}$  = peak inductor current and is internally set at 1A.

$\Delta I_L$  = inductor's ripple current

With the required ripple current determined, the value of the inductor is:

$$L = \frac{(V_{IN} \cdot \text{Duty Cycle})}{(f \cdot \Delta I_L)}$$

where  $f$  = operating frequency (1.2MHz)

In most cases, a larger value of inductance is used. This is done to account for component variation. It also lowers the inductor ripple current and results in lower core losses. In addition, lower ripple also translates into lower ESR losses in the output capacitors and smaller output voltage ripple.



## APPLICATIONS INFORMATION

Once the value of L is known, select an inductor that can handle at least 1A without saturating. In addition, ensure that the inductor has a low DCR (copper wire resistance) to minimize  $I^2R$  power losses.

### Auxiliary Regulator's Capacitor Selection

Low ESR (equivalent series resistance) capacitors should be used at the output to minimize the output ripple voltage. Multilayer ceramic capacitors are an excellent choice, as they have extremely low ESR and are available in very small packages. X5R dielectrics are preferred, followed by X7R, as these materials retain the capacitance over wide voltage and temperature ranges. A 4.7 $\mu$ F to 10 $\mu$ F output capacitor is sufficient for most applications, but systems with very low output current may need only a 1 $\mu$ F or 2.2 $\mu$ F output capacitor. Solid tantalum or OS-CON capacitors can be used, but they will occupy more board area than a ceramic and will have a higher ESR. Always use a capacitor with a sufficient voltage rating.

Ceramic capacitors also make a good choice for the input decoupling capacitor, and should be placed as close as possible to the AUV<sub>IN</sub> pin. A 1 $\mu$ F to 4.7 $\mu$ F input capacitor is sufficient for most applications. Table 2 shows a list of several ceramic capacitor manufacturers. Consult the manufacturers for detailed information on their entire selection of ceramic parts.

**Table 2. Ceramic Capacitor Manufacturers**

Taiyo Yuden	(408) 573-4150	www.t-yuden.com
AVX	(803) 448-9411	www.avxcorp.com
Murata	(714) 852-2001	www.murata.com

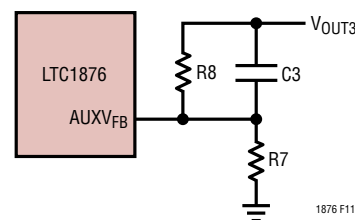
The decision to use either low ESR (ceramic) capacitors or higher ESR (tantalum or OS-CON) capacitors can affect the stability of the overall system. The ESR of any capacitor, along with the capacitance itself, contributes a zero to the system. For the tantalum and OS-CON capacitors, this zero is located at a lower frequency due to the higher value of the ESR, while the zero of a ceramic capacitor is a much higher frequency and can generally be ignored.

A phase lead zero can be intentionally introduced by placing a capacitor (C3) in parallel with the resistor (R8)

between V<sub>OUT3</sub> and AUV<sub>FB</sub> as shown in Figure 11. The frequency of the zero is determined by the following equation.

$$f_z = \frac{1}{2\pi \cdot R8 \cdot C3}$$

By choosing the appropriate values for the resistor and capacitor, the zero frequency can be designed to slightly improve the phase margin of the overall converter. The typical target value for the zero frequency is between 50kHz to 150kHz.



**Figure 11. Adding a Phase Lead Zero**

### Auxiliary Regulator's Diode Selection

A Schottky diode is recommended for use with the auxiliary regulator. The ON Semiconductor MBR0520 is a very good choice. Where the input to output voltage differential exceeds 20V, use the MBR0530 (a 30V diode). These diodes are rated to handle an average forward current of 0.5A. In applications where the average forward current of the diode exceeds 0.5A, a Microsemi UPS5817 rated at 1A is recommended.

### Driving AUV<sub>SD</sub> Above 10V

The maximum voltage allowed on the AUV<sub>SD</sub> pin is 10V. In some applications if the applied voltage on this pin is going to exceed 10V, then a series resistor can be connected to this pin. The value for this resistor is given by:

$$R_{\text{SERIES}} = \frac{(V_{\text{AUVSD}} - 10)}{(60 \cdot 10^{-6})}$$

By placing this series resistor, it ensures that the voltage seen by the pin will not exceed 10V.

## APPLICATIONS INFORMATION

### Automotive Considerations: Plugging into the Cigarette Lighter

As battery-powered devices go mobile, there is a natural interest in plugging into the cigarette lighter in order to conserve or even recharge battery packs during operation. But before you connect, be advised: you are plugging into the supply from hell. The main battery line in an automobile is the source of a number of nasty potential transients, including load-dump, reverse-battery, and double-battery.

Load-dump is the result of a loose battery cable. When the cable breaks connection, the field collapse in the alternator can cause a positive spike as high as 60V which takes several hundred milliseconds to decay. Reverse-battery is just what it says, while double-battery is a consequence of tow-truck operators finding that a 24V jump start cranks cold engines faster than 12V.

The network shown in Figure 12 is the most straight forward approach to protect a DC/DC converter from the ravages of an automotive battery line. The series diode prevents current from flowing during reverse-battery, while the transient suppressor clamps the input voltage during load-dump. Note that the transient suppressor should not conduct during double-battery operation, but must still clamp the input voltage below breakdown of the converter. Although the LTC1876 step-down controllers have a maximum input voltage of 36V, most applications will be limited to 30V by the MOSFET BVDSS.

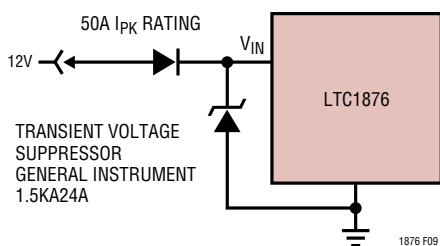


Figure 12. Automotive Application Protection

### Design Example

As a design example for one channel, assume  $V_{IN} = 12V$  (nominal),  $V_{IN} = 22V(\text{max})$ ,  $V_{OUT} = 1.8V$ ,  $I_{MAX} = 5A$ , and  $f = 300\text{kHz}$ ,  $R_{SENSE}$  can immediately be calculated:

$$R_{SENSE} = 50\text{mV}/5A = 0.01\Omega$$

Tie the FREQSET pin to the INTV<sub>CC</sub> pin for 300kHz operation.

Assume a 4.7 $\mu\text{H}$  inductor and check the actual value of the ripple current. The following equation is used:

$$\Delta I_L = \frac{V_{OUT}}{(f)(L)} \left( 1 - \frac{V_{OUT}}{V_{IN}} \right)$$

The highest value of the ripple current occurs at the maximum input voltage:

$$\Delta I_L = \frac{1.8V}{300\text{kHz}(4.7\mu\text{H})} \left( 1 - \frac{1.8V}{22V} \right) = 1.17A$$

The ripple current is 23% of maximum output current, which is below the 30% guideline. This means that a 3.3 $\mu\text{H}$  inductor can be used.

Increasing the ripple current will also help ensure that the minimum on-time of 200ns is not violated. The minimum on-time occurs at maximum  $V_{IN}$ :

$$t_{ON(MIN)} = \frac{V_{OUT}}{V_{IN(MAX)}f} = \frac{1.8V}{22V(300\text{kHz})} = 273\text{ns}$$

Since the output voltage is below 2.4V the output resistive divider will need to be sized to not only set the output voltage but also to absorb the SENSE pins current.

$$\begin{aligned} R1_{(MAX)} &= 24k \left( \frac{0.8V}{2.4V - V_{OUT}} \right) \\ &= 24k \left( \frac{0.8V}{2.4V - 1.8V} \right) = 32k \end{aligned}$$

## APPLICATIONS INFORMATION

Choosing 1% resistors;  $R1 = 25.5k$  and  $R2 = 32.4k$  yields an output voltage of 1.816V.

The power dissipation on the top side MOSFET can be easily estimated. Choosing a Siliconix Si4412DY results in;  $R_{DS(ON)} = 0.042\Omega$ ,  $C_{RSS} = 100pF$ . At maximum input voltage with  $T(\text{estimated}) = 50^\circ C$ :

$$P_{MAIN} = \frac{1.8V}{22V} (5)^2 \left[ 1 + (0.005)(50^\circ C - 25^\circ C) \right] \\ (0.042\Omega) + 1.7(22V)^2 (5A)(100pF)(300kHz) \\ = 220mW$$

A short-circuit to ground will result in a folded back current of:

$$I_{SC} = \frac{25mV}{0.01\Omega} + \frac{1}{2} \left( \frac{200ns(22V)}{3.3\mu H} \right) = 3.2A$$

with a typical value of  $R_{DS(ON)}$  and  $\delta = (0.005/^\circ C)(20) = 0.1$ . The resulting power dissipated in the bottom MOSFET is:

$$P_{SYNC} = \frac{22V - 1.8V}{22V} (3.2A)^2 (1.1)(0.042\Omega) \\ = 434mW$$

which is less than under full-load conditions.

$C_{IN}$  is chosen for an RMS current rating of at least 3A at temperature assuming only this channel is on.  $C_{OUT}$  is chosen with an ESR of  $0.02\Omega$  for low output ripple. The output ripple in continuous mode will be highest at the maximum input voltage. The output voltage ripple due to ESR is approximately:

$$V_{ORIPPLE} = R_{ESR}(\Delta I_L) = 0.02\Omega(1.67A) = 33mV_{P-P}$$

### Design Example for Auxiliary Regulator

Assume the requirements are  $V_{IN} = 5V$ ,  $V_{OUT} = 12V$  and  $I_{OUTMAX} = 300mA$ . The duty cycle is given by:

$$\text{Duty Cycle} = 1 - \frac{V_{IN}}{V_{OUT}} = 0.58$$

Since the required output current is 300mA, the ripple current of the inductor is calculated to be 0.57A.

Hence the required inductor is:

$$L = \frac{(V_{IN} \cdot \text{Duty Cycle})}{(f \cdot \Delta I_L)}$$

With the boost regulator operating at 1.2MHz,

$$L = 4.24\mu H$$

A  $10\mu H$  inductor is selected for the circuit for lower ripple inductor current. Since the output current is only 300mA, a 0.5A MBR0520 Schottky is selected. The completed circuit along with its efficiency curve is shown in Figure 13 and Figure 14 respectively.

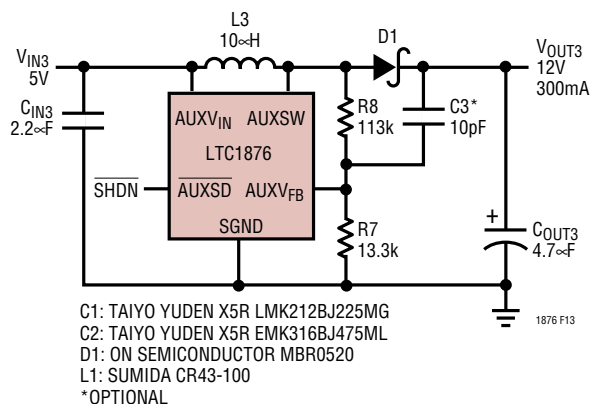


Figure 13. Design Example Schematic

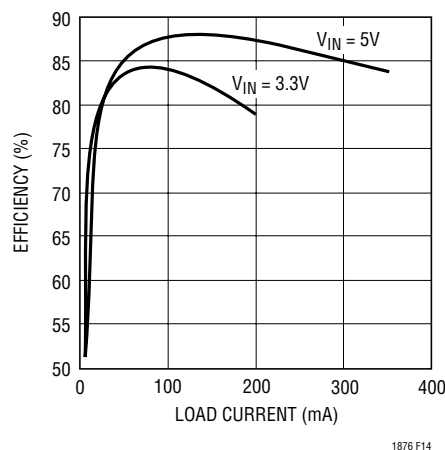


Figure 14. Efficiency Curve for Design Example



## APPLICATIONS INFORMATION

### PC Board Layout Checklist

When laying out the printed circuit board, the following checklist should be used to ensure proper operation of the LTC1876. These items are also illustrated graphically in the layout diagram of Figure 15. The Figure 16 illustrates the current waveforms present in the various branches of the 2-phase synchronous regulators operating in the continuous mode. Check the following in your layout:

1. Are the top N-channel MOSFETs M1 and M3 located within 1cm of each other with a common drain connection at  $C_{IN}$ ? Do not attempt to split the input decoupling for the two channels as it can cause a large resonant loop.
2. Is the ground of the step-down controller kept separate from the ground of the step-up regulator? The regulator ground should join the controller ground at the combined  $C_{OUT}$  (-) plates. Within the controller circuitry, are the signal and power grounds kept separate? The controller

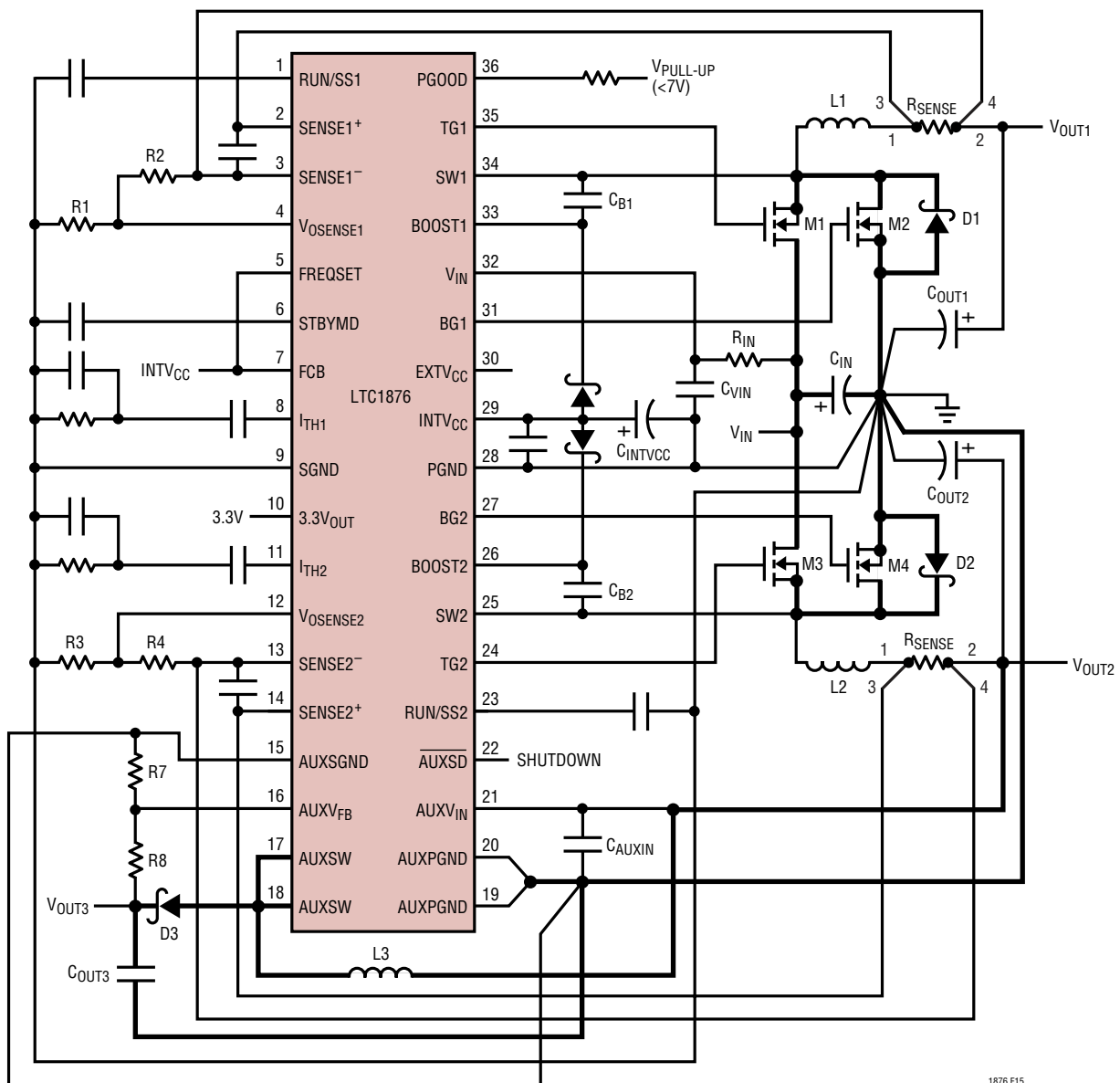


Figure 15. LTC1876 Recommended Printed Circuit Layout Diagram

1876 F15

## APPLICATIONS INFORMATION

signal ground pin and the ground return of  $C_{INTVCC}$  must return to the combined  $C_{OUT}$  (-) plates. Within the regulator circuitry, are the signal and power grounds kept separate? The regulator signal ground pin must return to the  $C_{AUXIN}$  (-) plates.

3. Does the path formed by the top N-Channel MOSFET Schottky diode (D1, D2) and the  $C_{IN}$  capacitor have short leads and PC trace lengths? The output capacitor (-) plates should be connected as close as possible to the (-) plates of the input capacitor by placing the capacitors next to each other and away from the Schottky loop described above. Also, the path formed by the AUXSW pins, Schottky diode (D3) and the  $C_{OUT3}$  capacitor should have short leads and PC trace lengths. The  $C_{AUXIN}$  capacitor (-) plates should be connected as close as possible to

the (-) plates of the  $C_{OUT3}$  (-) plates by placing the capacitors next to each other and away from the D3 loop described above.

4. If the input supply to the boost regulator is obtain from one of the other outputs, is this connection short (< 1cm)?

5. Do the LTC1876  $V_{OSENSE}$  and  $AUXV_{FB}$  pins resistive dividers connect to the (+) plates of its respective  $C_{OUT}$ ? The resistive divider must be connected between the (+) plate of  $C_{OUT}$  and signal ground and a small  $V_{OSENSE}$  decoupling capacitor should be as close as possible to the LTC1876 SGND pin. A feedforward capacitor across R8 can be connected to enhance the transient response of the boost regulator. The R2, R4 and R8 connections should not be along the high current input feeds from the input capacitor(s).

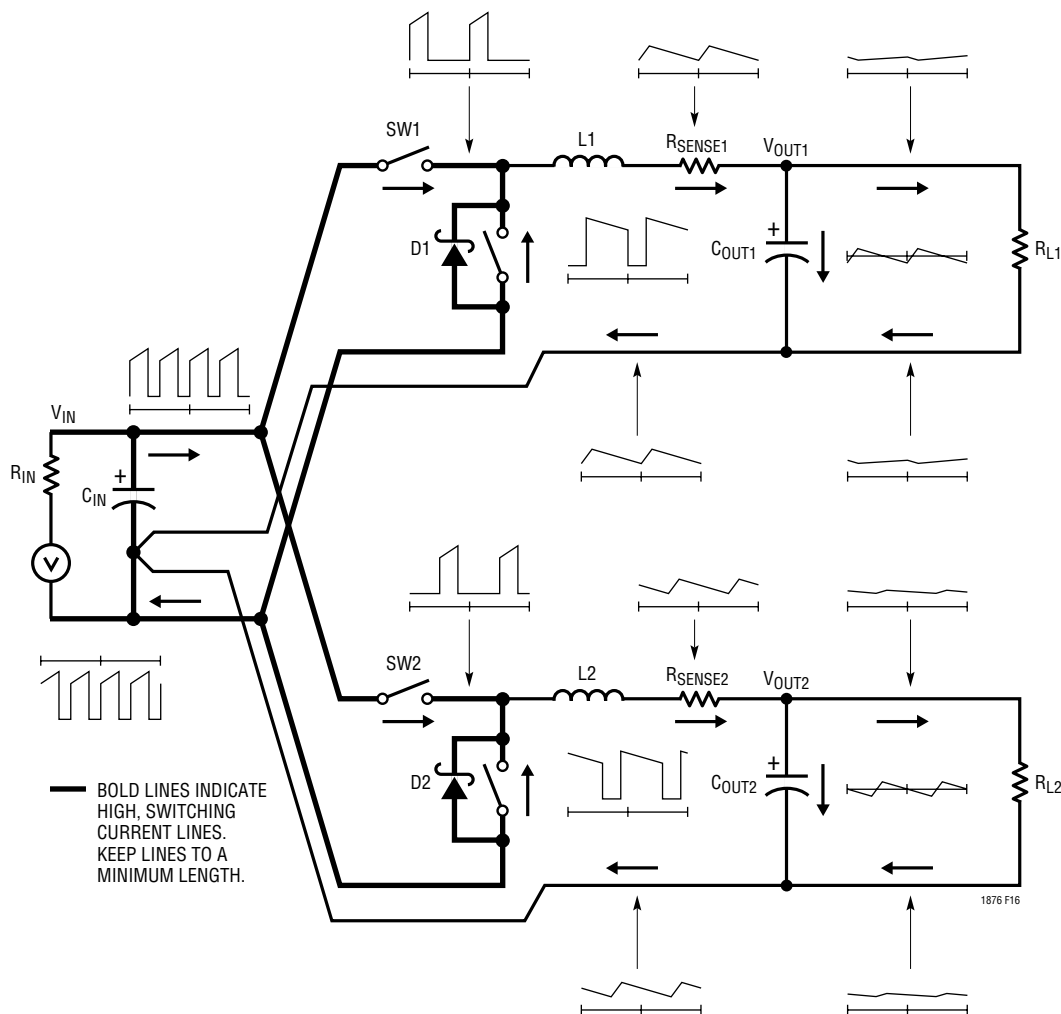


Figure 16. Branch Current Waveforms

## APPLICATIONS INFORMATION

6. Are the SENSE<sup>-</sup> and SENSE<sup>+</sup> leads routed together with minimum PC trace spacing? The filter capacitor between SENSE<sup>+</sup> and SENSE<sup>-</sup> should be as close as possible to the IC.

7. Is the INTV<sub>CC</sub> decoupling capacitor connected close to the IC, between the INTV<sub>CC</sub> and the power ground pins? This capacitor carries the MOSFET drivers current peaks. An additional 1μF ceramic capacitor placed immediately next to the INTV<sub>CC</sub> and PGND pins can help improve noise performance substantially.

8. Keep the switching nodes (SW1, SW2, AUXSW), top gate nodes (TG1, TG2), and boost nodes (BOOST1, BOOST2) away from sensitive small-signal nodes, especially from the opposites channel's voltage and current sensing feedback pins. All of these nodes have very large and fast moving signals and therefore should be kept on the "output side" of the LTC1876 and occupy minimum PC trace area.

9. Use a modified "star ground" technique: a low impedance, large copper area central grounding point on the same side of the PC board as the input and output capacitors with tie-ins for the bottom of the INTV<sub>CC</sub> decoupling capacitor, the bottom of the voltage feedback resistive divider and the SGND pin of the IC.

### PC Board Layout Debugging

Start with one regulator on at a time. It is best to first start with one of the step-down regulator and it is helpful to use a DC-50MHz current probe to monitor the current in the inductor while testing the circuit. Monitor the output switching node (SW pin) to synchronize the oscilloscope to the internal oscillator and probe the actual output voltage as well. Check for proper performance over the operating voltage and current range expected in the application. The frequency of operation should be maintained over the input voltage range down to dropout and until the output load drops below the low current operation threshold—typically 10% to 20% of the maximum designed current level in Burst Mode operation.

The duty cycle percentage should be maintained from cycle to cycle in a well-designed, low noise PCB implementation. Variation in the duty cycle at a subharmonic rate can suggest noise pickup at the current or voltage sensing inputs or inadequate loop compensation. Overcompensation of the loop can be used to tame a poor PC layout if regulator bandwidth optimization is not required. Only after each controller is checked for their individual performance should both controllers be turned on at the same time. A particularly difficult region of operation is when one controller channel is nearing its current comparator trip point when the other channel is turning on its top MOSFET. This occurs around 50% duty cycle on either channel due to the phasing of the internal clocks and may cause minor duty cycle jitter.

Short-circuit testing can be performed to verify proper overcurrent latchoff, or 5μA can be provided to the RUN/SS pin(s) by resistors from V<sub>IN</sub> or INTV<sub>CC</sub> (depending upon the STBYMD pin programming), to prevent the short-circuit latchoff from occurring.

Reduce V<sub>IN</sub> from its nominal level to verify operation of the regulator in dropout. Check the operation of the undervoltage lockout circuit by further lowering V<sub>IN</sub> and monitoring the outputs to verify operation.

Investigate whether any problems exist only at higher output currents or only at higher input voltages. If problems coincide with high input voltages and low output currents, look for capacitive coupling between the BOOST, SW, TG, and possibly BG connections and the sensitive voltage and current pins. The capacitor placed across the current sensing pins needs to be placed immediately adjacent to the pins of the IC. This capacitor helps to minimize the effects of differential noise injection due to high frequency capacitive coupling. If problems are encountered with high current output loading at lower input voltages, look for inductive coupling between C<sub>IN</sub>, Schottky and the top MOSFET components to the sensitive current and voltage sensing traces. In addition, investigate common ground path voltage pickup between these components and the SGND pin of the IC.

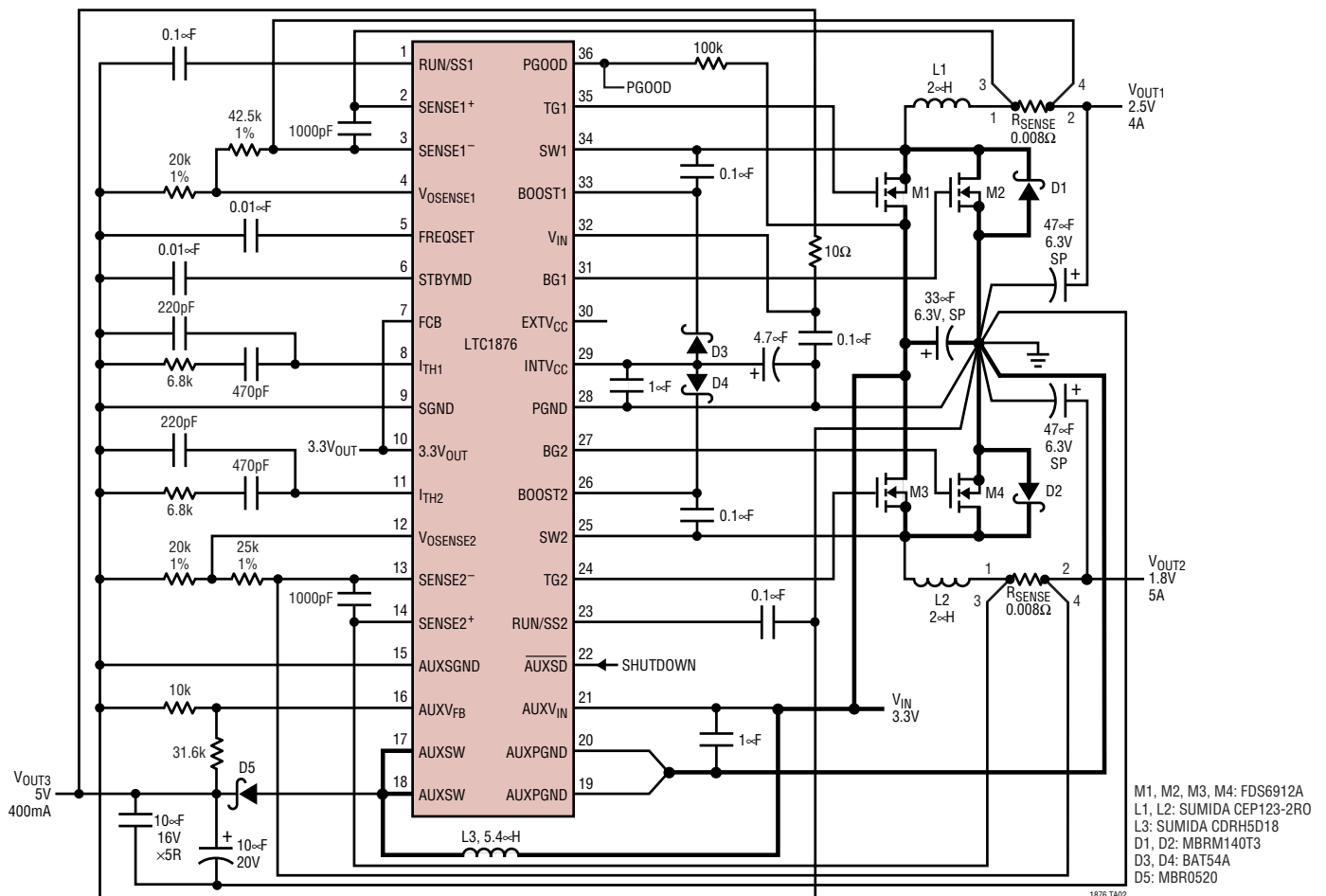
## APPLICATIONS INFORMATION

An embarrassing problem, which can be missed in an otherwise properly working switching regulator, results when the current sensing leads are hooked up backwards. The output voltage under this improper hookup will still be maintained but the advantages of current mode control

will not be realized. Compensation of the voltage loop will be much more sensitive to component selection. This behavior can be investigated by temporarily shorting out the current sensing resistor—don't worry, the regulator will still maintain control of the output voltage.

## TYPICAL APPLICATIONS

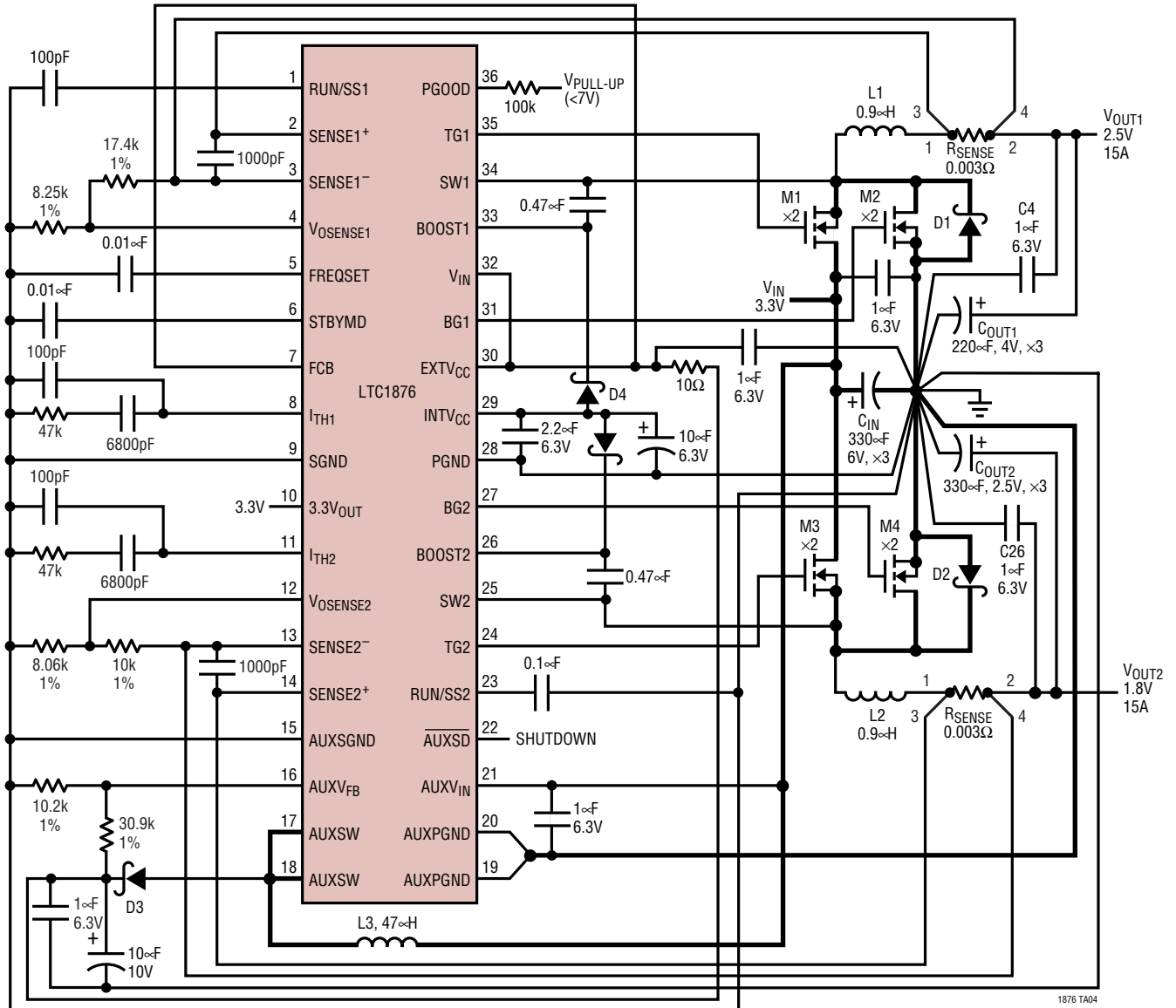
Low Voltage 3.3V to 1.8V, 2.5V and 5V Power Supply



1876 TA02

TYPICAL APPLICATIONS

3.3V<sub>IN</sub> Dual-Phase High Efficiency Power Supply

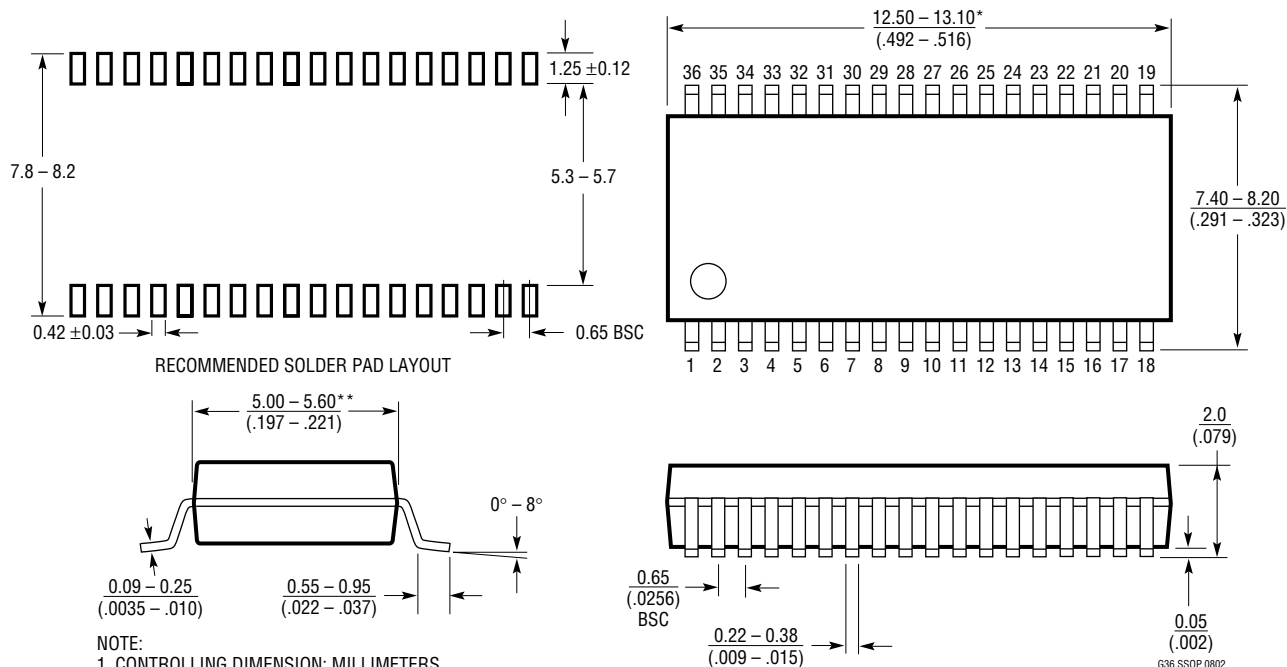


- D1, D2: MBRS340T3
- D3: CMDSH-3
- D4: BAT54A
- L1, L2: SUMIDA CEP134-OR9
- L3: TOKO FSLB2520-470K
- M1, M2, M3, M4: FDS7764A

1876 TA04

# PACKAGE DESCRIPTION

**G Package**  
**36-Lead Plastic SSOP (5.3mm)**  
 (Reference LTC DWG # 05-08-1640)

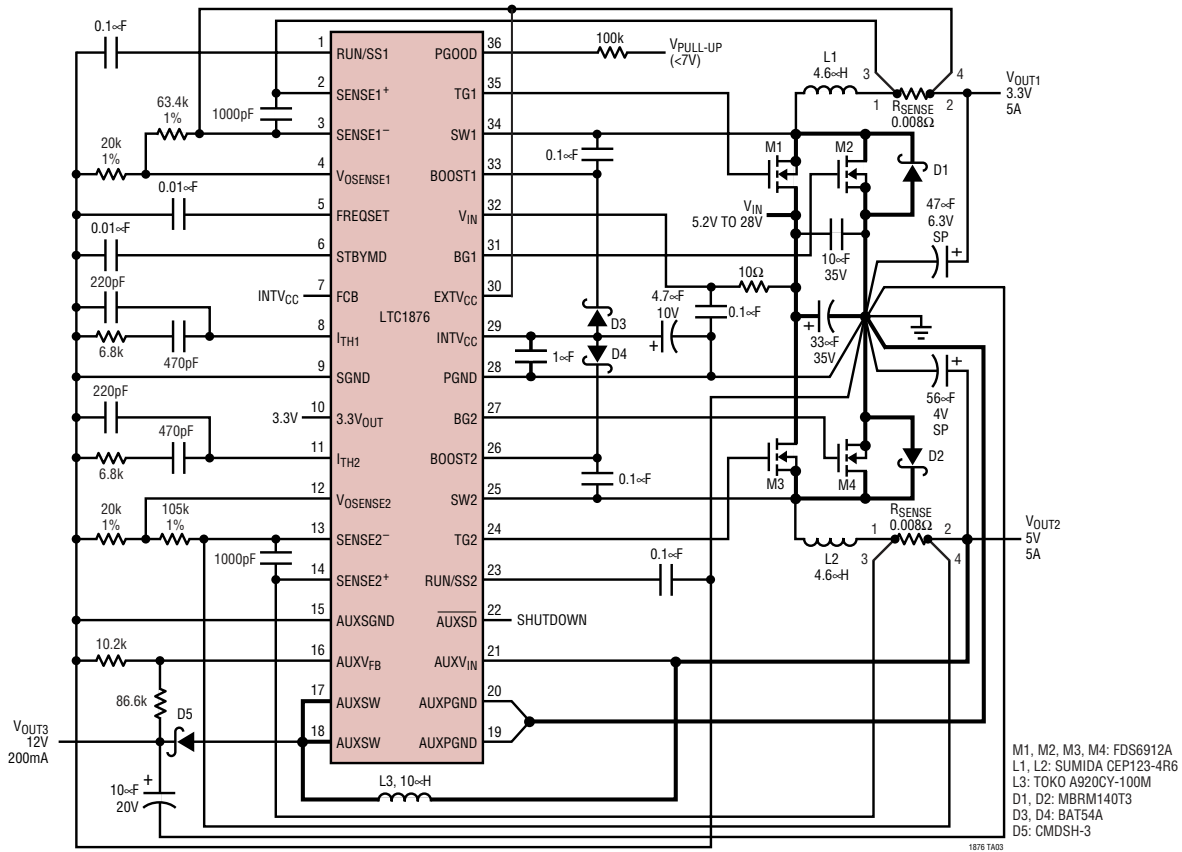


- NOTE:
1. CONTROLLING DIMENSION: MILLIMETERS
  2. DIMENSIONS ARE IN  $\frac{\text{MILLIMETERS}}{\text{(INCHES)}}$
  3. DRAWING NOT TO SCALE
- \*DIMENSIONS DO NOT INCLUDE MOLD FLASH. MOLD FLASH SHALL NOT EXCEED .152mm (.006") PER SIDE
- \*\*DIMENSIONS DO NOT INCLUDE INTERLEAD FLASH. INTERLEAD FLASH SHALL NOT EXCEED .254mm (.010") PER SIDE

G36 SSOP 0802

TYPICAL APPLICATION

High Efficiency Triple 5V/ 3.3V/12V Power Supply



RELATED PARTS

PART NUMBER	DESCRIPTION	COMMENTS
LTC1625/LTC1775	No R <sub>SENSE</sub> <sup>TM</sup> Current Mode Synchronous Step-Down Controllers	Burst Mode Operation, GN-16
LTC1628/LTC1628-PG	High Efficiency, Dual, 2 Phase Synchronous Step-Down Controllers	Constant Frequency, Standby, 5V and 3.3V LDO
LTC1708-PG	Dual, 2 Phase Synchronous Controller with Mobile VID Control	36V Input; V <sub>OUT1</sub> for CPU Core Voltage; V <sub>OUT2</sub> for Memory, Chipset I/O
LTC1709	2 Phase, 5-Bit Adjustable, High Efficiency, Synchronous Step-Down Controller	Constant Frequency, VID, up to 42A
LTC1735	High Efficiency Synchronous Step-Down Switching Regulator	Output Fault Protection, GN-16
LTC1736	High Efficiency Synchronous Controller with Mobile VID Control	Output Fault Protection, G-24
LTC1772	SOT-23 Step-Down Controller	2.5V ≤ V <sub>IN</sub> ≤ 9.8V; I <sub>OUT</sub> Up to 4.5A; 550kHz Operation for Smallest PCB Area
LTC1778	No R <sub>SENSE</sub> Wide Input Range Synchronous Step-Down Controller	Up to 97% Efficiency; 4V ≤ V <sub>IN</sub> ≤ 36V 0.8V ≤ V <sub>OUT</sub> ≤ (0.9)(V <sub>IN</sub> ); Input up to 20A
LTC3713	Low Input Voltage Synchronous Step-Down Controller	1.5V ≤ V <sub>IN</sub> ; No R <sub>SENSE</sub> ; Standard 5V-Logic Level MOSFETS
LTC3714	No R <sub>SENSE</sub> DC/DC Controller for Mobile Pentium Processors	Supports up to 25A; Sense Resistor Optional
LTC3716	2-Phase DC/DC Controller for Mobile Pentium Processors	Small, Low Profile Design; Supports up to 30A
LTC3728	Dual, 2-Phase 550kHz Synchronous Step-Down Controller	Phase-Lockable from 250kHz to 550kHz, 5mm × 5mm QFN and SSOP-28, 3.5V ≤ V <sub>IN</sub> ≤ 36V

Adaptive Power and No R<sub>SENSE</sub> are trademarks of Linear Technology Corporation.

1876fa