

MATERIALS AND FINISHES:

SMP PLUG:
SEE SD-73415-416

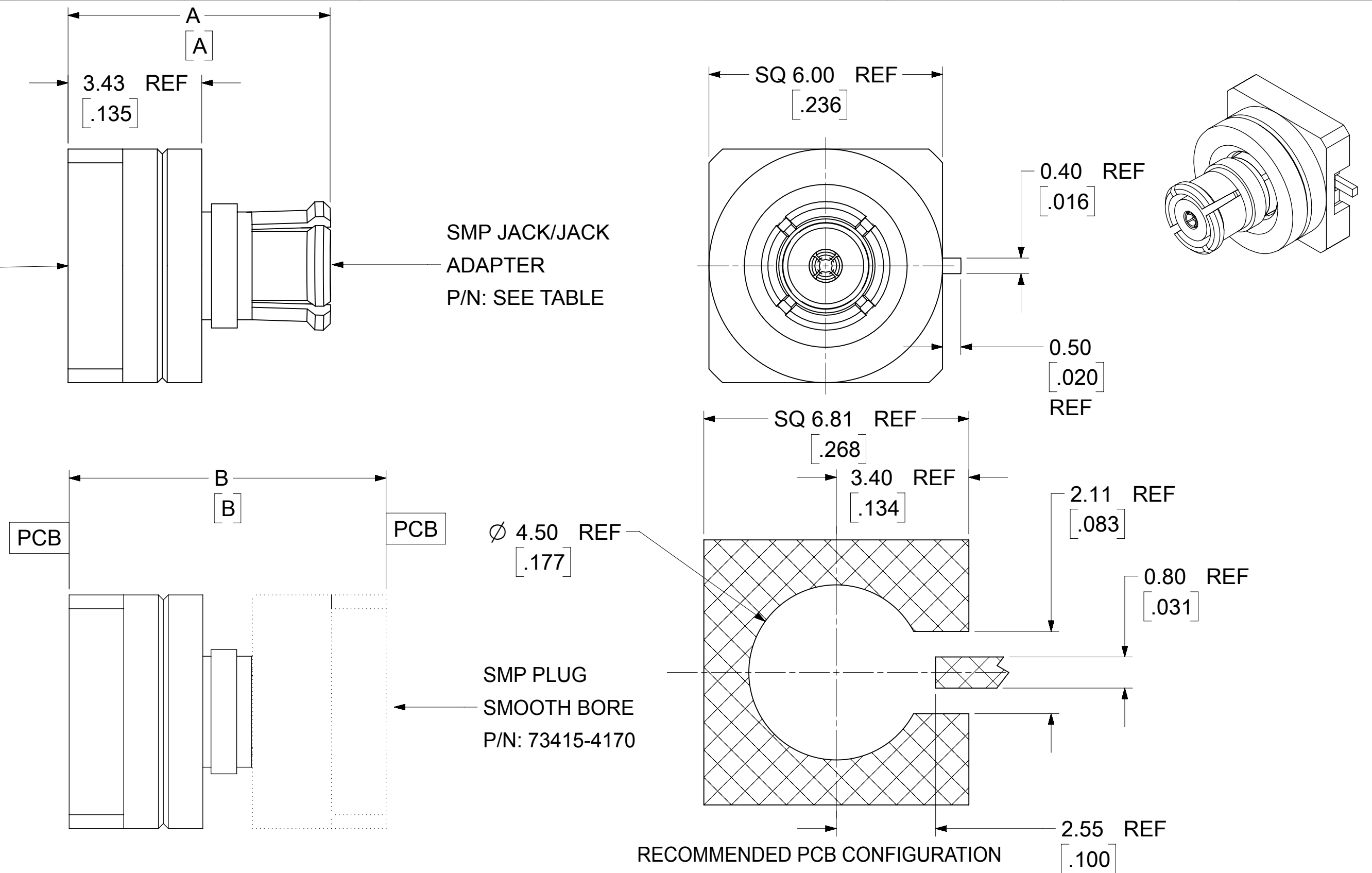
SMP JACK/JACK ADAPTER:
SEE SD-73415-418

KAPTON: POLYIMIDE
COLOR: BLACK

SMP PLUG
FULL DETENT
P/N: 73415-4160

SMP JACK/JACK
ADAPTER
P/N: SEE TABLE

SMP PLUG
SMOOTH BORE
P/N: 73415-4170



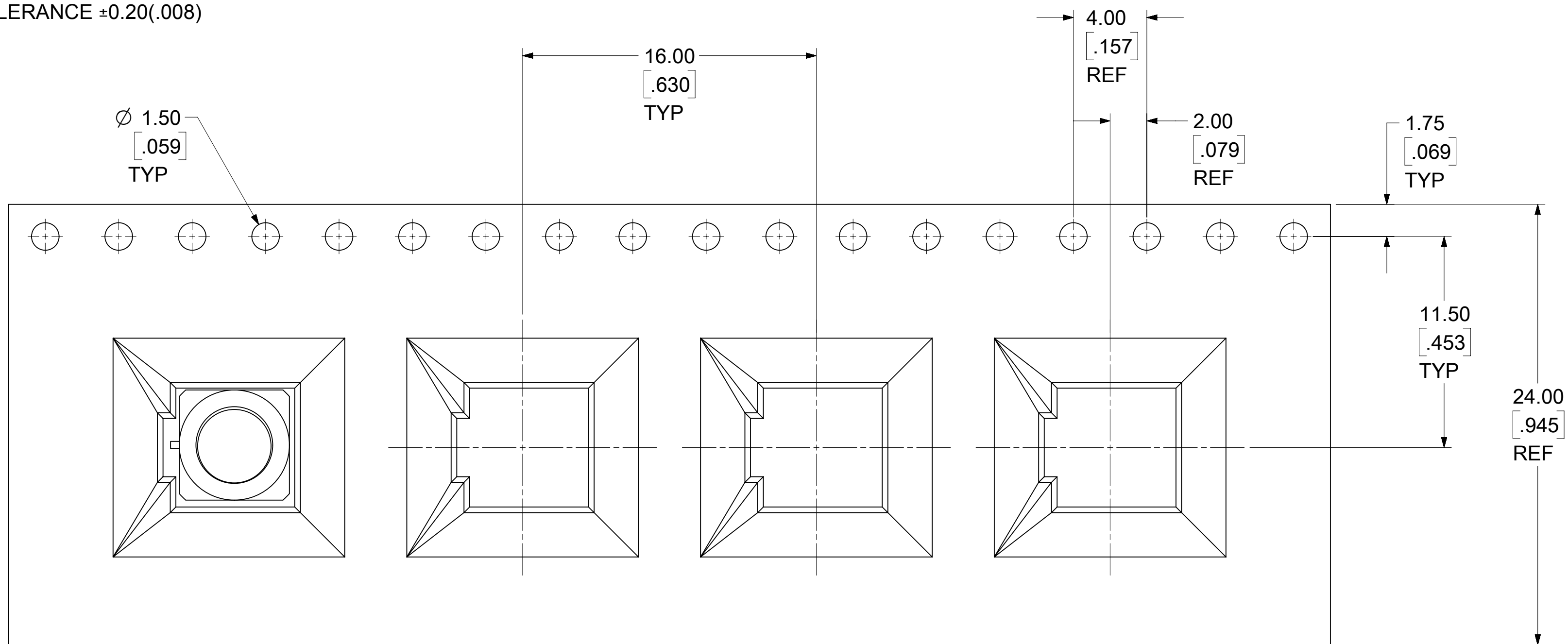
RECOMMENDED PCB CONFIGURATION

73415-4218	73415-4185	.281±.005	7.14±0.13	.332±.008	8.43±0.20	-4214 ONE PER BAG	895420470
73415-4217	73415-4184	.306±.006	7.77±0.15	.357±.009	9.07±0.23	-4213 ONE PER BAG	895420470
73415-4216	73415-4180	.219±.005	5.56±0.13	.270±.008	6.86±0.20	-4211 ONE PER BAG	895420470
73415-4215	73415-4181	.265±.005	6.73±0.13	.316±.008	8.03±0.20	-4210 ONE PER BAG	895420470
73415-4214	73415-4185	.281±.005	7.14±0.13	.332±.008	8.43±0.20	-4214 WITH TAPE & REEL WITH KAPTON	-----
73415-4213	73415-4184	.306±.006	7.77±0.15	.357±.009	9.07±0.23	-4213 WITH TAPE & REEL WITH KAPTON	-----
73415-4212	73415-4181	.265±.005	6.73±0.13	.316±.008	8.03±0.20	-4210 WITH TAPE & REEL WITH KAPTON	-----
73415-4211	73415-4180	.219±.005	5.56±0.13	.270±.008	6.86±0.20	-4211 WITH TRAY	895420040
73415-4210	73415-4181	.265±.005	6.73±0.13	.316±.008	8.03±0.20	-4210 WITH TRAY	895420040
PART NO.	SMP JACK/JACK	IN	MM	IN	MM	PACKAGING	PACKING SPEC
		DIM A		DIM B			

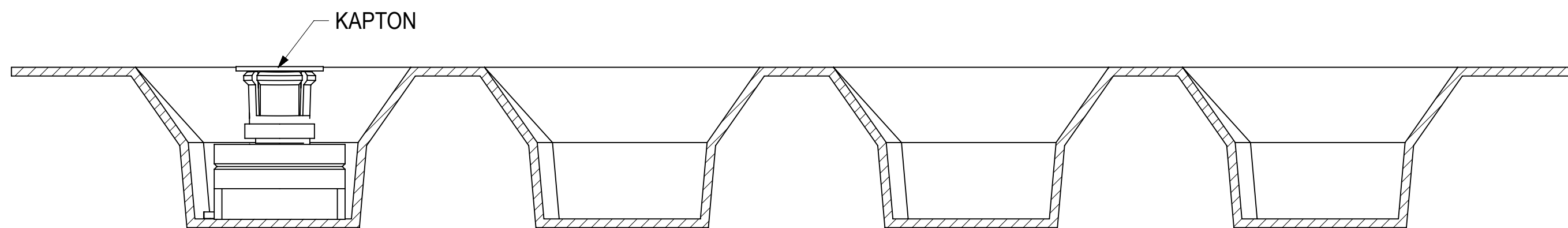
FUNCTIONAL SYMBOLS $\frac{F}{A} = 0$ $\frac{F}{C} = 0$ $\frac{F}{P} = 0$ #####	THIS DRAWING CONTAINS INFORMATION THAT IS PROPRIETARY TO MOLEX ELECTRONIC TECHNOLOGIES, LLC AND SHOULD NOT BE USED WITHOUT WRITTEN PERMISSION		CURRENT REV DESC:		
	DIMENSION UNITS MM/IN	SCALE NTS	EWR # 15321-E ADDED -4215, -4216, -4217, -4218 PART NO		
	GENERAL TOLERANCES (UNLESS SPECIFIED)		EC NO: 718007 DRWN: BSHAH CHK'D: YCHENG APPR: YCHENG		
	4 PLACES ± 3 PLACES ± 2 PLACES ± 1 PLACE ± 0 PLACES ±	MM INCH	2020/01/02 2022/08/24 2022/08/24	2004/03/24 2004/03/24	
ANGULAR TOL ± 0.5°		INITIAL REVISION: DRWN: AZR APPR: JDW		DOCUMENT NUMBER SD-73415-421	DOC TYPE PSD
DRAFT WHERE APPLICABLE MUST REMAIN WITHIN DIMENSIONS		THIRD ANGLE PROJECTION 	DRAWING C-SIZE	SERIES 73415	DOC PART 001
SHEET NUMBER 1 OF 7		MATERIAL NUMBER SEE TABLE		CUSTOMER 1 OF 7	

NOTE:

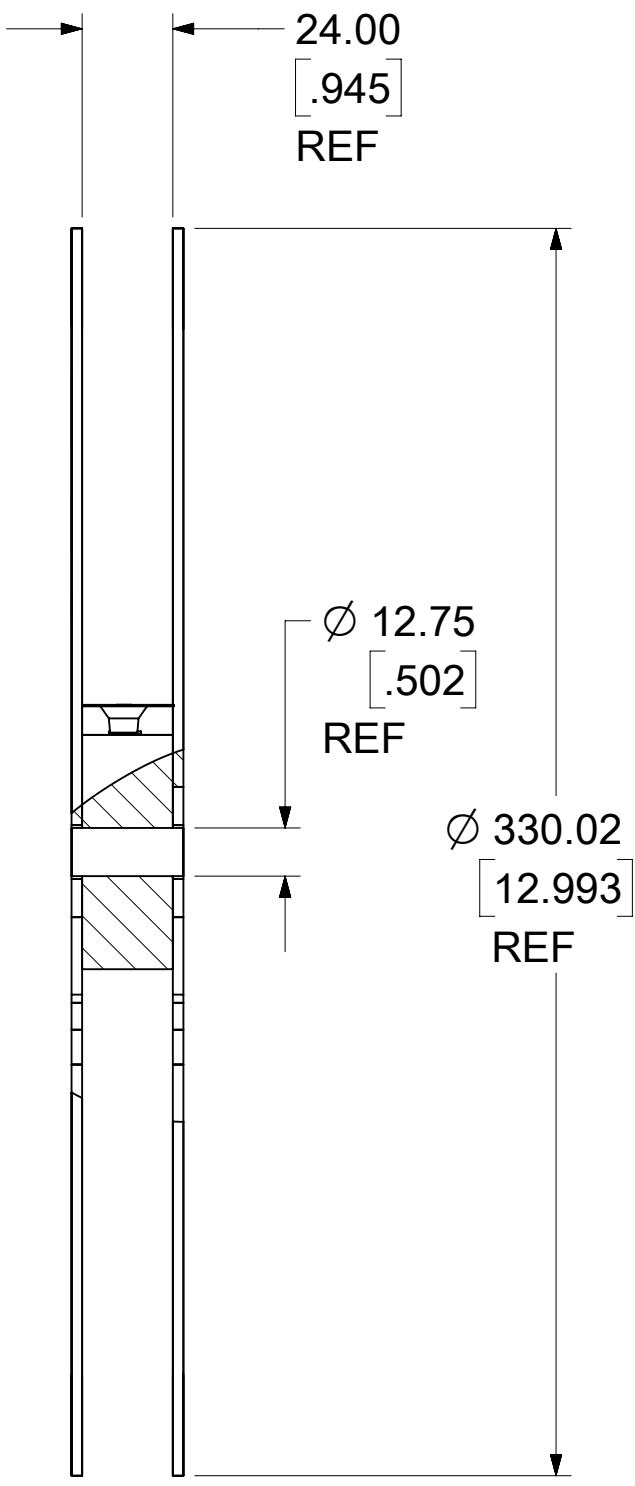
1. 10 PITCHES CUMULATIVE TOLERANCE ±0.20(.008)



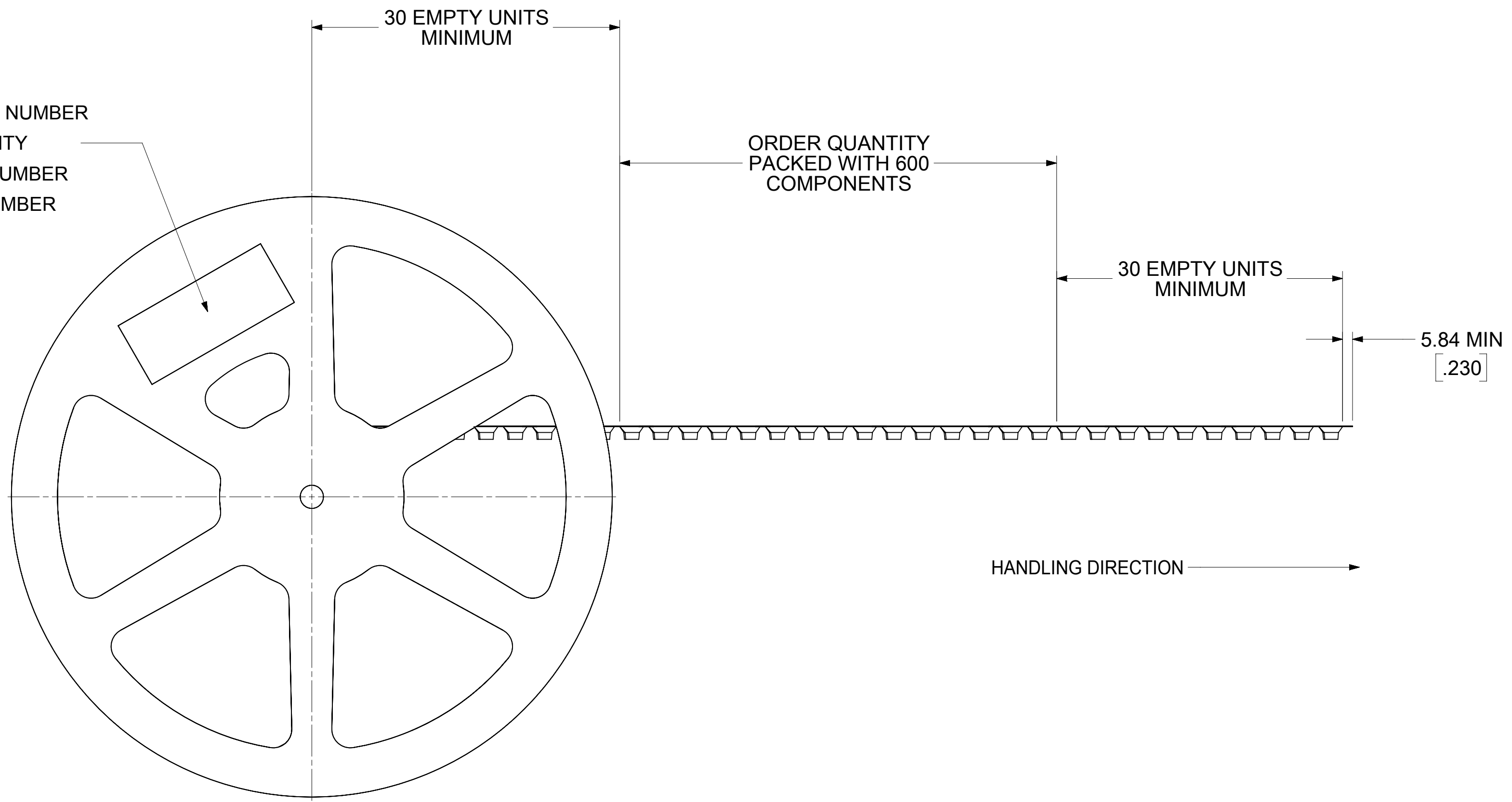
FOR 73415-4212 ONLY



FUNCTIONAL SYMBOLS	THIS DRAWING CONTAINS INFORMATION THAT IS PROPRIETARY TO MOLEX ELECTRONIC TECHNOLOGIES, LLC AND SHOULD NOT BE USED WITHOUT WRITTEN PERMISSION									
	DIMENSION UNITS		SCALE		CURRENT REV DESC:					
$F_A = 0$	MM/IN		NTS		EWR # 15321-E ADDED -4215, -4216, -4217, -4218 PART NO					
$F_C = 0$	GENERAL TOLERANCES (UNLESS SPECIFIED)									
$F_P = 0$	4 PLACES		±	±	EC NO: 718007		2020/01/02			
#####	3 PLACES		±	± 0.01	DRWN: BSHAH		2022/08/24			
	2 PLACES		±	0.25 ±	CHK'D: YCHENG		2022/08/24			
	1 PLACE		±	±	APPR: YCHENG		INITIAL REVISION:			
	0 PLACES		±	±	DRWN: AZR		2004/03/24			
	ANGULAR TOL		±	0.5 °	APPR: JDW		2004/03/24			
	DRAFT WHERE APPLICABLE MUST REMAIN WITHIN DIMENSIONS				THIRD ANGLE PROJECTION		DRAWING		SERIES	
					C-SIZE		73415		DOCUMENT NUMBER	
									SD-73415-421	
									DOC TYPE	
									PSD	
									DOC PART	
									001	
									REVISION	
									B6	
									MATERIAL NUMBER	
									SEE TABLE	
									CUSTOMER	
									SHEET NUMBER	
									2 OF 7	



LABEL :
 -ORDER NUMBER
 -QUANTITY
 -PART NUMBER
 -LOT NUMBER

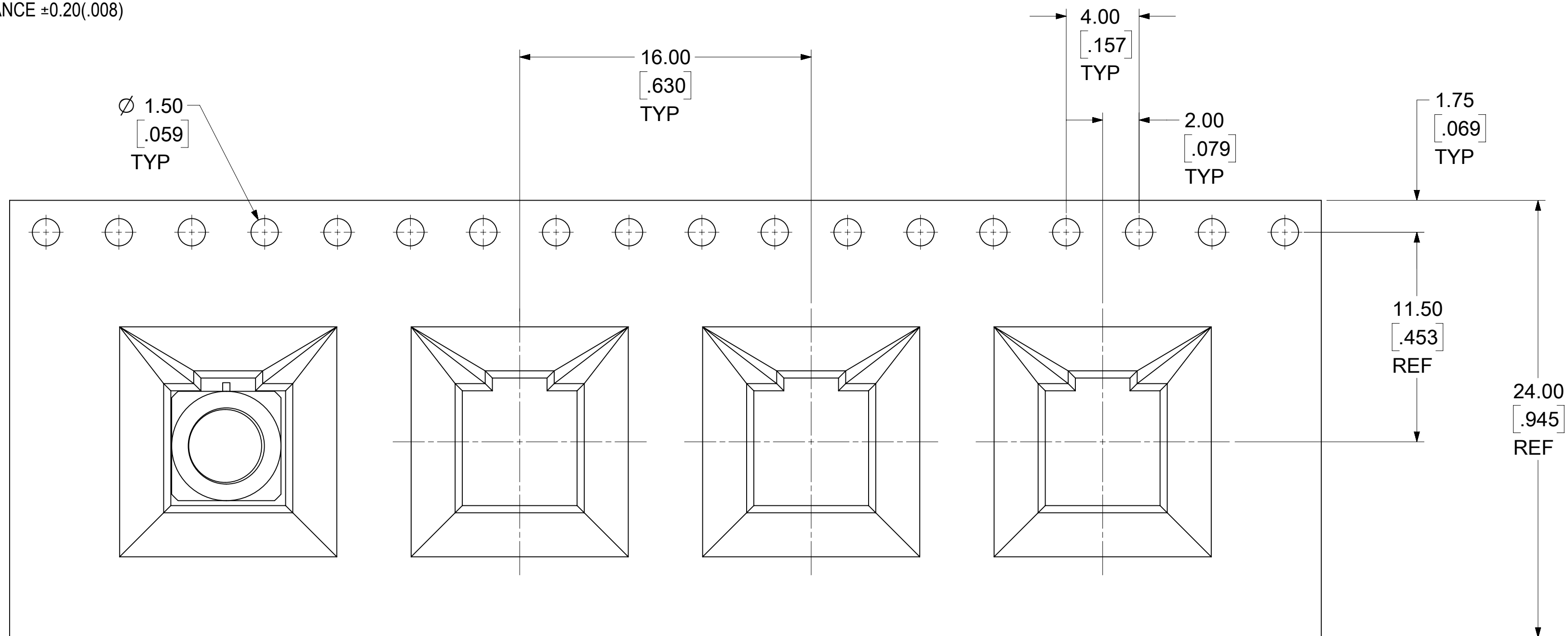


FOR 73415-4212 ONLY

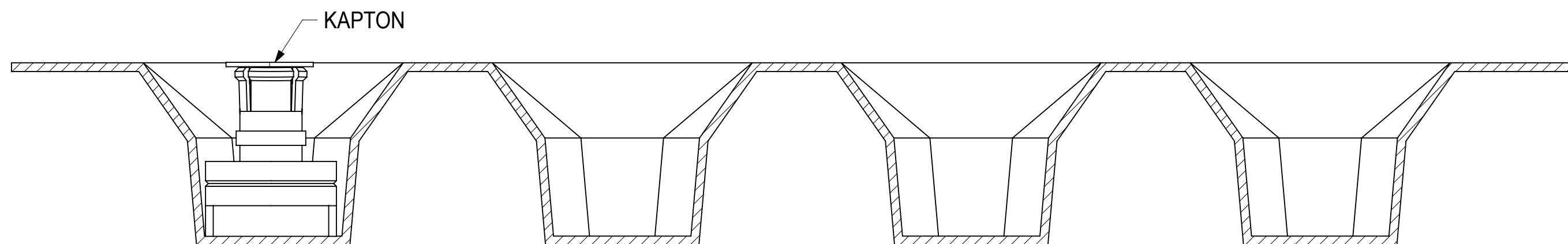
FUNCTIONAL SYMBOLS FA = 0 FC = 0 FP = 0 #####	THIS DRAWING CONTAINS INFORMATION THAT IS PROPRIETARY TO MOLEX ELECTRONIC TECHNOLOGIES, LLC AND SHOULD NOT BE USED WITHOUT WRITTEN PERMISSION												
	DIMENSION UNITS		SCALE		CURRENT REV DESC:								
	MM/IN		NTS		EWR # 15321-E ADDED -4215 , -4216 , -4217 , -4218 PART NO								
	GENERAL TOLERANCES (UNLESS SPECIFIED)												
	4 PLACES		±	±	EC NO: 718007		2020/01/02		SMP ADAPTER ASSEMBLY 50? EWR-11818, SMP-P/J/PCB				
	3 PLACES		±	± 0.01	DRWN: BSHAH		2022/08/24						
	2 PLACES		± 0.25	±	CHK'D: YCHENG		2022/08/24						
	1 PLACE		±	±	APPR: YCHENG		2022/08/24		PRODUCT CUSTOMER DRAWING				
	0 PLACES		±	±	INITIAL REVISION:				DOCUMENT NUMBER		DOC TYPE	DOC PART	REVISION
	ANGULAR TOL		± 0.5 °		DRWN: AZR		2004/03/24		SD-73415-421		PSD	001	B6
DRAFT WHERE APPLICABLE MUST REMAIN WITHIN DIMENSIONS				APPR: JDW		2004/03/24		MATERIAL NUMBER		CUSTOMER		SHEET NUMBER	
				THIRD ANGLE PROJECTION		DRAWING		SERIES					
						C-SIZE		73415		SEE TABLE		3 OF 7	

NOTE:

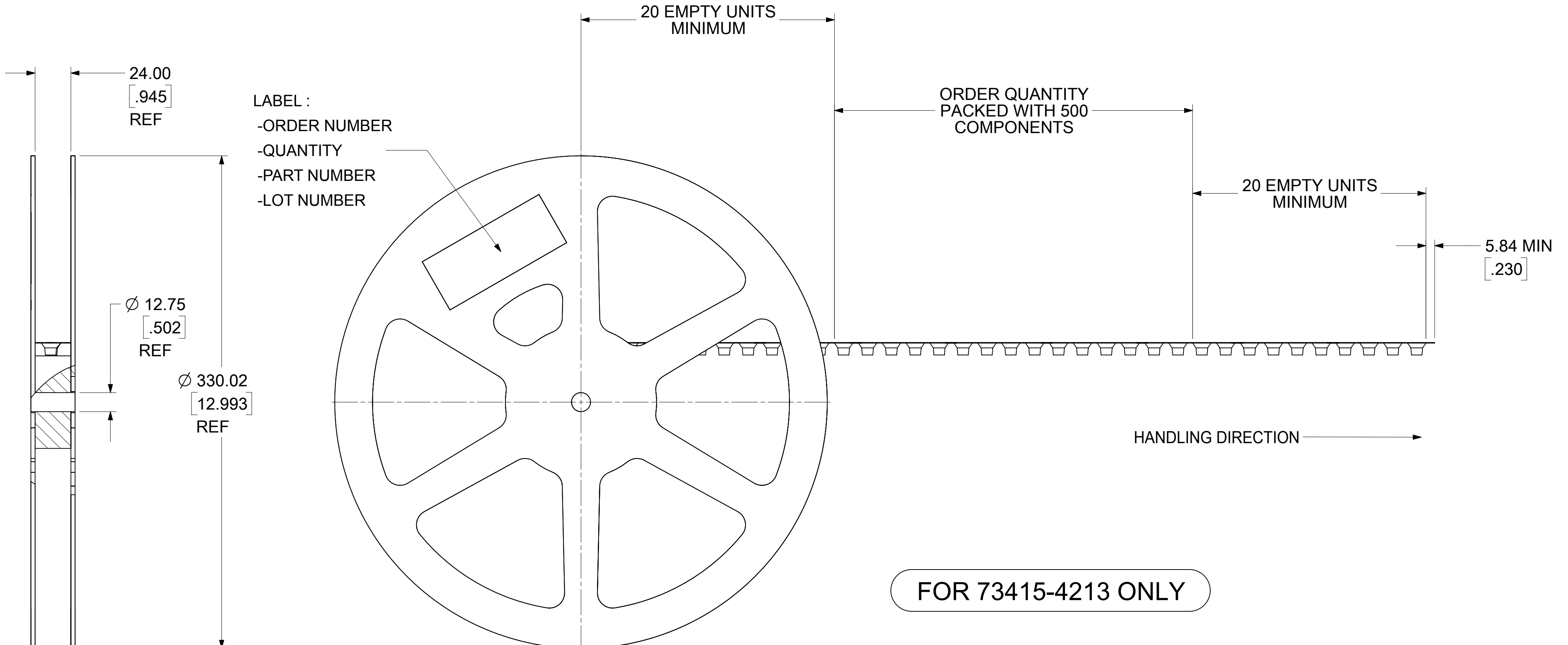
1. 10 PITCHES CUMULATIVE TOLERANCE ±0.20(.008)



FOR 73415-4213 ONLY



FUNCTIONAL SYMBOLS	THIS DRAWING CONTAINS INFORMATION THAT IS PROPRIETARY TO MOLEX ELECTRONIC TECHNOLOGIES, LLC AND SHOULD NOT BE USED WITHOUT WRITTEN PERMISSION										
	DIMENSION UNITS		SCALE		CURRENT REV DESC:						
$\frac{F}{A} = 0$	MM/IN	NTS		EWR # 15321-E ADDED -4215, -4216, -4217, -4218 PART NO						SMP ADAPTER ASSEMBLY 50? EWR-11818, SMP-P/J/PCB	
$\frac{F}{C} = 0$	GENERAL TOLERANCES (UNLESS SPECIFIED)			EC NO: 718007 DRWN: BSHAH 2020/01/02 CHK'D: YCHENG 2022/08/24 APPR: YCHENG 2022/08/24							
$\frac{F}{P} = 0$	4 PLACES	±	±	INITIAL REVISION:						DOCUMENT NUMBER SD-73415-421	
#####	3 PLACES	±	± 0.01	DRWN: AZR 2004/03/24 APPR: JDW 2004/03/24							
	2 PLACES	±	0.25 ±	SERIES 73415						DOC PART 001	
	1 PLACE	±	±	MATERIAL NUMBER SEE TABLE							
	0 PLACES	±	±	CUSTOMER SEE TABLE						SHEET NUMBER 4 OF 7	
	ANGULAR TOL ± 0.5 °			THIRD ANGLE PROJECTION		DRAWING		SERIES			
	DRAFT WHERE APPLICABLE MUST REMAIN WITHIN DIMENSIONS					C-SIZE		73415		4 OF 7	



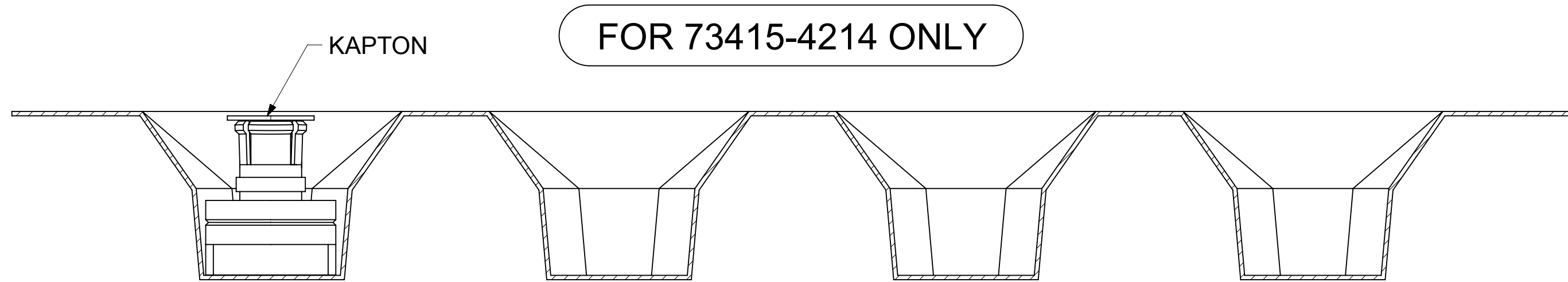
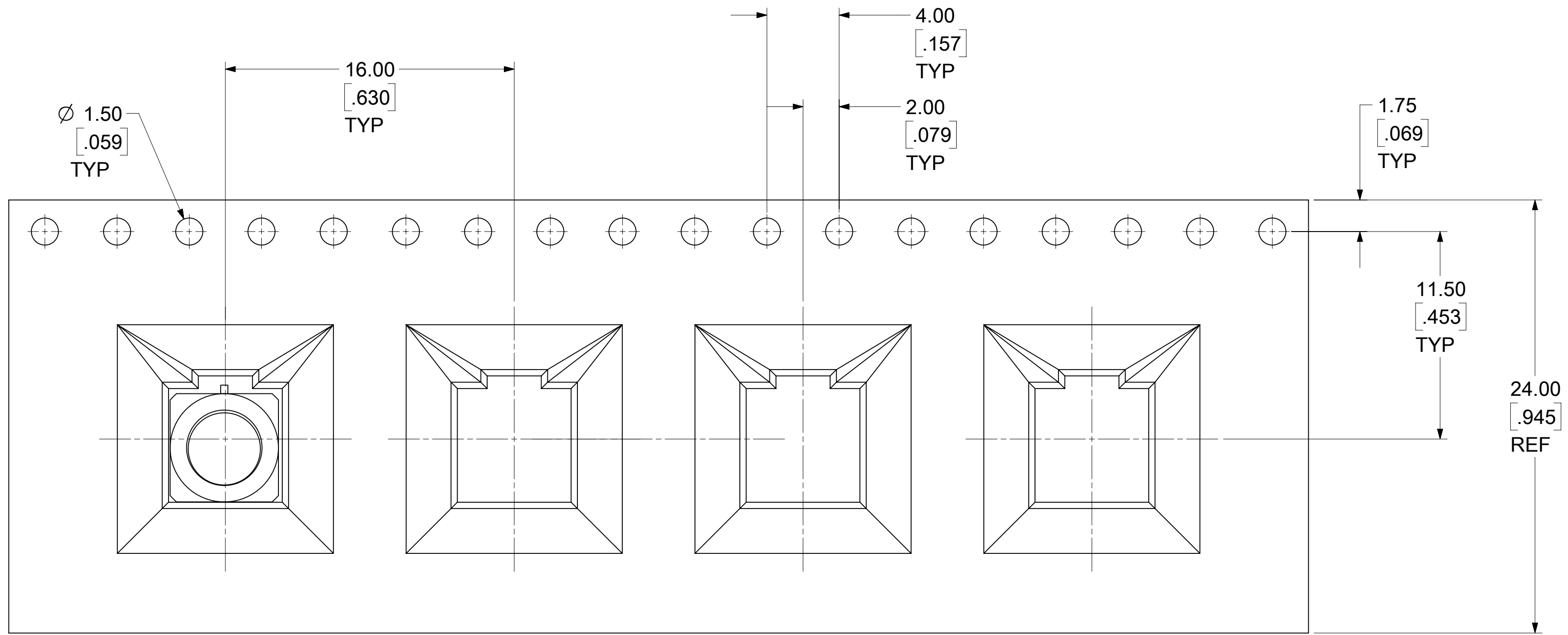
LABEL :
 -ORDER NUMBER
 -QUANTITY
 -PART NUMBER
 -LOT NUMBER

FOR 73415-4213 ONLY

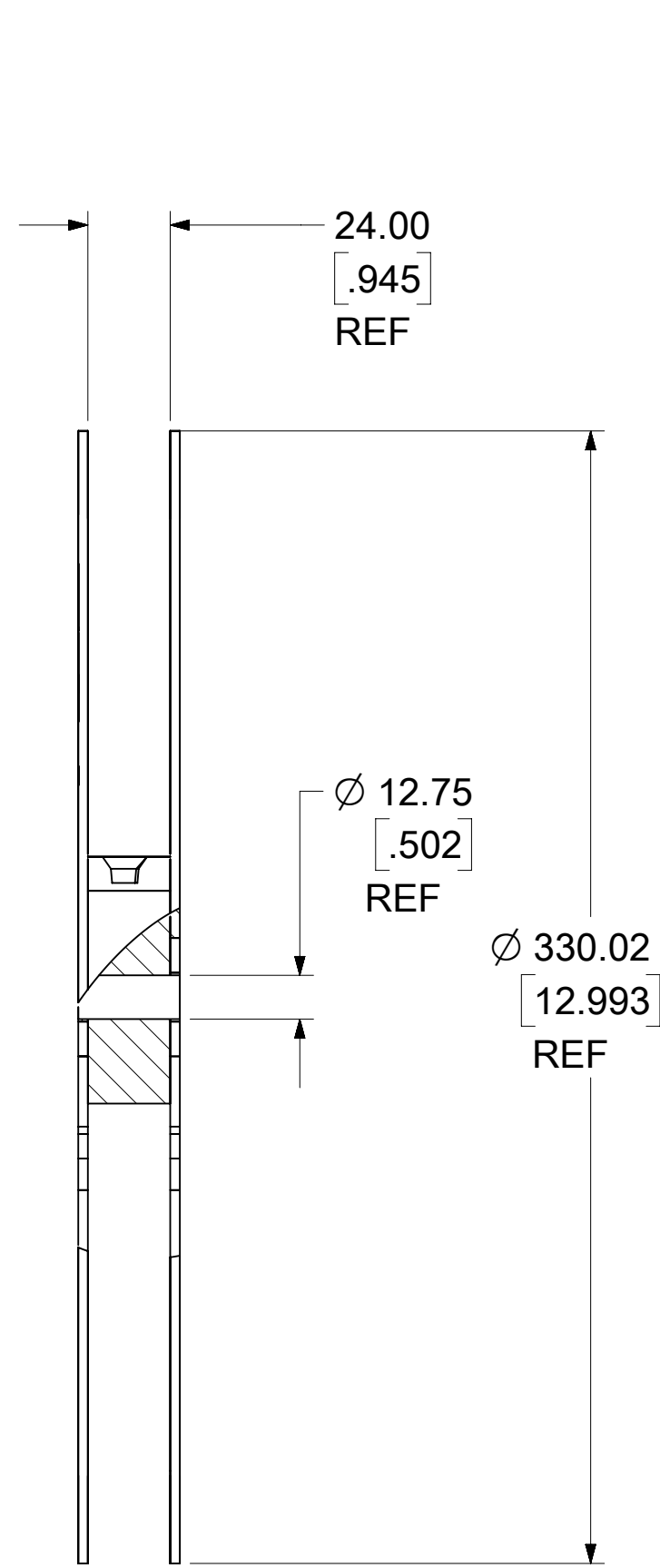
SEE SHEET 1 FOR PCB LAYOUT

FUNCTIONAL SYMBOLS	THIS DRAWING CONTAINS INFORMATION THAT IS PROPRIETARY TO MOLEX ELECTRONIC TECHNOLOGIES, LLC AND SHOULD NOT BE USED WITHOUT WRITTEN PERMISSION										
	DIMENSION UNITS	SCALE		CURRENT REV DESC:							
$\frac{F}{A} = 0$	MM/IN	NTS		EWR # 15321-E ADDED -4215 , -4216 , -4217 , -4218 PART NO							
$\frac{F}{C} = 0$	GENERAL TOLERANCES (UNLESS SPECIFIED)			EC NO: 718007						SMP ADAPTER ASSEMBLY 50? EWR-11818, SMP-P/J/PCB	
$\frac{F}{P} = 0$		MM	INCH	DRWN: BSHAH 2020/01/02							
#####	4 PLACES	±	±	CHK'D: YCHENG 2022/08/24						PRODUCT CUSTOMER DRAWING	
	3 PLACES	±	± 0.01	APPR: YCHENG 2022/08/24							
	2 PLACES	±	0.25 ±	INITIAL REVISION:						DOCUMENT NUMBER	
	1 PLACE	±	±	DRWN: AZR 2004/03/24							
	0 PLACES	±	±	APPR: JDW 2004/03/24						SD-73415-421	
	ANGULAR TOL	±	0.5 °	THIRD ANGLE PROJECTION		DRAWING		SERIES		MATERIAL NUMBER	
	DRAFT WHERE APPLICABLE MUST REMAIN WITHIN DIMENSIONS					C-SIZE		73415		CUSTOMER	
								SEE TABLE		SHEET NUMBER	
										5 OF 7	

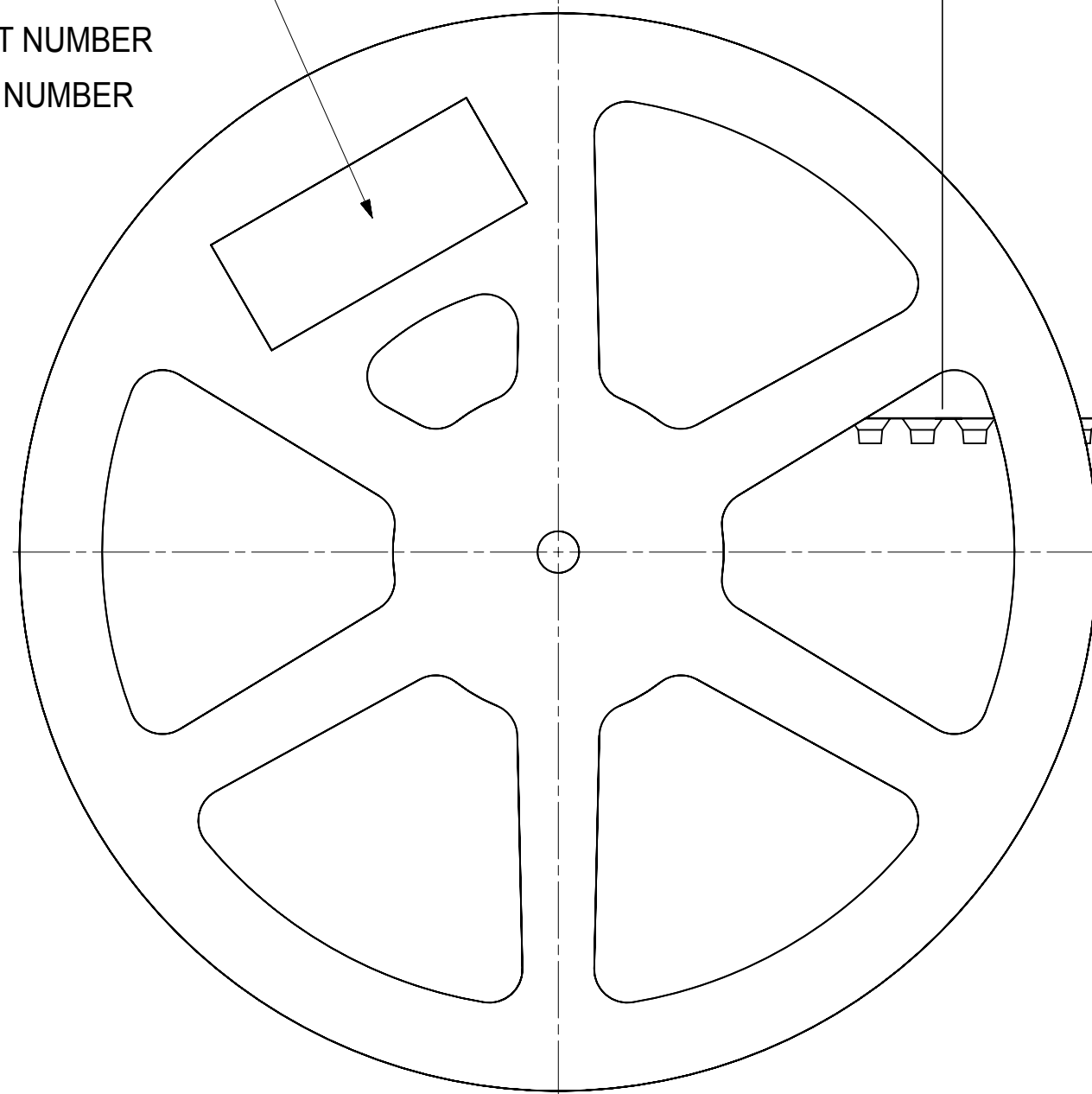
DOCUMENT STATUS	P1	RELEASE DATE	2022/08/24 02:18:05
-----------------	----	--------------	---------------------



FUNCTIONAL SYMBOLS $\nabla_A = 0$ $\nabla_C = 0$ $\nabla_P = 0$ #####	THIS DRAWING CONTAINS INFORMATION THAT IS PROPRIETARY TO MOLEX ELECTRONIC TECHNOLOGIES, LLC AND SHOULD NOT BE USED WITHOUT WRITTEN PERMISSION																
	DIMENSION UNITS		SCALE		CURRENT REV DESC:												
	MM/IN		NTS		EWR # 15321-E ADDED -4215 , -4216 , -4217 , -4218 PART NO												
	GENERAL TOLERANCES (UNLESS SPECIFIED)										EC NO: 718007 DRWN: BSHAH 2020/01/02 CHK'D: YCHENG 2022/08/24 APPR: YCHENG 2022/08/24						
	4 PLACES		±		±		INITIAL REVISION: DRWN: AZR 2004/03/24 APPR: JDW 2004/03/24										
	3 PLACES		±		± 0.01								DOCUMENT NUMBER				DOC TYPE
	2 PLACES		±		0.25		SD-73415-421				PSD		001		B6		
	1 PLACE		±		±		MATERIAL NUMBER				CUSTOMER						
	0 PLACES		±		±		SEE TABLE				SHEET NUMBER						
	ANGULAR TOL		±		0.5 °		THIRD ANGLE PROJECTION				DRAWING		SERIES		SHEET NUMBER		
DRAFT WHERE APPLICABLE MUST REMAIN WITHIN DIMENSIONS												C-SIZE		73415		6 OF 7	



LABEL:
-ORDER NUMBER
-QUANTITY
-PART NUMBER
-LOT NUMBER



25 EMPTY UNITS
MINIMUM

ORDER QUANTITY
PACKED WITH 500
COMPONENTS

25 EMPTY UNITS
MINIMUM

5.84
[.230]
MIN

HANDLING DIRECTION →

FOR 73415-4214 ONLY

FUNCTIONAL SYMBOLS FA = 0 FC = 0 FP = 0 #####	THIS DRAWING CONTAINS INFORMATION THAT IS PROPRIETARY TO MOLEX ELECTRONIC TECHNOLOGIES, LLC AND SHOULD NOT BE USED WITHOUT WRITTEN PERMISSION														
	DIMENSION UNITS		SCALE		CURRENT REV DESC:										
	MM/IN		NTS		EWR # 15321-E ADDED -4215 , -4216 , -4217 , -4218 PART NO										
	GENERAL TOLERANCES (UNLESS SPECIFIED)										SMP ADAPTER ASSEMBLY 50? EWR-11818, SMP-P/J/PCB PRODUCT CUSTOMER DRAWING				
	4 PLACES		±	±	EC NO: 718007		2020/01/02		DOCUMENT NUMBER				DOC TYPE	DOC PART	REVISION
	3 PLACES		±	± 0.01	DRWN: BSHAH		2022/08/24		SD-73415-421				PSD	001	B6
	2 PLACES		± 0.25	±	CHK'D: YCHENG		2022/08/24								
	1 PLACE		±	±	APPR: YCHENG		2022/08/24								
	0 PLACES		±	±	INITIAL REVISION:		2004/03/24		MATERIAL NUMBER		CUSTOMER		SHEET NUMBER		
	ANGULAR TOL		± 0.5 °		DRWN: AZR		2004/03/24		SEE TABLE				7 OF 7		
DRAFT WHERE APPLICABLE MUST REMAIN WITHIN DIMENSIONS				THIRD ANGLE PROJECTION		DRAWING		SERIES							
						C-SIZE		73415							