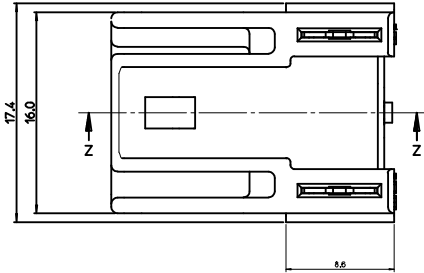
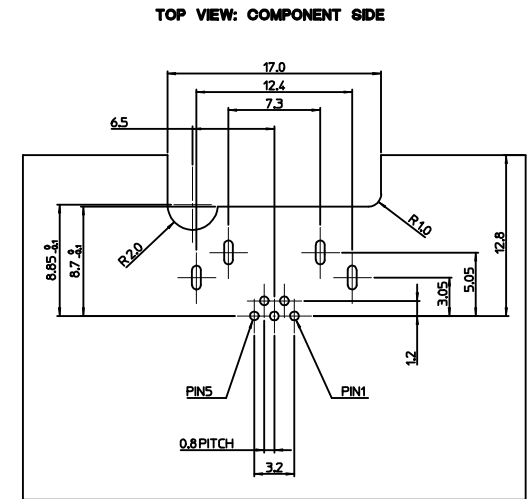
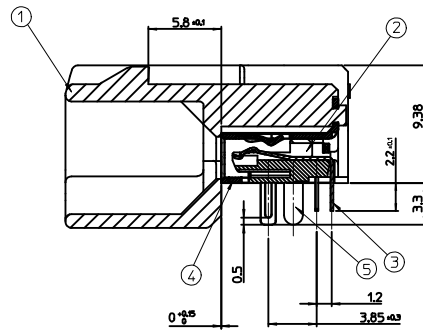


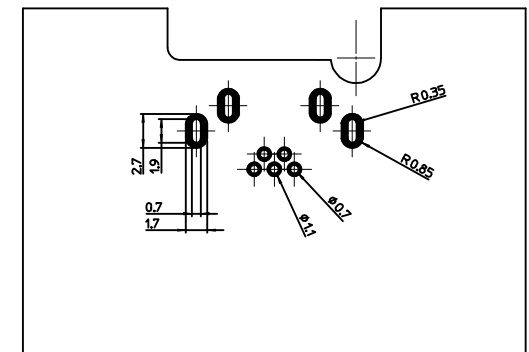
ISOVIEW



SECTION Z-Z

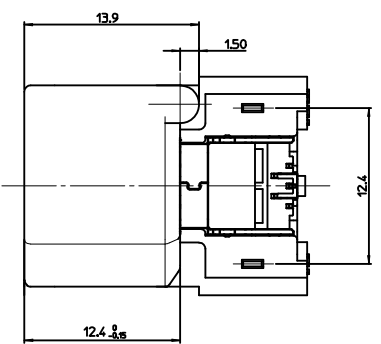
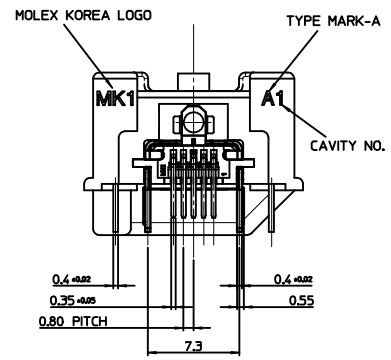
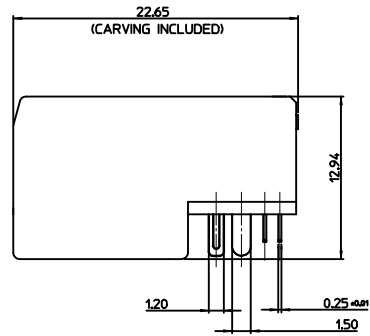
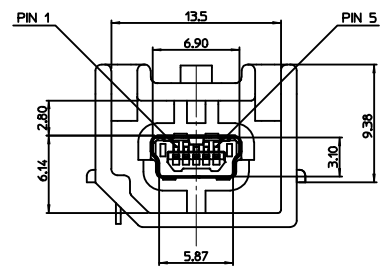


BOTTOM VIEW: SOLDER SIDE



GENERAL TOLERANCE : ±0.05

RECOMMENDED PCB LAYOUT



<PART LIST>

NO.	PART NAME	MATERIALS
①	SHROUD	LCP, GLASS FILLED, UL94 V-0
②	REC. HOUSING	LCP, GLASS FILLED, UL94 V-0
③	TERMINAL	COPPER ALLOY
④	SHIELD CASE	PHOSPHOR BRONZE
⑤	FITTING NAIL	BRASS

- NOTES
- MATES WITH :
(MOLEX SERIES NO. : 111014, 111015, 111005, 111041, 111019, 111020)
 - SHROUD GEOMETRY AND ASSEMBLY WITH USB MINI-B CONNECTOR ARE ACCORDING TO USCAR STD 999-U-USB-Z01
 - FINISHES
 - TERMINAL :
CONTACT AREA : GOLD 0.75μm MIN.
SOLDER TAIL AREA : TIN 3.8μm MIN.
UNDER PLATING : NI 1.25μm MIN.
 - SHIELD CASE :
3.0μm MIN. TIN OVER NI 1.0μm MIN.
 - FITTING NAIL :
3.0μm MIN. TIN OVER NI 1.0μm MIN.
 - UNLESS OTHERWISE SPECIFIED, TYPICAL RECOMMENDED PCB MANUFACTURING TOLERANCE IS ±0.05
 - PCB THICKNESS : 1.6mm(REFERENCE)

<TABLE 1>

MATERIAL NO.	ORDER NO.	PACKAGING	COLOR
496160101	49616-0101	Tray	BLACK
496160301	49616-0301	REEL & TAPE	BLACK

REVISED REC NO: K1R2015-0001 DRW: YIBAEC CHKD: APPR: JYCHOI A1	DESCRIPTION 2014/08/21	QUALITY SYMBOLS ▽=0 ▽=0	GENERAL TOLERANCES (UNLESS SPECIFIED) mm INCH 4 PLACES ± --- ± --- 3 PLACES ± --- ± --- 2 PLACES ± 0.25 ± --- 1 PLACE ± 0.15 ± --- ANGULAR ± 1°	DIMENSION STYLE MM ONLY	SCALE DESIGN UNITS METRIC	THIRD ANGLE PROJECTION
		DRAWN BY YIBAEC	DATE 2014/07/31	TITLE HSAUTOLINK R/A HEADER T TYPE - A (SOLDER TAIL =2.2MM)		
		CHECKED BY JYCHOI	DATE 2014/08/21	MOLEX INCORPORATED		
		APPROVED BY JYCHOI	DATE 2014/08/21	DOCUMENT NO. SD-49616-003		
DRAFT WHERE APPLICABLE MUST REMAIN WITHIN DIMENSIONS			SEE TABLE	THIS DRAWING CONTAINS INFORMATION THAT IS PROPRIETARY TO MOLEX INCORPORATED AND SHOULD NOT BE USED WITHOUT WRITTEN PERMISSION	SHEET NO. 1 OF 1	