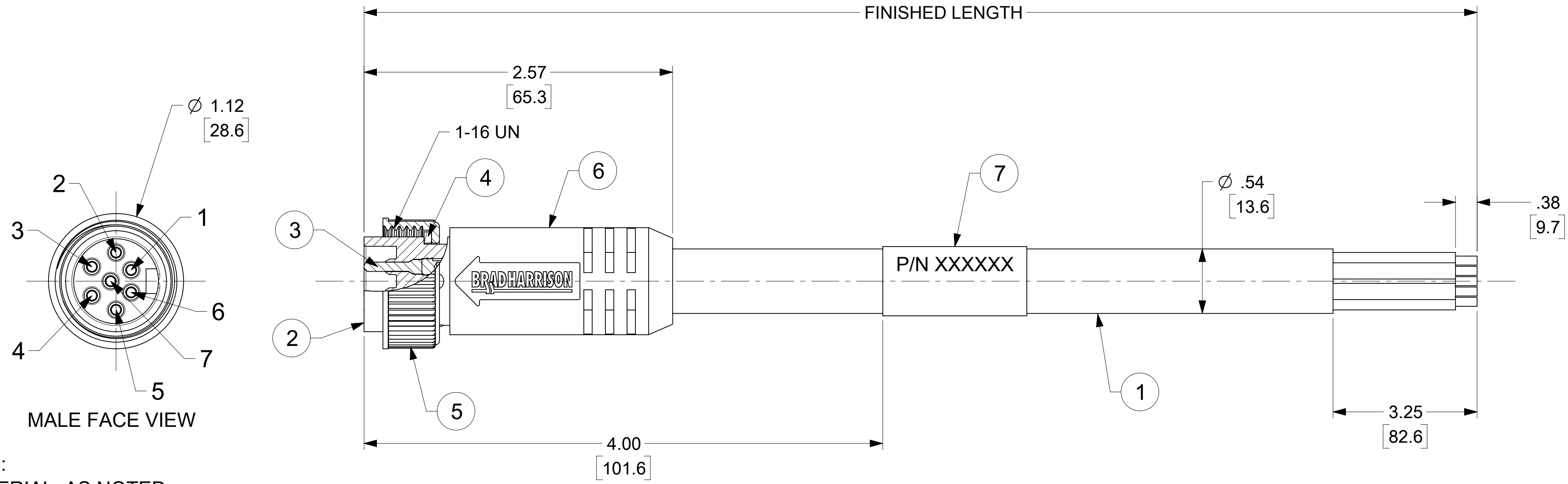
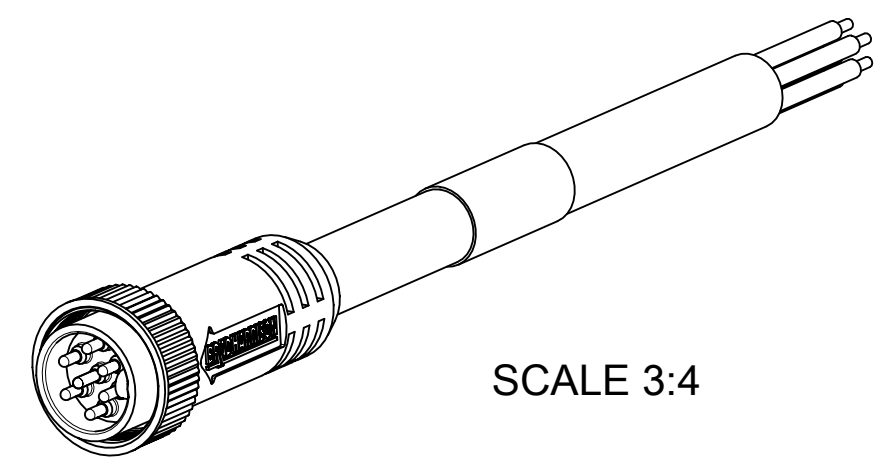


MATERIAL NO.	ENGINEERING NO.	FINISHED LENGTH
1300070113	207002A01F030	3 FT (0.91 M)
1300070115	207002A01F060	6 FT (1.82 M)
1300070117	207002A01F120	12 FT (3.65 M)
1300070442	207002A01F150	15 FT (4.57 M)

CABLE LENGTH TOLERANCES
 <.3M [1FT]: +19mm-0 [+ .75in-0]
 .3 - .9M [1 - 3FT]: +44.5mm-0 [+1.75in-0]
 .9 - 1.8M [3 - 6FT]: +55.6mm-0 [+2.19in-0]
 1.8 - 3.7M [6 - 12FT]: +88.9mm-0 [+3.50in-0]
 3.7 - 7.3M [12 - 24FT]: +165.1mm-0 [+6.50in-0]
 7.3-14.6M [24 - 48FT]: +317.5mm-0 [+12.50in-0]
 14.6 - 30.5M [48-100FT]: +622.3mm-0 [+24.50in-0]
 OVER 30M [100FT] +2% OF FINISHED LENGTH



- NOTES:**
- MATERIAL: AS NOTED
 - FINISH: AS NOTED
 - ELECTRICAL:
 VOLTAGE: 320V PER IEC60664
 600V PER UL2238
 CURRENT: 8A
 - TEMP RATING: -20°C TO +105°C
 - PROTECTION: IP67 (WHEN MATED)
 - CSA CERTIFIED FILE: LR6837
 - UL RECOGNIZED FILE: E152210
 - ALL DIMS ARE FOR REFERENCE UNLESS TOLERANCED OR NOTED OTHERWISE

WIRING DIAGRAM

1	WHITE/BLACK
2	BLACK
3	WHITE
4	RED
5	ORANGE
6	BLUE
7	GREEN/YELLOW

PART NUMBER LEGEND

207000A01F030

FINISHED LENGTH
 F001= .1 FT
 F020= 2 FT
 F200= 20 FT

ITEM	DESCRIPTION	MATERIAL	FINISH
7	WRAP LABEL	VINYL	BLACK/YELLOW
6	OVERMOLD	TPE	YELLOW
5	COUPLING NUT	ZINC DIE CAST	BLACK E-COAT
4	FRICTION RING	NYLON	WHITE
3	PIN CONTACT	Cu ALLOY	GOLD OVER NICKEL
2	MALE INSERT	TPE	YELLOW
1	CABLE, 16-7, STOOV/ST	PVC JACKET	YELLOW
	DOCUMENT STATUS	P1	RELEASE DATE
			2022/08/22 20:40:19

FUNCTIONAL SYMBOLS	THIS DRAWING CONTAINS INFORMATION THAT IS PROPRIETARY TO MOLEX ELECTRONIC TECHNOLOGIES, LLC AND SHOULD NOT BE USED WITHOUT WRITTEN PERMISSION			
	DIMENSION UNITS	SCALE		CURRENT REV DESC: UPDATED ITEM #2,6 & 7. ADDED CSA, UL, IEC VOLT, TEMP RATING, IP RATING & TOL. CHART. MODIFIED PN CHART
	INCH/MM	1.5:1		
	GENERAL TOLERANCES (UNLESS SPECIFIED)			
DIVISIONAL SYMBOLS	4 PLACES	±	±	EC NO: 718076 DRWN: VHANDI 2021/06/06 CHK'D: RSTONE 2022/08/18 APPR: BWOODMAN 2022/08/22
	3 PLACES	±	±	
	2 PLACES	±	±	
	1 PLACE	±	±	
INITIAL REVISION:				DOCUMENT NUMBER
0 PLACES	±	±	DRWN: BRUPERT 2009/06/02 APPR: JFMURPHY 2009/06/10	
ANGULAR TOL ± °				SD-130007-003
DRAFT WHERE APPLICABLE MUST REMAIN WITHIN DIMENSIONS				
THIRD ANGLE PROJECTION		DRAWING	SERIES	MATERIAL NUMBER
C-SIZE		130007	SEE TABLE	CUSTOMER
				GENERAL MARKET
				SHEET NUMBER
				1 OF 1



MINI-CHANGE CORDSET, SIZE B, 7 POLE, MALE, STRAIGHT, SINGLE KEY, 16 AWG

PRODUCT CUSTOMER DRAWING

PSD 001 B