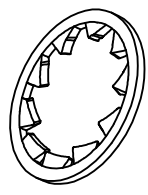
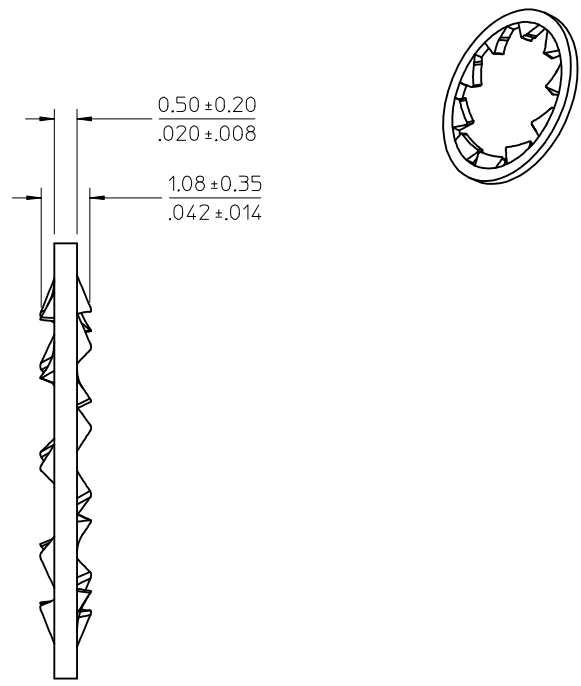
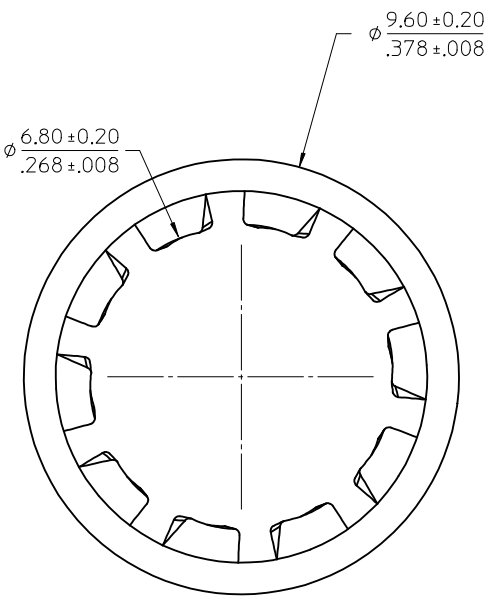


MATERIAL AND FINISH
 PHOSPHOR BRONZE
 PLATED GOLD 1μ MIN. OVER
 NICKEL 50μ MIN.
 PACKAGE BY POLYBAG



PART NO. # 89610-1143

CHG:NEW RELEASE
 EWR RF15-142
 EC NO: URF2015-0459
 DRAWN:YCHENG 2015/03/04
 CHKD:
 APPR:YCHENG
 2015/03/06

REV	DESCRIPTION	QUALITY SYMBOLS
		= 0
		= 0
		= 0

GENERAL TOLERANCES (UNLESS SPECIFIED)	
mm	INCH
4 PLACES ± .005	± .0002
3 PLACES ± .003	± .0001
2 PLACES ± .002	± .0001
1 PLACE ± .001	± .0001
0 PLACE ± .001	± .0001
ANGULAR ± 2°	
DRAFT WHERE APPLICABLE MUST REMAIN WITHIN DIMENSIONS	

DIMENSION STYLE	
MM/IN	
DRAWN BY	DATE
YCHENG	2015/03/04
CHECKED BY	DATE
JOANNE	2015/03/04
APPROVED BY	DATE
YCHENG	2015/03/06

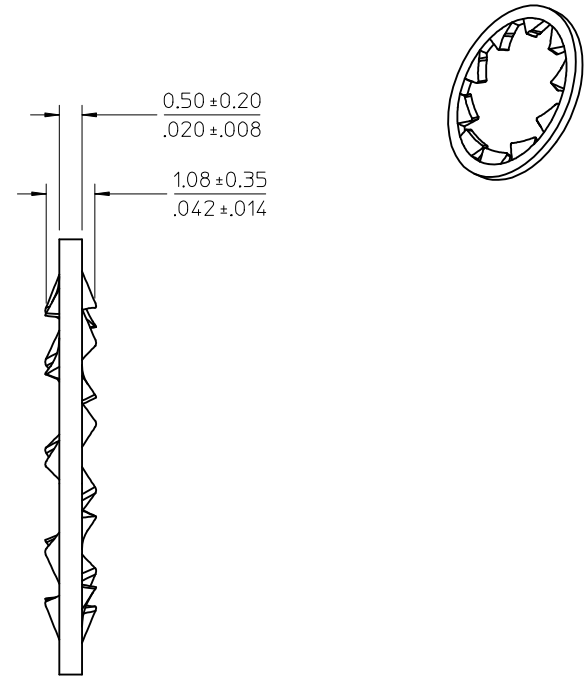
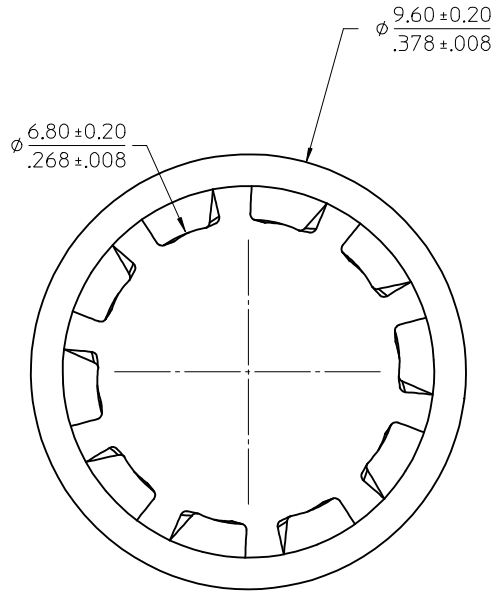
SCALE	DESIGN UNITS	THIRD ANGLE PROJECTION
12:1	METRIC	
TITLE		
LOCK WASHER		
MATERIAL NO.		SHEET NO.
896101143		1 OF 1
DOCUMENT NO.		
SD-89610-1143		
THIS DRAWING CONTAINS INFORMATION THAT IS PROPRIETARY TO MOLEX INCORPORATED AND SHOULD NOT BE USED WITHOUT WRITTEN PERMISSION		



MATERIAL AND FINISH

PHOSPHOR BRONZE
 PLATED GOLD 1μ MIN. OVER
 NICKEL 50μ MIN.

PACKAGE BY POLYBAG



PART NO. # 89610-1143

CHG:NEW RELEASE
 EWR RF15-142
 EC NO: URF2015-0459
 DRAWN:YCHENG 2015/03/04
 CHKD:
 APPR:YCHENG
 2015/03/06

REV	DESCRIPTION	QUALITY SYMBOLS
A		▽=0
		▽=0
		▽=0

GENERAL TOLERANCES (UNLESS SPECIFIED)	
mm	INCH
4 PLACES ± .---	± .---
3 PLACES ± .---	± .---
2 PLACES ± .---	± .---
1 PLACE ± .---	± .---
0 PLACE ± .---	± .---
ANGULAR ± 2 °	
DRAFT WHERE APPLICABLE MUST REMAIN WITHIN DIMENSIONS	

DIMENSION STYLE	
MM/IN	
DRAWN BY	DATE
YCHENG	2015/03/04
CHECKED BY	DATE
JOANNE	2015/03/04
APPROVED BY	DATE
YCHENG	2015/03/06

SCALE	DESIGN UNITS	THIRD ANGLE PROJECTION
12:1	METRIC	
TITLE		
LOCK WASHER		
MATERIAL NO.		SHEET NO.
896101143		1 OF 1
DOCUMENT NO.		
SD-89610-1143		
THIS DRAWING CONTAINS INFORMATION THAT IS PROPRIETARY TO MOLEX INCORPORATED AND SHOULD NOT BE USED WITHOUT WRITTEN PERMISSION		

