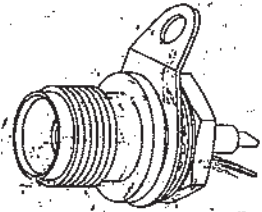
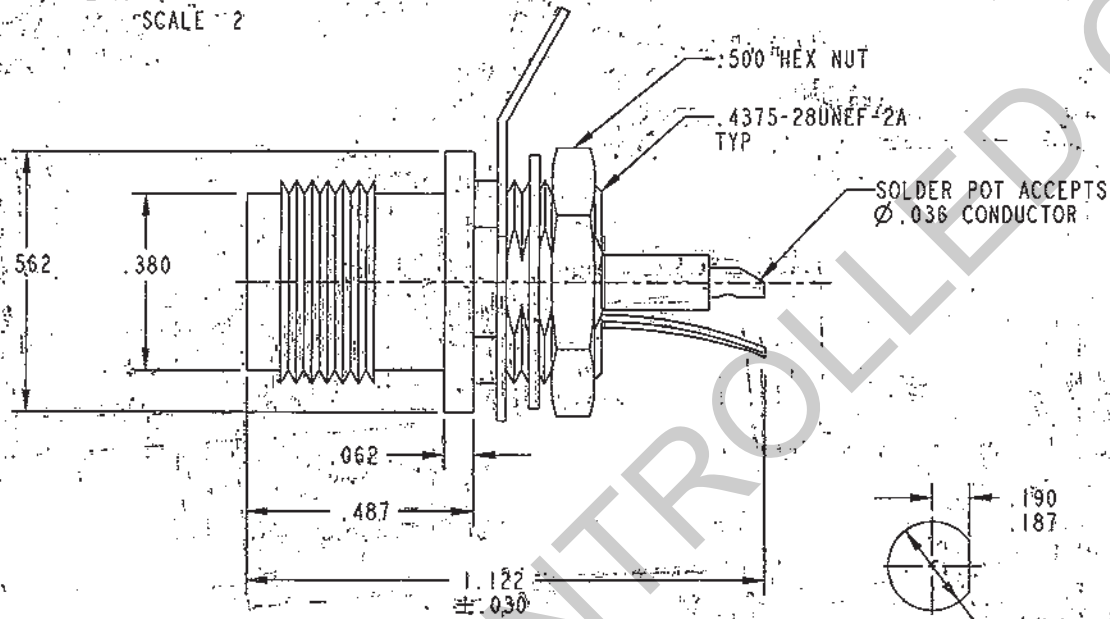


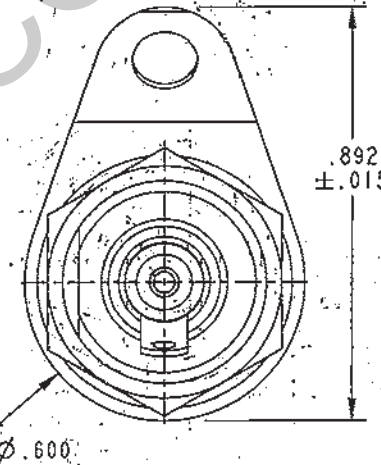
RED INDICATES ORIGINAL



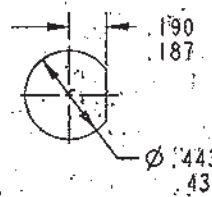
SCALE 2



REVISIONS			305-0013	SH 1	
REV	ECO NO.	DESCRIPTION	DWN	APPROVED	DATE
L	11328	REDRAWN IN PRO/E WITH CHANGE: SH. 2 "D" FLAT PIN DEPTH WAS .200 B/W P/N 8-2149-3 WAS 8-2149-2	SAC	<i>FW</i>	12/21/95



INCH	MM
.005	0.13
.015	0.38
.030	0.76
.036	0.91
.062	1.57
.125	3.18
.187	4.75
.190	4.83
.386	9.65
.439	11.15
.443	11.25
.487	12.37
.500	12.70
.562	14.27
.600	15.24
.892	22.66
1.122	28.50



RECOMMENDED PANEL CUTOUT SCALE 2/1

4. MAX PANEL THK .125

3. SOCKET CONTACT CONCENTRIC TWINAX/TRIAX TRT SOLDER POT BULKHEAD MOUNT RECEPTACLE

2. FINISH: TFS-1A (NICKEL)

1. ALL DIM ARE IN INCHES

QTY	DESCRIPTION	PART NUMBER	ITEM
TOL UNLESS SPECIFIED		BJ377	
.XX ± .005			
.XXX ± .005			
.XXXX ± .005			
22-04	DWG SAG 12-6-95	MATERIAL	CODE IDENT
105-1048	CHK <i>DMM</i> 12-14-95	—	14949
305-0398	ENGR		DRAWING NO. 305-0013
NEXT ASSY	APPR <i>FW</i> 12/21/95	SCALE 4/1	DATE 11-12-68 SHEET 1C