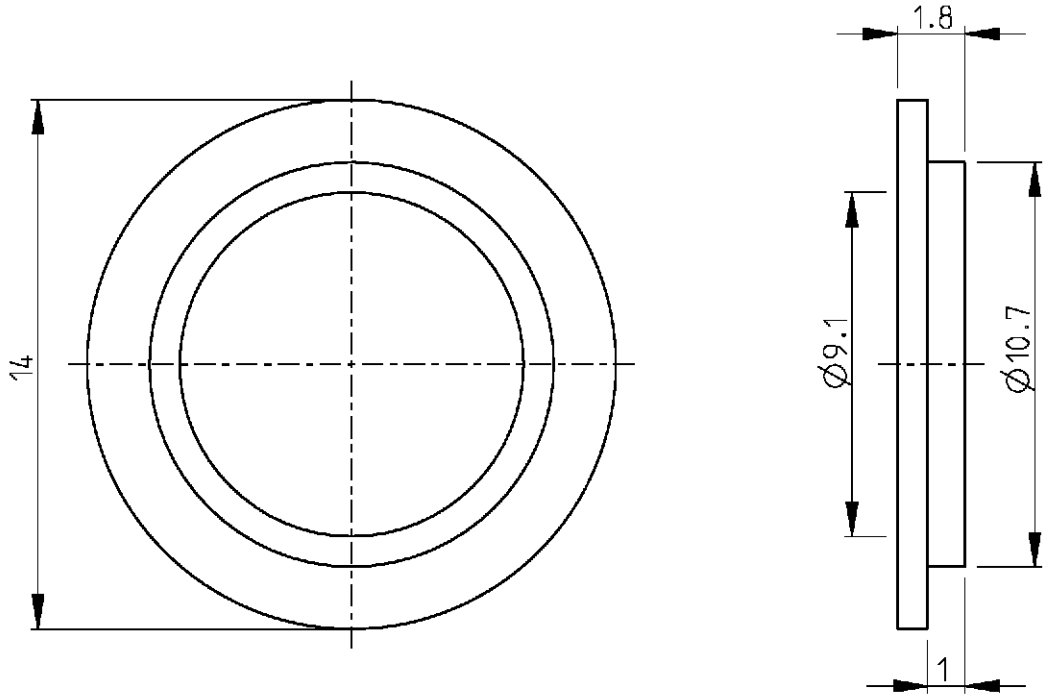
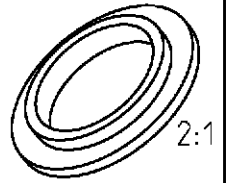
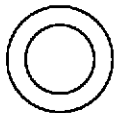


LOC	DIST	REVISIONS			
P	LTR	DESCRIPTION	DATE	DWN	APVD
GW	-	A	-	05APR2001	BL KM



Tolerance : ISO 8015 ISO 2768-m-R



1:1

Cross reference	
Old part number	Tyco part number
C23335-A803-C127	1393562-5

THIS DRAWING IS UNPUBLISHED. 2000

RELEASED FOR PUBLICATION BY TYCO ELECTRONICS CORPORATION. ALL RIGHTS RESERVED. COPYRIGHT 2000

DIMENSIONS: mm	DWN B. Lenvain	21FEB2001	MATERIAL	POM	FINISH	-
	CHR K. Mattheeuws	22FEB2001	Tyco Electronics Oostkamp - Belgium			
TOLERANCES UNLESS OTHERWISE SPECIFIED:	APVD D. Bozzer	23FEB2001				
0 PLC ±	PRODUCT SPEC	-	SIZE	CAGE CODE	DRAWING NO	RESTRICTED TO
1 PLC ±	APPLICATION SPEC	-	A 4	00779	C=1393562-5	-
2 PLC ±	WEIGHT	-	CUSTOMER DRAWING			
3 PLC ±			SCALE	5/1	SHEET	1 OF 1
4 PLC ±					REV	A
ANGLES ±						