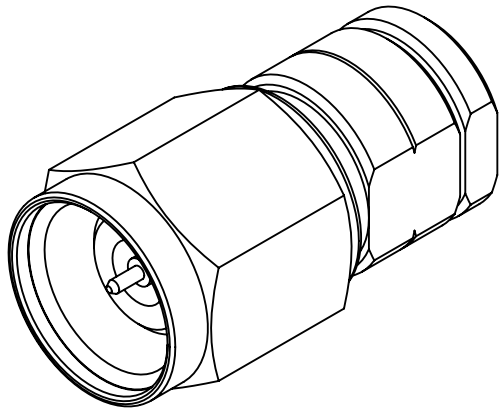
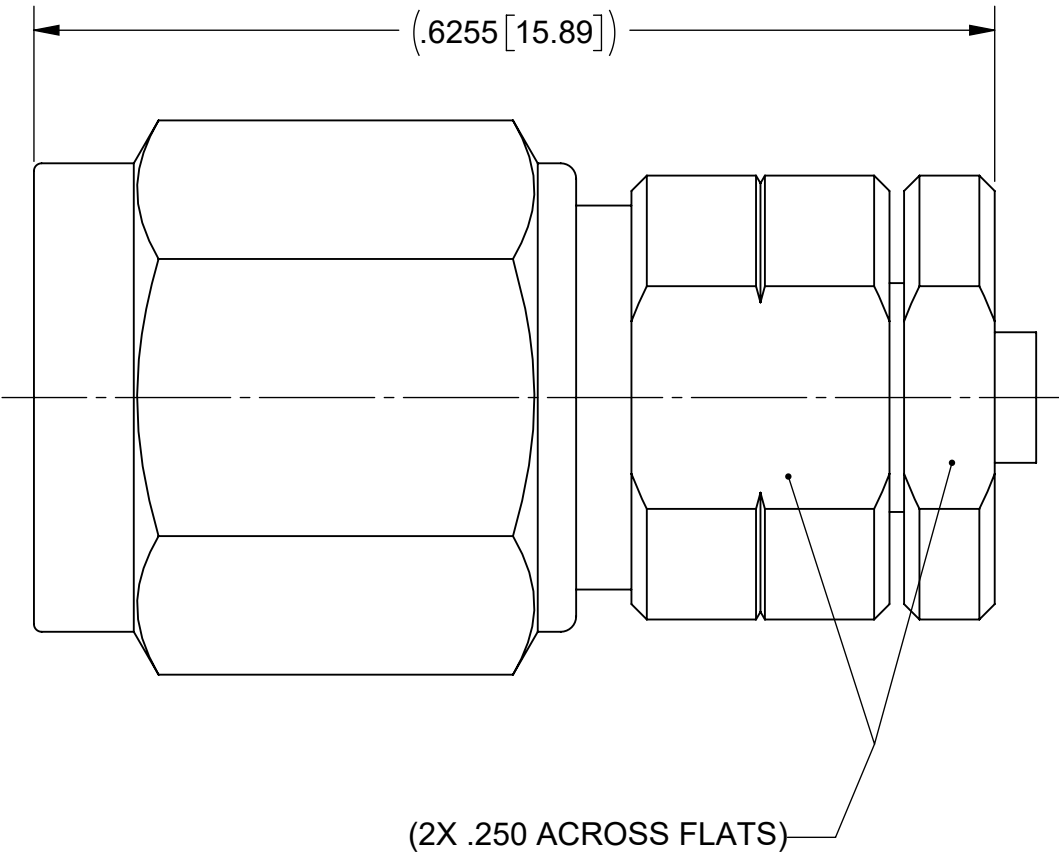
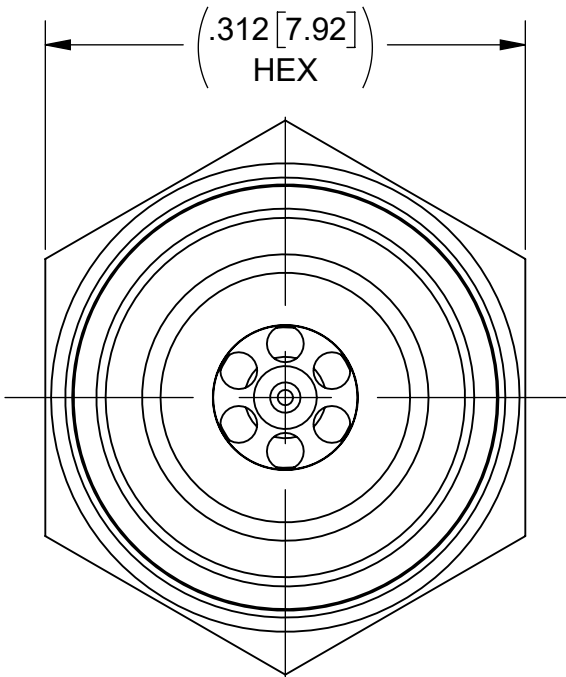


PRODUCT DATA DRAWING

REVISION HISTORY			
REV	DESCRIPTION	DATE	APPROVED
-	NRN 44601	03/22	JPM


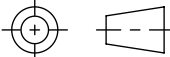


- MATERIAL:**
- BODY, SLEEVE, CLAMP NUT & COUPLING NUT: STAINLESS STEEL
 - LOCK RING, CONTACT & FERRULE: BERYLLIUM COPPER
 - BEAD: ULTEM
 - GASKET: SILICONE RUBBER
- FINISH:**
- BODY, SLEEVE, CLAMP NUT & COUPLING NUT: PASSIVATED

CONTACT & FERRULE: GOLD OVER NICKEL

PERFORMANCE:

IMPEDANCE: 50 OHMS
 FREQ. RANGE: DC TO 50.0 GHz

MATERIAL:	SEE NOTES	DIMENSIONS ARE IN INCHES TOLERANCES:	UNLESS OTHERWISE SPECIFIED	
FINISH:	SEE NOTES	FRACTIONAL: $\pm 1/64$ ANGULAR: X° $\pm 1'0''$ X°X' $\pm 15''$	1) ALL DIMENSIONS ARE IN INCHES (MILLIMETERS) 2) ALL DIMENSIONS ARE AFTER PLATING. 3) BREAK CORNERS & EDGES .005 R. MAX. 4) CHAM. 1ST & LAST THREADS. 5) SURFACE ROUGHNESS 63-MIL-STD-10. 6) DIA.'S ON COMMON CENTERS TO BE CONCENTRIC WITHIN .005 T.I.R. 7) REMOVE ALL BURRS	TITLE:
SURFACE AREA:	N/A	DECIMAL: X $\pm .030$.XX $\pm .010$.XXX $\pm .005$	INTERPRET DIMENSIONS AND TOLERANCES PER ASME Y14.5M - 1994	2.4mm EF PLUG FOR Ø.047 CABLE
PROPRIETARY		THIRD ANGLE PROJECTION		SIZE DWG. NO.
THE INFORMATION CONTAINED IN THIS DRAWING IS THE SOLE PROPERTY OF SV MICROWAVE, INC. ANY REPRODUCTION IN PART OR AS A WHOLE WITHOUT THE WRITTEN PERMISSION OF SV MICROWAVE, INC IS PROHIBITED.				1611-60028
			DRAWN: BNK 03/03/22	SCALE: 8:1
			CHECKED: SEE PDM	SHEET 1 OF 1
			APPROVED: SEE PDM	